

SANYO**STK4216MK10**

Thick Film Hybrid IC

2-Channel AF Power Amp**TENTATIVE**

Case Outline : 22 pins (See attached case outline drawing.)

Function : 2-channel AF power amp

Use : 70W audio use

Feature : Low-load (2Ω to 8Ω) use, on-chip muting transistorMaximum Ratings at $T_a = 25^\circ\text{C}$

			unit
Supply Voltage	V_{CC}	R_L is 4Ω or greater.	± 62.5 V
		R_L is 2Ω to less than 4Ω	± 55 V
Thermal Resistance	θ_{j-c}		1.3 $^\circ\text{C}/\text{W}$
Junction Temperature	T_j		150 $^\circ\text{C}$
Operating Case Temperature	T_C		125 $^\circ\text{C}$
Storage Temperature	T_{stg}		-30 to +125 $^\circ\text{C}$
Available Time for Load Shorted t		$V_{CC} = \pm 43.5\text{V}, R_L = 8\Omega, f = 50\text{Hz}, P_o = 70\text{W}$	1 sec

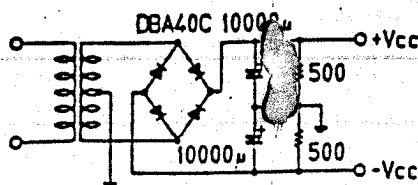
Operating Characteristics at $T_a = 25^\circ\text{C}, R_L = 4\Omega, R_g = 600\Omega, V_G = 40\text{dB}$,
 R_L : Non-inductive load

		min	typ	max	unit
Output Power	P_o (1)		100		W
	P_o (2)	70			W
	P_o (3)	70			W
Total Harmonic Distortion	THD			0.02	%
Frequency Characteristic	f_L, f_H		20 to 50k		Hz
Input Impedance	r_i		55		k Ω
Output Noise Voltage	V_{NO}			1.2	mVrms
Quiescent Current	I_{cco}	70	120	200	mA
Midpoint Voltage	V_N	-70	0	+70	mV
Muting Voltage	V_M	-2	-5	-10	V

Remarks

- For power supply at the time of test, use a constant-voltage power supply unless otherwise specified.
- For measurement of the available time for load shorted and output noise voltage, use the specified transformer power supply shown below.
- The output noise voltage is represented by the peak value on rms scale (VTVM) of average value indicating type. For AC power supply, use an AC stabilized power supply (50Hz) to eliminate the effect of flicker noise in AC primary line.

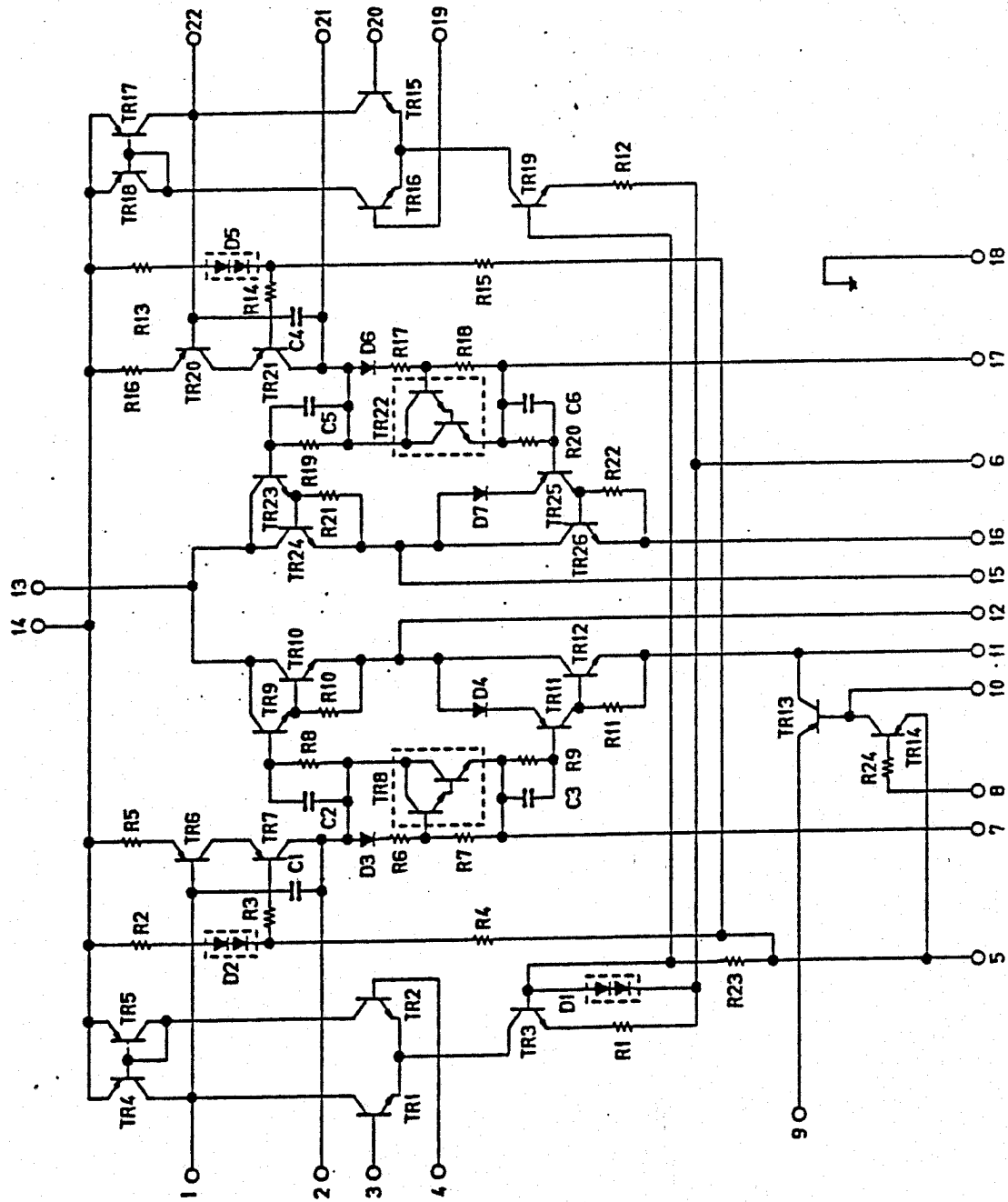
Specified transformer power supply
(Equivalent to MG-200)



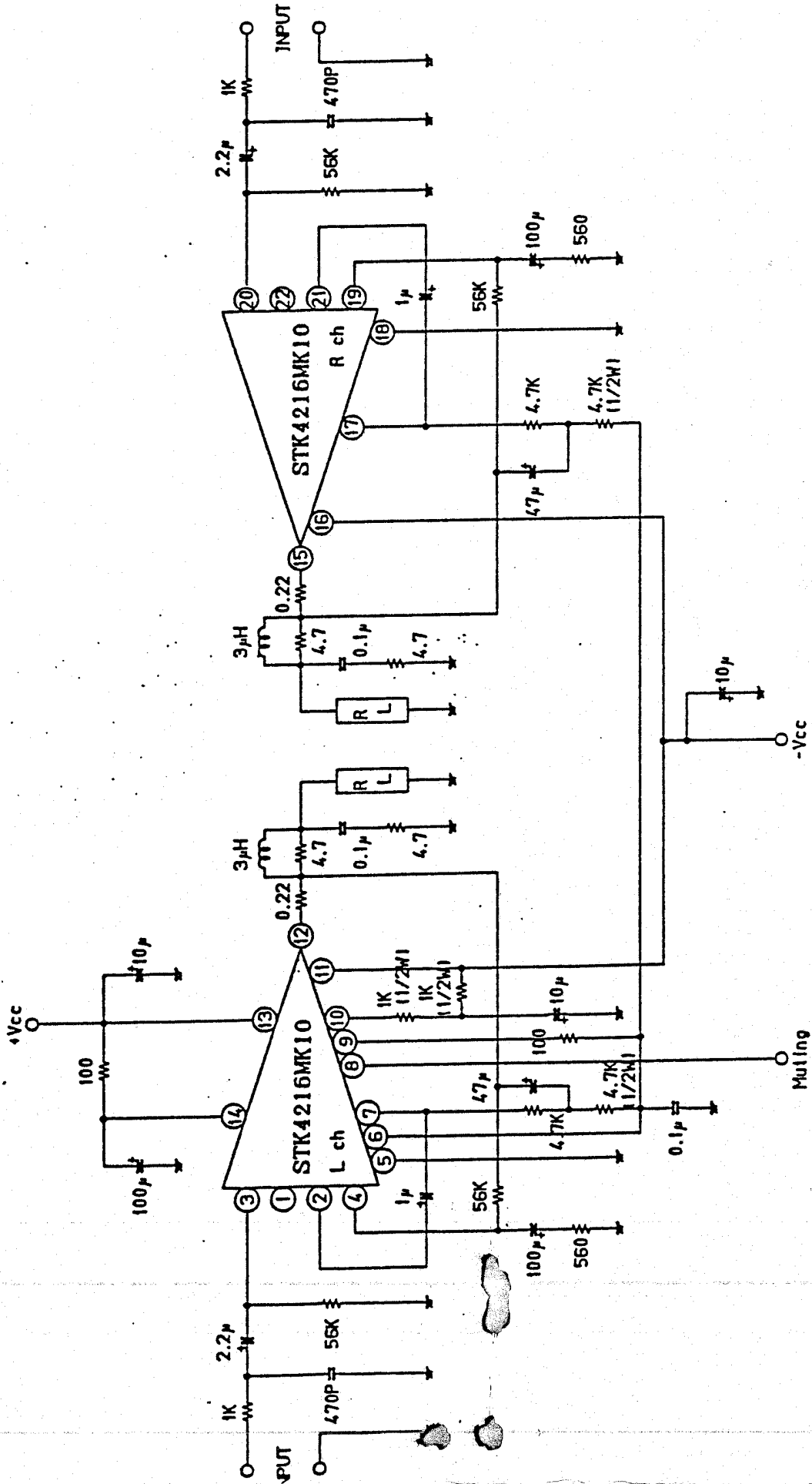
Specifications and information herein are subject to change without notice.

SANYO Electric Co., Ltd. Semiconductor & IC Overseas Marketing Div.
 Natsume Bldg., 18-6, 12-chome, Yushima, Bunkyo-ku, TOKYO 113 JAPAN

Internal Equivalent Circuit (STK4216MK10)



Test Circuit (STK4216MK10)



STK4216MK10

Case Outline (unit : mm)

