

# Service Manual

## AUTOMOTIVE AFTERMARKET



## CQ-VD6505U

Dual DIN In-Dash 6.5" Widescreen Color LCD Monitor/DVD Receiver



## Specifications\*

### General

Power Supply	DC 12V (11V - 16V), Test Voltage 14.4V Negative Ground
Current Consumption	Less than 10A (During Disc Playback)
Maximum Power Output	50W×4ch
Compatible Speaker Impedance	4Ω
Video Input Signal	Composite Video Signal, 1.0 Vp-p (75Ω)
Audio Input Sensitivity	2 Vrms
Video Output Signal	Composite Video Signal, 1.0 Vp-p (75Ω)
Pre-Amp Output Voltage	2 Vrms
Pre-Amp Output Impedance	Less than 600Ω

### FM Stereo Radio

Frequency Range	87.9 - 107.9MHz
Usable Sensitivity	12.2dBf
Stereo Separation	40dB (1kHz)
S/N Ratio	63dB

### AM Radio

Frequency Range	530 - 1710kHz
Usable Sensitivity	25 dB/μV
Image Rejection Ratio	50 dB

### Audio Section

Output voltage/Impedance	2 Vrms/600 Ω
Frequency Characteristics (When "LARGE" is Selected)	
Front L/R, Center, Rear (Surround) L/R	20Hz - 20kHz (±1 dB)

Delay Time	
Dolby Digital	
Center	0 -5 ms
Rear (Surround) L/R	0 -15 ms
Dolby Pro Logic	
Rear (Surround) L/R	15-30 ms
Distortion	
Front L/R	0.01% (1kHz,0dB,PCM Input)
Dynamic Range	96dB (During CD Playback)
S/N Ratio	100dB (During CD Playback)

### Monitor

Storage temperature range	-20°C -80°C (-4°F to -176°F)
Liquid Crystal Panel	6.5" wide
Screen Dimensions (W×H×D)	5-1/4" × 3-1/8" × 6-7/16" (134 × 79 × 164mm)
Number of Pixels	280,880 pixels (234 vertical × 400 horizontal × 3)
Valid Pixel Ratio	Over 99.99%
Display Method	Transparent color filter format
Drive Method	TFT (Thin Film Transistor) active matrix format
Light Source	Internal light (Built-in small fluorescent lamp)

**Dimensions\*\*** (W × H × D) 7" × 3-15/16" × 6-1/2"  
(178 × 100 × 165 mm)

**Weight\*\*** 5lbs. 8oz. (2.5 kg)

# Panasonic®

© 2007 Matsushita Electric Industrial Co., Ltd. All rights reserved. Unauthorized copying and distribution is a violation of law.

\* Specifications and the design are subject to possible modification without notice due to improvements.


\*\* Dimensions and Weight shown are approximate.

- Above specifications comply with EIA standards.

### **WARNING**

This service information is designed for experienced repair technicians only and is not designed for use by the general public. It does not contain warnings or cautions to advise non-technical individuals of potential dangers in attempting to service a product. Products powered by electricity should be serviced or repaired only by experienced professional technicians. Any attempt to service or repair the product or products dealt with in this service information by anyone else could result in serious injury or death.

### **IMPORTANT SAFETY NOTICE**

There are special components used in this equipment which are important for safety. These parts are marked by  in the Schematic Diagrams, Circuit Board Diagrams, Exploded Views and Replacement Parts List. It is essential that these critical parts should be replaced with manufacturer's specified parts to prevent shock, fire or other hazards. Do not modify the original design without permission of manufacturer.

## CONTENTS

	Page		Page
1 ABOUT LEAD FREE SOLDER (PbF) .....	3	11 PACKING PARTS LIST .....	17
2 FEATUERS .....	3	12 REPLACEMENT PARTS LIST .....	18
3 REPLACING THE FUSE .....	3	13 EXPLODED VIEW (Unit) .....	33
4 MAINTENANCE .....	3	14 DVD PLAYER PARTS LIST .....	34
5 LASER PRODUCTS .....	3	15 EXPLODED VIEW [DVD Deck] .....	38
6 DIMENSIONS .....	3	16 WIRING DIAGRAM .....	39
7 WIRING CONNECTION .....	4	17 SCHEMATIC DIAGRAM-1 .....	49
8 DISASSEMBLY INSTRUCTIONS .....	5	18 SCHEMATIC DIAGRAM-2 .....	53
9 TERMINALS DESCRIPTION .....	7	19 BLOCK DIAGRAM .....	61
10 PACKAGE AND IC BLOCK DIARAM .....	11	20 SCHEMATIC DIAGRAM for Printing with Letter Size .....	67

# 1 ABOUT LEAD FREE SOLDER (PbF)

Distinction of PbF PCB:

PCBs (manufactured) using lead free solder will have a PbF stamp on the PCB.

## Caution :

- Pb free solder has a higher melting point than standard solder; Typically the melting point is 50 - 70°F (30 - 40°C) higher. Please use a soldering iron with temperature control and adjust it to 700 ± 20°F (370 ± 10°C). In case of using high temperature soldering iron, please be careful not to heat too long.
- Pb free solder will tend to splash when heated too high (about 1100°F/600°C)
- This lead free solder will be used for the products after serial No. 1,000,001.

# 2 FEATUERS

- Simultaneous Multi-Device Connection (with Expansion Module (hub unit))
- Expansion Module (The optional Hub unit: CY-EM100U)
- Connectable devices
  - The optional adapter allows you to connect the optional Panasonic DVD changer unit (CX-DH801U).
  - The optional adapter allows you to connect the optional Panasonic CD changer unit (CX-DP880).
  - TV Tuner (The optional Panasonic TV tuner unit: CY-TUN153U).
  - The optional adapter allows you to connect the optional iPod® series.
    - <Controllable iPod/software version>
    - 3rd generation iPod/ver.2.3
    - 4rd generation iPod/ver.3.1
    - iPod Photo/ver. 1.2
    - iPod mini/ver. 1.4
    - iPod nano/ver. 1.0
  - XM Satellite Radio. (The optional XM receiver: XMD-1000)
  - Sirius Satellite Radio. (The optional Sirius Satellite receiver: SIR-PAN1)
  - Hands-Free Phone System (The optional Bluetooth hands-free kit: CY-BT100U).
- Integration of the monitor, FM/AM radio, DVD Video, Video CD player and CD/MP3/WMA player
- Built-in AV Input/Output Terminals.
- Built-in Dolby Digital decoder, DTS decoder.
- Built-in DSP.
- GUI (Graphic User Interface).
- CS Auto (Circle Surround Automotive).
- Touch Panel Operation.
- DVD-R, DVD-RW, Playback.
- ID code.

# 3 REPLACING THE FUSE

Use fuses of the same specified rating (15A). Using different substitutes or fuses with higher ratings, or connecting the unit directly without a fuse, could cause fire or damage to this unit.

# 4 MAINTENANCE

Your products is designed and manufactured to ensure a minimum of maintenance. Use a soft cloth for routine exterior cleaning. Never use benzine, thinner or other solvent.

# 5 LASER PRODUCTS

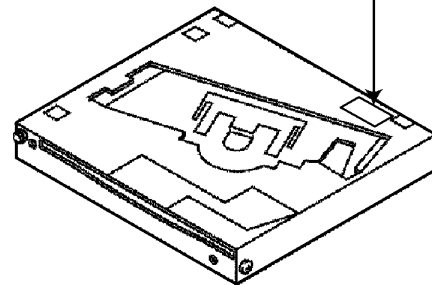
## CAUTION:

This product utilizes a laser diode with the unit turned "on", laser radiation is emitted from the pickup lens.

Laser radiation from the pickup lens is safety level, but be sure the followings:

1. Do not disassemble the optical pickup unit, since radiation from exposed laser diode is dangerous.
2. Do not adjust the variable resistor on the pickup unit. It was already adjusted.
3. Do not look at the focus lens using optical instruments.
4. Recommend not to look at pickup lens for a long time.

**DANGER!** Visible and invisible laser radiation when open. Avoid direct exposure to beam.



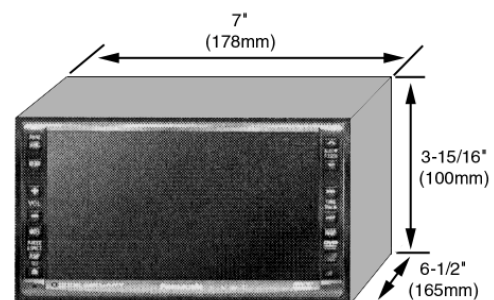
Deck Ass'y (Upper Side)

## Caution

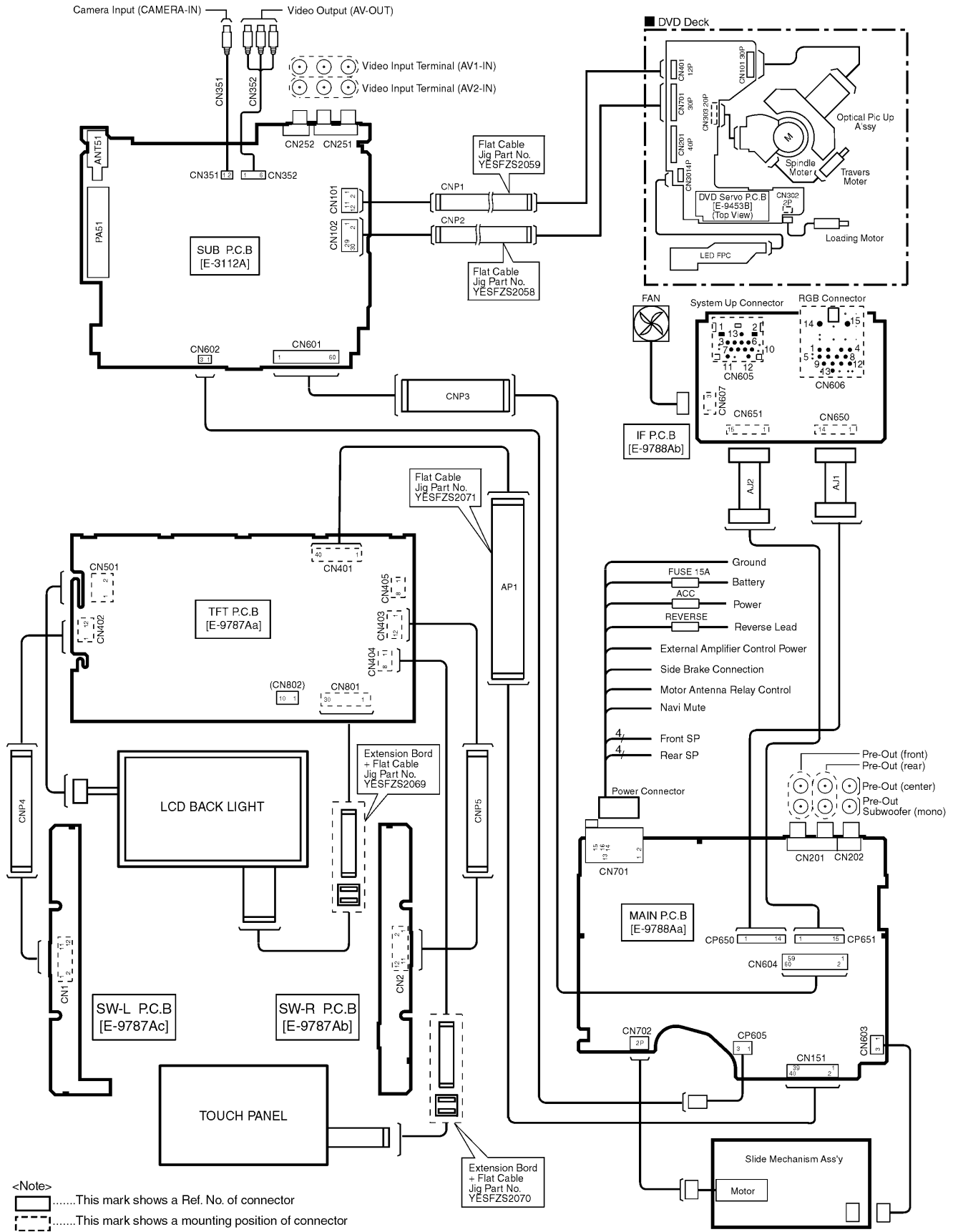
This Product utilizes a laser.

Use of controls or adjustments or performance of procedures other than those specified herein may result in hazardous radiation exposure.

# 6 DIMENSIONS



# 7 WIRING CONNECTION

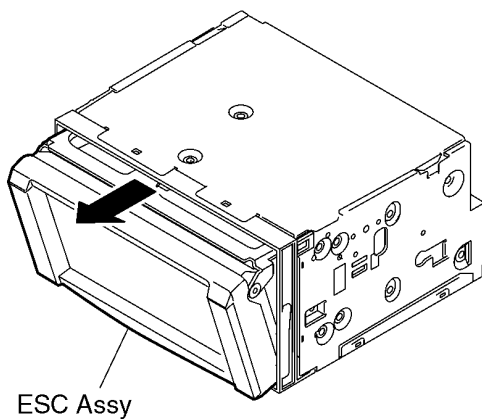


# 8 DISASSEMBLY INSTRUCTIONS

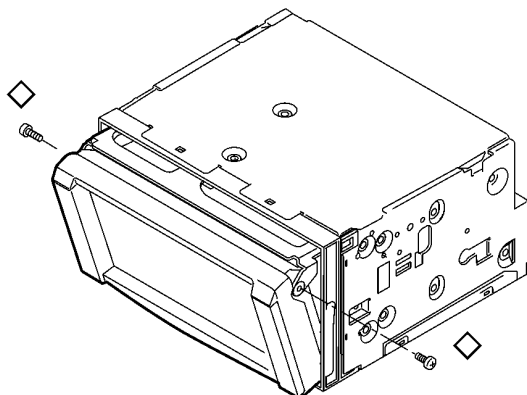
## 8.1 How to Remove the Flexible PCB(AP1)

### Disassembly of ESC Ass'y

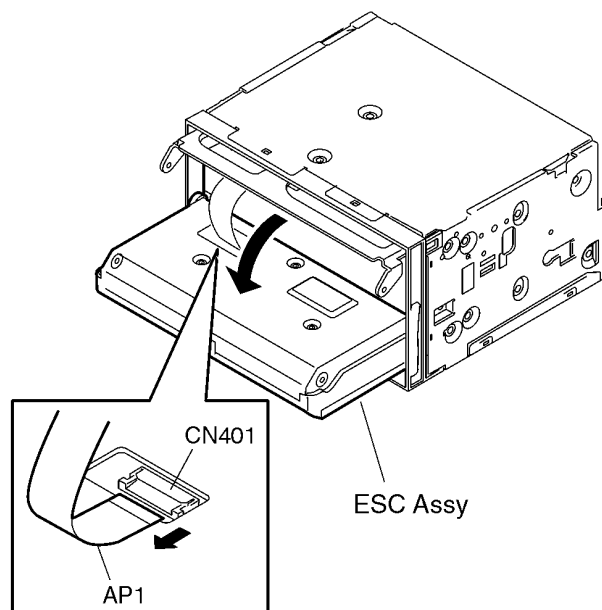
1. Turn the unit upsidedown and draw out the ESC Ass'y.



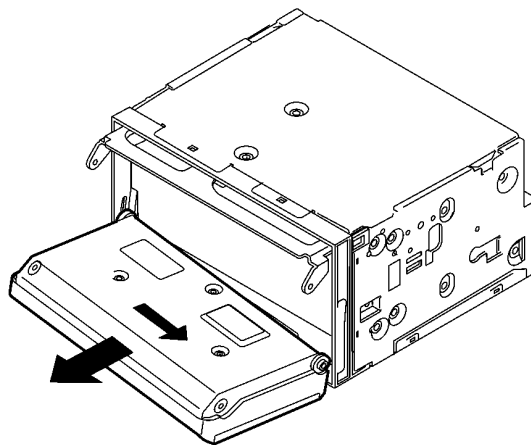
2. Remove the two screws(◇).



3. Bend the ESC Ass'y forward and remove the flexible PCB (AP1) from CN401(E-9787Aa) of the TFT.

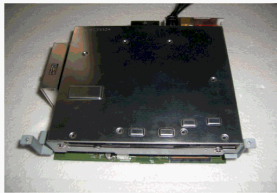


4. Pull the ESC Ass'y diagonally and remove it from the main unit.

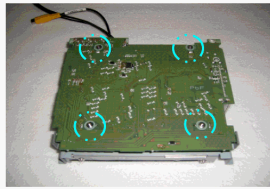


## 8.2. How to Disassemble & assemble

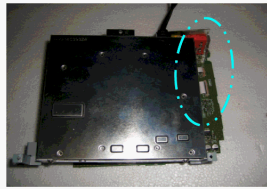
### How to disassemble



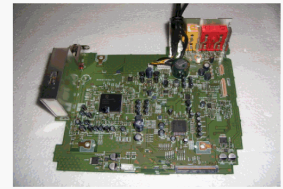
First remove from the main unit. The deck block and sub PCB must be set as shown above.



Remove the 4 screws from the back side of the sub PCB as shown above indicated in circles.

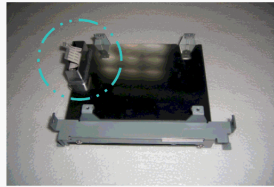


Set as shown above and release the lock on the deck flat cable 2. (Caution: The lock must not break)

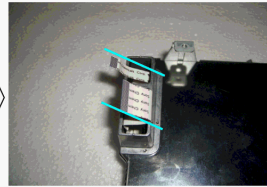


Remove the deck block. Then it is completed.

### How to assemble



Lightly push the flat cable as shown above and add a slight fold to it.



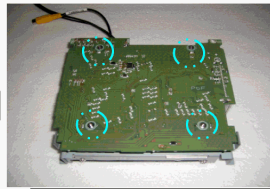
Straighten the root of the flat cable strengthener.



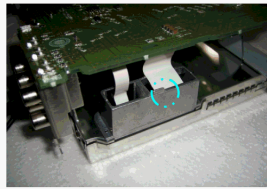
Lightly stretch the flat cable and set as shown above and insert the flat cable. (Caution: Must not be inserted diagonally)



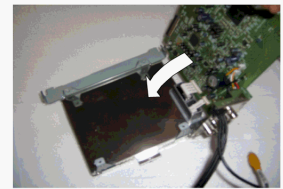
The assembly is completed.



Screw the 4 spots as shown above on the back side of the sub PCB.



The indicated 1 spot shown above must be attached.



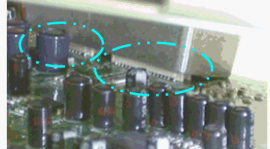
Be careful not to jam the flat cable and join the PCB to the deck block.

### Flat cable jamming caution

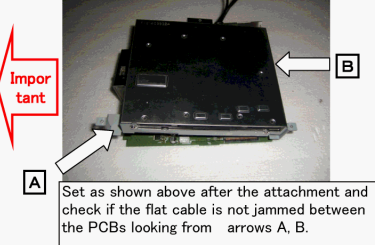


Looking from B  
Check that there are no tracks of flat cable jams.

### Flat cable jamming caution



Looking from A  
Check that there are no flat cable jams.



Set as shown above after the attachment and check if the flat cable is not jammed between the PCBs looking from arrows A, B.

# 9 TERMINALS DESCRIPTION

## 9.1. Main Block

IC601 : C2DBYY000231

Pin No.	Port	Description	I/O	Vol (V)
1	AVREF0	Reference voltage for A/D converter	-	3.2
2	AVSS	Ground for A/D converter	-	0
3	ANT CNT	Antenna control	O	3.2
4	RCA SW	Voice change of DVD-CH and HUB. H: HUB L:VTR2	O	0
5	AVREF1	Reference voltage for A/D converter	-	3.2
6	Touch RESET	Touch Panel reset	O	3.2
7	HUB CNT	HUB control. L: HUB CPU Communication	O	3.2
8	IC/FLMD0	Flash memory update control	-	0
9	VDD	+3V power supply	-	3.2
10	REGC	Bypass capacitor terminal for voltage reg.	-	2.5
11	VSS	Ground	-	0
12	X1	Crystal osillator terminal	I	1.1
13	X2	Crystal osillator terminal	-	1.2
14	/RESET	System reset	I	3.2
15	XT1	(Connecting to ground)	-	0
16	XT2	No Connection	-	-
17	EVENT	EVENT input (for HUB)	I	0
18	CH STB/XM DET2	Changer data strobe	I	5.0
19	RDS DATA	RDS data	I	3.3
20	RDS CLK	RDS clock	I	0
21	MAIN CNT	Main_Control (for HUB)	O	5.0
22	OSD CS	OSD chip select	O	1.0
23	OSD DO	OSD control data	O	0.6
24	OSD CLK	OSD data shift clock	O	2.2
25	XM TX(MO)	XM data	O	5.0
26	CH DATA/XM RX	Changer data	I	0
27	CH CLK/XM DET1	Changer clock / XM detection signal	I	3.1
28	REMO DATA	Ext. remote control signal	I	5.0
29	CHC REM OUT	Changer remote control code	O	5.1
30	I2C CLK	I2C bus clock	O	5.1
31	I2C DATA	I2C bus data	O	5.1
32	OSD RESET	OSD reset	O	3.2
33	EVSS	Ground for ext. unit	-	0
34	EVDD	+3V power supply for ext. unit	-	3.2
35	DVD TX(MO)	DVD deck TX data	O	3.2
36	DVD RX(MI)	DVD deck RX data	I	3.2
37	BEEP	Beep signal	O	0
38	AMP CNT	Ext. AMP control	O	3.2
39	AMP STB	Ext. AMP stand-by	O	5.0
40	TFT SI(MI)	TFT unit communication data	I	0
41	TFT SO(MO)	TFT unit communication data	O	0.5
42	TFT CLK	TFT unit communication clock	O	5.0
43	AMP MUTE	Internal power AMP mute	O	0
44	SYS ON	System power (5V) control for SW PCB	O	0
45	NAVI REMO OUT	NAVI remote control data	O	0
46	ENTER	ENTER key	I	3.3
47	FRONT MUTE	Audio signal (BEEP NAVI) mute	O	5.0
48	VD COUNT	Vertical drive signal count	I	5.0
49	REAR MUTE	Video out mute	O	5.0
50	SYSID1	Connected equipment recognition (for HUB)	I	5.0

Pin No.	Port	Description	I/O	Vol (V)
51	SYSID2	Connected equipment recognition (for HUB)	I	5.0
52	SYS MUTE (F)	System mute (FRONT)	O	5.0
53	SYS MUTE (S)	System mute (SURROUND)	O	5.0
54	SYS MUTE (C)	System mute (CENTER)	O	5.0
55	SYS MUTE(SW)	System mute (SW)	O	5.0
56	BATT SENS	Battery level detection	I	5.0
57	ACC SENS	ACC level detection	I	5.0
58	PULSE	Monitor position detection pulse	I	5.0
59	SYS PWR	System power control	O	5.0
60	MAIN PWR	Main power control	O	3.2
61	MONI PWR	Monitor power control	O	3.2
62	NAVI RM CH	NAVI remote control output change	O	0
63	SEC LED	LED blinking function for CodeSecurity emphasis	O	3.2
64	EJECT LED (NC)	No Connection	-	-
65	NAVI LED	NAVI LED on/off	O	0
66	MA	Drive mechanism control signal	O	3.2
67	MB	Drive mechanism control signal	O	3.2
68	MC	Drive mechanism control signal	O	3.2
69	BVSS	Ground for bus I/F	-	0
70	BVDD	Power supply for bus I/F	-	3.2
71	FAN CNT	Fan motor power control	O	3.2
72	ROTARY.1	Rotary encoder signal (VOL DOWN)	I	0
73	ROTARY.2	Rotary encoder signal (VOL UP)	I	3.3
74	INIT DET 2	Destination detection	I	0
75	RADIO CNT	Radio power control	O	3.2
76	DVD MUTE	DVD mute request / Flash memory update cnt.	I	3.3
77	DSP SCK	Shift clock for DSP communication data	O	2.8
78	DSP SDA	DSP communication data	O	3.1
79	DSP RESET	DSP reset	O	3.2
80	DVD CNT	DVD deck power control	O	3.2
81	DVD RESET	Reset signal for DVD deck control MPU	O	3.2
82	FRAM HOLD	F-RAM hold	O	0
83	FRAM CLK	Shift clock for F-RAM data	O	0
84	FRAM DO	F-RAM serial data	O	0
85	FRAM CS	F-RAM chip select	O	3.2
86	FRAM WP	F-RAM write protect	O	0
87	SW PWR	Switching power supply frequency change	O	0
88	MODE	MODE key detection	I	3.2
89	JOY A/D	ADC input terminal for joy stic signal	I	3.3
90	NAVI DISP	NAVI display activity detection	I	3.3
91	NAVI SENS	NAVI system connection detection	I	3.3
92	SIDE BRAKE	Side break detection	I	3.3
93	INIT DET	Destination detection	I	0
94	POSI SENS	ADC input terminal for monitor position signal	I	2.4
95	NAVI MUTE	NAVI mute	I	0
96	OFFSET DET	Power IC abnormality detection	I	0
97	AD KEY	ADC input terminal for AD key signal	I	3.3
98	REVERSE	REVERSE signal detection	I	3.3
99	FRAM DI	F-RAM serial data	I	0
100	V_NAVI	NAVI RGB signal change	O	0

## 9.2. TFT Block

**IC401 : C2BBYY000199**

Pin No.	Port	Description	I/O	Vol (V)
1	MONI CNT	TFT monitor power supply control output	O	4.9
2	BL CNT	Backlight control output	O	4.9
3	TILT LED (NC)	TILT button LED control	-	-
4	ASPECT LED (NC)	LED control of ASPECT button	-	-
5	EJECT LED	EJECT_LED control	O	-
6	NAVI LED	NAVI LED control	O	-
7	SRC LED	SOURCE button LED control	O	-
8	NC	NC(GND connection)	I	0
9	SELF WRITE	Self writing switch output	O	0
10	TFT RESET	System reset input	-	5.0
11	NC	NC(GND connection)	I	0
12	NC	NC(GND connection)	I	0
13	IC/ Vpp	Internal connection and flash memory programming mode drawing in	-	0
14	X2	Crystal oscillator clock	I	2.7
15	X1	Crystal oscillator clock	I	2.4
16	REGC	Regulator output stability capacity connection	-	2.5
17	VSS	Grand potential for in	-	0
18	EVSS	Grand potential for external	-	0
19	VDD	Positive power supply for in	-	4.9
20	EVDD	Positive power supply for external	-	4.9
21	SCL	I2C bus clock output for DAC	O	4.9
22	SDA	I2C bus data output for DAC	O	4.9
23	NC	NC(OPEN)	-	-
24	NC	NC(OPEN)	-	-
25	NC	NC(OPEN)	-	-
26	NC	NC(OPEN)	-	-
27	NC	NC(OPEN)	-	-
28	NC	NC(OPEN)	-	-
29	NC	NC(OPEN)	-	-
30	NC	NC(OPEN)	-	-
31	NC	NC(OPEN)	-	-
32	NC	NC(OPEN)	-	-
33	NC	NC(OPEN)	-	-
34	NC	NC(OPEN)	-	-
35	NC	NC(OPEN)	-	-
36	NC	NC(OPEN)	-	-
37	NC	NC(OPEN)	-	-
38	HD IN	HD signal input	I	4.4
39	VD IN	PAL N/PALM judgment VD signal input	I	4.7
40	NC	NC(OPEN)	-	-
41	NC	NC(OPEN)	-	-
42	NC	NC(OPEN)	-	-
43	NC	NC(OPEN)	-	-
44	NC	NC(OPEN)	-	-
45	OSD CSEL (NC)	NC(OPEN)	-	-
46	X-	Transistor SW output for touch panel side X ( - pole)	O	0
47	Y-	Transistor SW output for touch panel side Y ( - pole)	O	0
48	X+	Transistor SW output for touch panel side X ( + pole)	O	4.9
49	Y+	Transistor SW output for touch panel side Y ( + pole)	O	4.9
50	RX	For Flash rewriting	I	0.5
51	TX	For Flash rewriting	O	0
52	IP SO	IP Serial data output	O	0
53	IP SI	IP Serial data input	I	0

Pin No.	Port	Description	I/O	Vol (V)
54	IP SCK	IP Serial clock output	O	0
55	IP STR	IP STR control	O	0
56	IP RESET	IP RESET output	O	0
57	NC	NC(OPEN)	-	-
58	NC	NC(OPEN)	-	-
59	AVREF	Reference voltage input 0 of A/D converter	-	4.9
60	AVSS	A/D converter grand potential	-	0
61	XG	Touch panel side X with respect to - pole	I	0
62	YG	Touch panel side Y with respect to - pole	I	1.2
63	XR	Touch panel side X with respect to + pole	I	0
64	YR	Touch panel side Y with respect to - pole	I	1.2
65	LIGHT SENS	DIMMER input	I	3.9
66	A/D KEY	A/D key input for TILT and OPEN/CLOSE	I	4.9
67	A/D KEY	GND connection	I	0
68	A/D KEY	GND connection	I	4.9
69	NC	NC(OPEN)	-	-
70	TFT CLK	Serial communications clock for the main CPU	I	4.9
71	TFT SO/ TFT COM	Serial communications data input for the main CPU	I	0.6
72	TFT SI/ TFT DATA	Serial communications data output for the main CPU	O	0.4
73	Touch SW	Switch output for touch panel SW detection	O	4.1
74	NC	NC(OPEN)	-	-
75	NC	NC(OPEN)	-	-
76	NC	NC(OPEN)	-	-
77	NC	NC(OPEN)	-	-
78	NC	NC(OPEN)	-	-
79	NC	NC(OPEN)	-	-
80	BUS KILL	For connected confirmation of self adjustment treatment device	I	0



## 9.3. DVD Servo Block

### IC501 C1AB00002402

Pin No.	Port	Descriptions	I/O	Vol (V)
1	VDDIO	I/O pad power (3.3V)	-	3.3
2	MD10	SDRAM data bus	I/O	0
3	MD11	SDRAM data bus	I/O	0.6
4	VDD	Core power (1.8V)	-	1.8
5	MD12	SDRAM data bus	I/O	0
6	VSSIO	I/O pad ground	-	0
7	MD13	SDRAM data bus	I/O	0.7
8	MD14	SDRAM data bus	I/O	0.5
9	MD15	SDRAM data bus	I/O	0
10	VDDIO	I/O pad power (3.3V)	-	3.3
11	/DQM1	SDRAM data byte enable	0	0
12	MA9	SDRAM address bus	0	0
13	MA8	SDRAM address bus	0	0
14	VSSIO	I/O pad ground	-	0
15	MA7	SDRAM address bus	0	2.3
16	MA6	SDRAM address bus	0	1.9
17	VSS	Core ground	-	0
18	MA5	SDRAM address bus	0	1.1
19	VDDIO	I/O pad power (3.3V)	-	3.3
20	MA4	SDRAM address bus	0	2.0
21	MA3	SDRAM address bus	0	2.3
22	MCLK	SDRAM clock	0	1.7
23	VSSIO	I/O pad ground	-	0
24	CKE	SDRAM clock enable	0	3.3
25	MA2	SDRAM address bus	0	2.3
26	MA1	SDRAM address bus	0	1.0
27	VDDIO	I/O pad power (3.3V)	-	3.3
28	MA0	SDRAM address bus	0	1.0
29	MA10	SDRAM address bus	0	0
30	MA11	Not used	-	-
31	VSSIO	I/O pad ground	-	0
32	MA12	SDRAM address bus	0	2.1
33	MA13	SDRAM address bus	0	2.1
34	VDD	Core power (1.8V)	-	1.8
35	/CS0	SDRAM primary bank chip select	0	2.7
36	VDDIO	I/O pad power (3.3V)	-	3.3
37	/RAS	SDRAM command bit	0	3.1
38	/CAS	SDRAM command bit	0	2.9
39	/WE	SDRAM command bit	0	3.2
40	VSSIO	I/O pad ground	-	0
41	/DQM0	SDRAM data byte enable	0	0
42	/DQM2	SDRAM data byte enable	0	0
43	MD16	SDRAM data bus	I/O	0.5
44	VDDIO	I/O pad power (3.3V)	-	3.3
45	MD17	SDRAM data bus	I/O	0.5
46	MD18	SDRAM data bus	I/O	0.5
47	VSS	Core ground	-	0
48	MD19	SDRAM data bus	I/O	0.7
49	VSSIO	I/O pad ground	-	0
50	MD20	SDRAM data bus	I/O	0
51	MD21	SDRAM data bus	I/O	1.5
52	MD22	SDRAM data bus	I/O	1.0
53	VDDIO	I/O pad power (3.3V)	-	3.3
54	MD23	SDRAM data bus	I/O	0
55	MD24	SDRAM data bus	I/O	0.5
56	MD25	SDRAM data bus	I/O	0.5
57	VSSIO	I/O pad ground	-	0
58	MD26	SDRAM data bus	I/O	0.5
59	MD27	SDRAM data bus	I/O	0.8
60	MD28	SDRAM data bus	I/O	0
61	MD29	SDRAM data bus	I/O	1.0
62	VDDIO	I/O pad power (3.3V)	-	3.3
63	MD30	SDRAM data bus	I/O	0.7
64	MD31	SDRAM data bus	I/O	0.5
65	/DQM3	SDRAM data byte enable	0	0
66	/CS1	Not used	0	-
67	VSSIO	I/O pad ground	-	0
68	SPDIF	S/PDIF digital audio output	0	1.3
69	VSS	Core ground	-	0

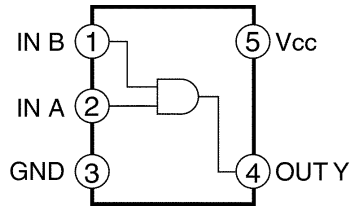
Pin No.	Port	Descriptions	I/O	Vol (V)
70	AIN	Digital audio input for digital micro	I	3.3
71	AOUT3	Serial audio data (Left/Right CH)	0	0
72	AOUT2	Serial audio data (Center/LFE CH)	0	0
73	AOUT1	Serial audio data (Sound Left/Right CH)	0	0
74	AOUT0	Serial audio data (Left/Right CH)	0	0
75	VDDIO	I/O pad power (3.3V)	-	3.3
76	PCMCLK	Audio DAC PCM sampling clock	0	1.8
77	VDD	Core power (1.8V)	-	1.8
78	ACLK	Audio interface serial data clock	0	1.7
79	LRCLK	Left/Right channel clock	0	1.7
80	/SRST	Reset signal	0	3.3
81	/RSTP	Power on reset	I	3.3
82	VSSIO	I/O pad ground	-	0
83	RXD1	Not used	-	-
84	SSPIN1	SSP1 data in / UART1 16X clock	I/O	15
85	VSS	Core ground	-	0
86	SSPOUT1	SSP1 sata out / UART1 DTR	I/O	0
87	SSPCLK1	SSP1 clock / UART1 CTS	I/O	3.3
88	SSPCLK0	Not used	-	-
89	VDD	Core power (1.8V)	-	1.8
90	SSIN0	Not used	-	-
91	VDDIO	I/O pad power (3.3V)	-	3.3
92	SSPOUT0	Not used	-	-
93	TXD0	UART0 serial data	0	3.2
94	RXD0	UART0 serial data	I	3.0
95	/CTS0	Not used	-	-
96	/RTS0	Not used	-	-
97	VSSIO	I/O pad ground	-	0
98	CXI	Crystal Oscillator terminal	I	1.6
99	CXO	Not used	-	-
100	OSCVSS	Oscillator ground	-	0
101	OSCVDD	Oscillator power (1.8V)	-	1.8
102	MVCLVDD	Main/Video clock PLL power (3.3V)	-	3.3
103	SCEN	Not used	-	-
104	MVCKVSS	Main/Video clock PLL Ground	-	0
105	ACLKVSS	Audio clock PLL ground	-	0
106	SCMD	Not used	-	-
107	ACLKVDD	Audio clock PLL power	-	3.3
108	VDDDAC	DAC digital power (1.8V)	-	1.8
109	VSSDAC	DAC digital ground	-	0
110	CVBS2/CR/R	Composite Cr/Component Cr/SCART Red	0	0.5
111	IOM	Cascaded DAC differential output	0	1.0
112	C/CB/B	Chrominance/Component Cb/SCART Cb	0	0.7
113	VAA3	DAC analog power (3.3V)	-	3.3
114	Y/G	Luminance/SCART G	0	0.4
115	VSSA	DAC analog ground	-	0
116	VREF	Not used	-	-
117	VAA	-	-	1.8
118	CVBS/C	Composite/S-Video Chrominance	0	0.5
119	RSET	Current setting resistor connection	0	1.4
120	COMP	Compensation capacitor connection	0	2.0
121	VSS	Core ground	-	0
122	VCLK	Not used	-	-
123	VSYNC	Not used	-	-
124	HSYNC	Not used	-	-
125	VDDIO	I/O pad power (3.3V)	-	3.4
126-131	VI07-02	Not used	-	-
132	VSSIO	I/O pad ground	-	0
133	Not used	-	-	-
134	Not used	-	-	-

Pin No.	Port	Descriptions	I/O	Vol (V)
135	VDD	Core power (1.8V)	-	1.9
136-139	AD31-28	Not used	-	-
140	VDDIO	I/O pad power (3.3V)	-	3.4
141-144	AD27-24	Not used	-	-
145	/PWE3	Not used	-	-
146	AD23	Not used	-	-
147	VSSIO	I/O pad ground	-	0
148-150	AD22-20	Not used	-	-
151-153	AD19-17	Address/Data bus	I/O	0
154	VDDIO	I/O pad power (3.3V)	-	3.4
155	AD16	Address/Data bus	I/O	0
156	/PWE2	Not used	-	-
157, 158	AD15, 14	Address/Data bus	I/O	0
159	VDD	Core power (1.8V)	-	1.9
160	SCLK	External bus clock	O	2.1
161	ACK	Programmable WAIT/ACK/RDY control	I	3.4
162	VSSIO	I/O pad ground	-	0
163-168	AD13-08	Address/Data bus	I/O	0
169	VDDIO	I/O pad power (3.3V)	-	3.4
170	/PWE1	Not used	-	-
171	VSS	Core ground	-	0
172-176	AD7-3	Address/Data bus	I/O	0
177	VSSIO	I/O pad ground	-	0
178-180	AD02-00	Address/Data bus	I/O	0
181	VDDIO	I/O pad power (3.3V)	-	3.4
182	/PWE0	Byte write enable	O	0
183	ALE	Address latch enable	O	0
184-187	LA0-3	Latch address	O	3.3
188	VSSIO	I/O pad ground	-	0
189	RD	Read signal	O	3.4
190	LHLDA	Not used	-	-
191	LHLD	Not used	-	-
192	VDD	Core power (1.8V)	-	1.9
193	/PCS0	Peripheral chip select 0	O	3.4
194	XI01	Not used	-	-
195	DACCS2	DAC output select 2	O	3.4
196	VDDIO	I/O pad power (3.3V)	-	3.4
197	DACCS1	DAC output select 1	O	3.4
198	NINTCPPM	Not used	-	-
199	CPPMCS	Not used	-	-
200	XI06	Not used	-	-
201	VSS	Core ground	-	0
202	FRAMCS	FRAM chip selection	O	0
203	DACRST	DAC reset	O	0
204	VSSIO	I/O pad ground	-	0
205	FEPCS	Front End Pro. LSI chip select	O	3.4
206	FEPRST	Front End Pro. reset	O	3.4
207	SODCCS	SODC LSI chip selection	O	3.4
208	NINTHOST	HOST interrupt	I	3.4
209	NINTDDC	DDC interrupt	I	3.2
210	VDDIO	I/O pad power (3.3V)	-	3.4
211	NINTDSC	DSC interrupt	I	3.5
212	VDD	Core power (1.8V)	-	1.9
213	DSYNV	DVD parallel mode sector SYNC	I	3.4
214	DREQ	DVD parallel mode data request	O	3.4
215	DCLK	Data sampling clock	I	3.4
216	DSTB	Parallel mode data valid/Serial mode clock	I	0.7
217	DVD0	DVD drive parallel data port	I	0
218	VSSIO	I/O pad ground	-	0
219	DVD1	DVD drive parallel data port	I	0
220	DVD2	DVD drive parallel data port	I	0
221	DVD3	DVD drive parallel data port	I	3.4
222	DVD4	DVD drive parallel data port	I	0.8
223	DVD5	DVD drive parallel data port	I	0.8

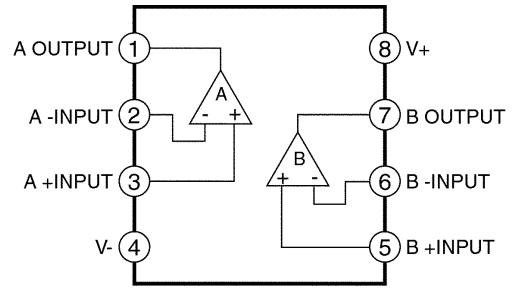
Pin No.	Port	Descriptions	I/O	Vol (V)
224	VDDIO	I/O pad power (3.3V)	-	3.4
225	DVD6	DVD drive parallel data port	I	3.4
226	DVD7	DVD drive parallel data port	I	3.4
227	MD0	SDRAM data bus	I/O	0.5
228	VSSIO	I/O pad ground	-	0
229	MD1	SDRAM data bus	I/O	0
230	VSS	Core ground	-	0
231	MD2	SDRAM data bus	I/O	0.8
232	MD3	SDRAM data bus	I/O	0.8
233	VDDIO	I/O pad power (3.3V)	-	3.3
234	MD4	SDRAM data bus	I/O	3.3
235	MD5	SDRAM data bus	I/O	0
236	MD6	SDRAM data bus	I/O	0.8
237	VSSIO	I/O pad ground	-	0
238	MD7	SDRAM data bus	I/O	0
239	MD8	SDRAM data bus	I/O	0
240	MD9	SDRAM data bus	I/O	0

# 10 PACKAGE AND IC BLOCK DIARAM

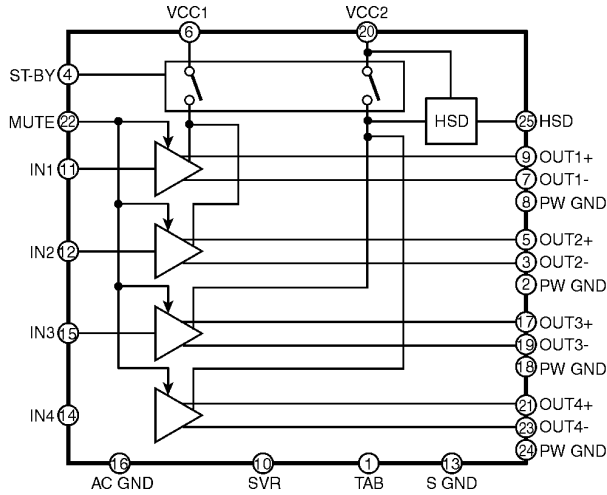
## 10.1. Main Block



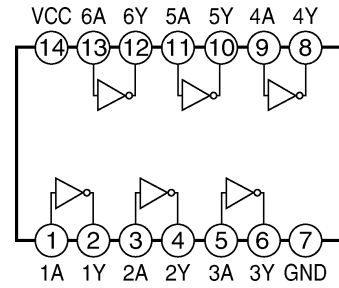
IC151 : C0JBAA000115



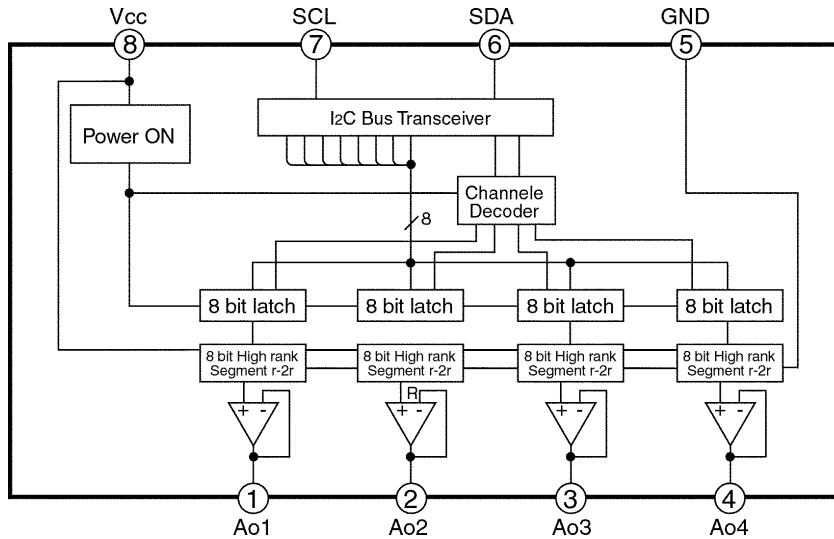
IC203, IC301, IC302 : C0ABBB000105



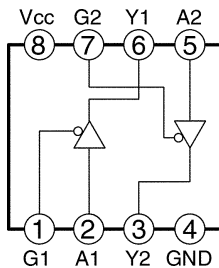
IC200 : C1ZAZ0001450



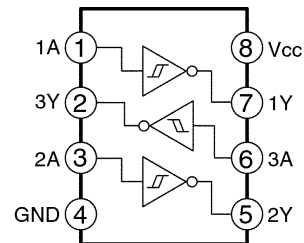
IC608 : C0JBAB000255



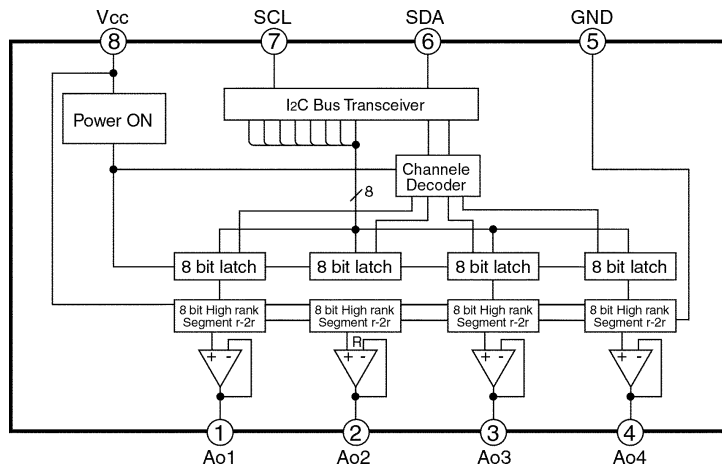
IC303 : C0ZBZ0000770



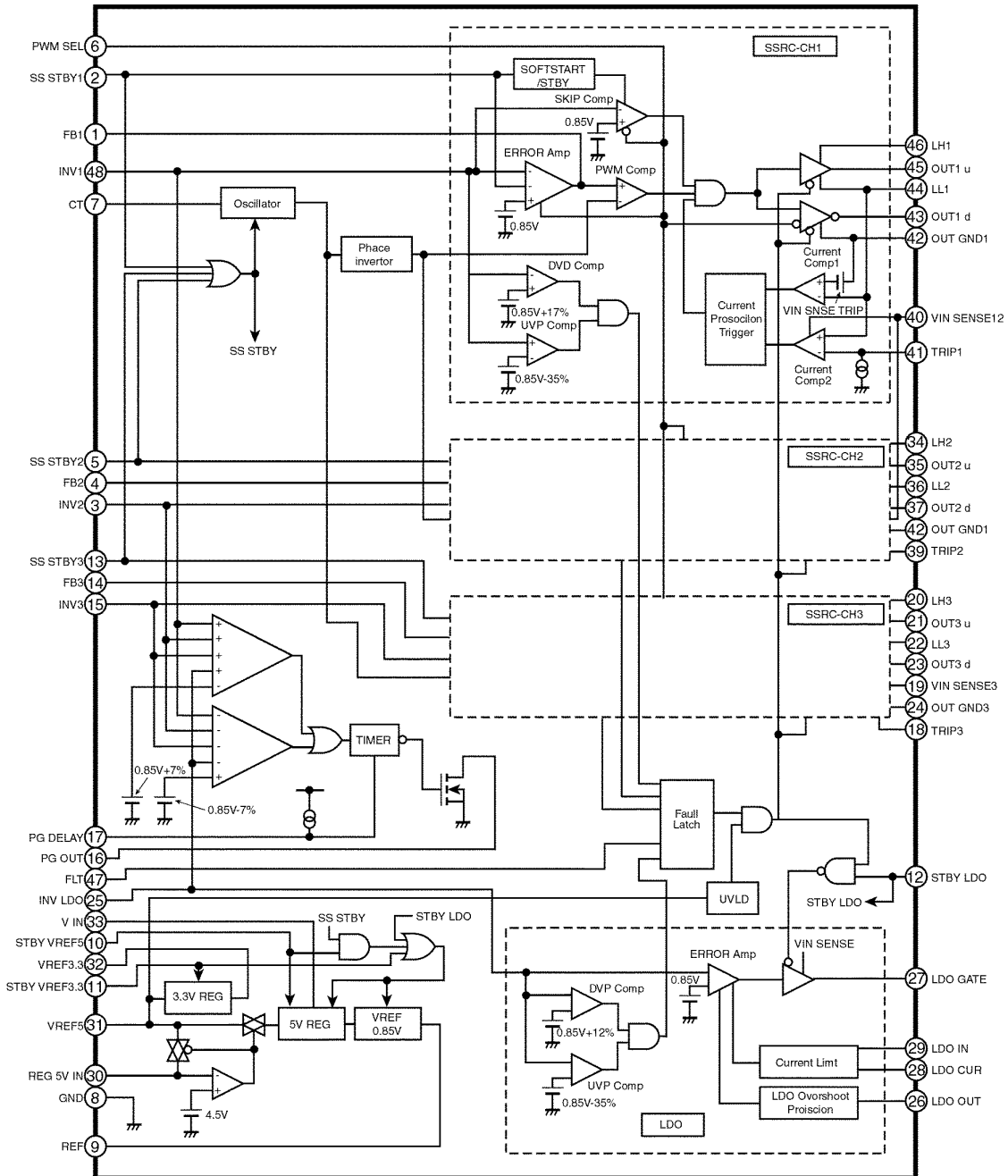
IC610 :  
C0JBZA001166



IC611 : C0JBZA002192

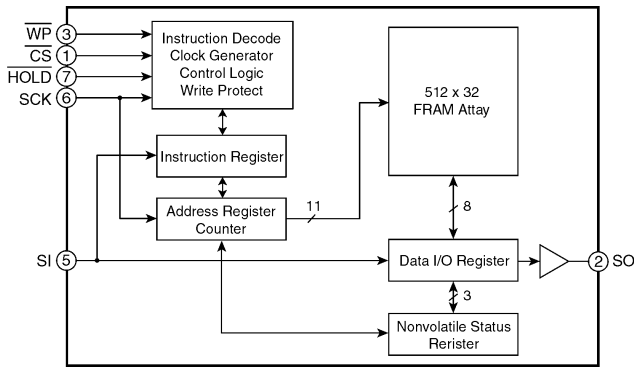


IC612 : C0FBBD000065

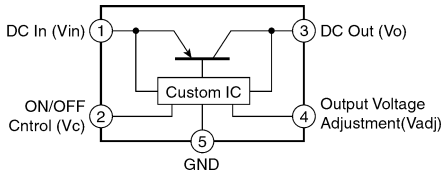


IC754 : C0DBAMG00015

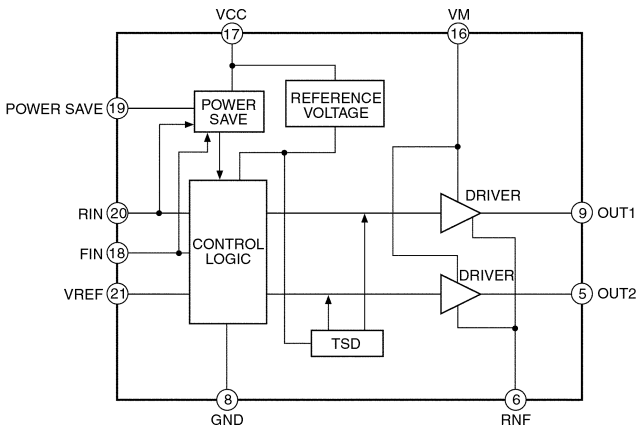
## 10.2. Sub Block



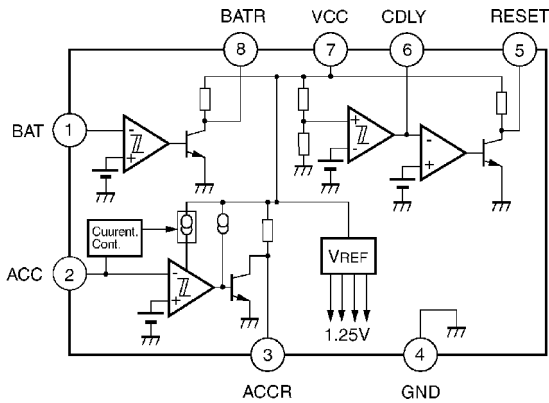
IC602 : C3GBCY000001



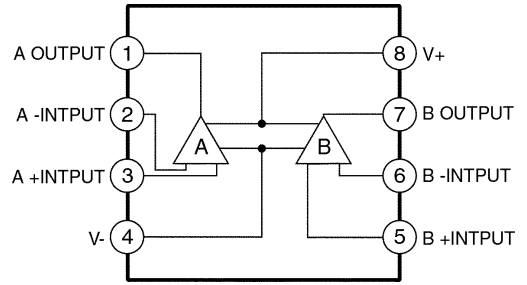
IC710 : C0CBCYG000004



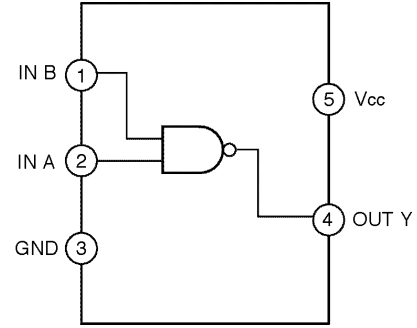
IC711 : C0GBG0000032



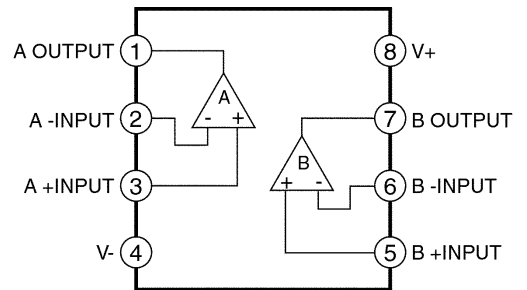
IC751 : AN8065S-E1V



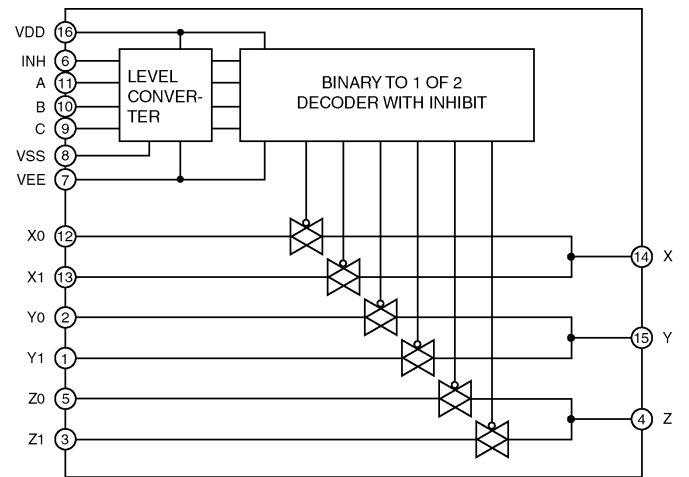
IC101 : C0ABBB000090



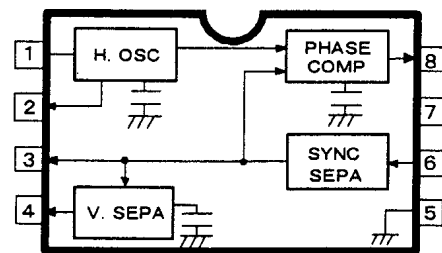
IC102 : C0JBAA000102



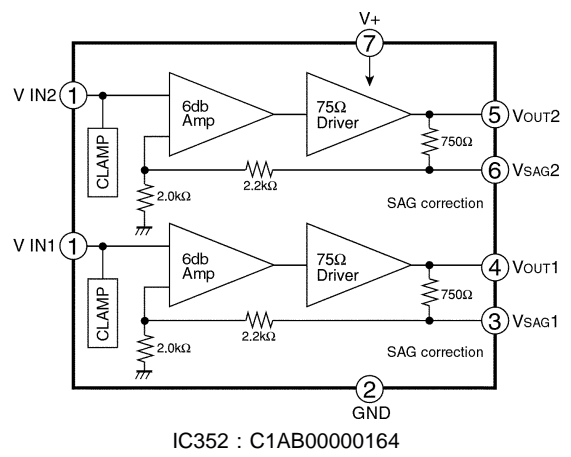
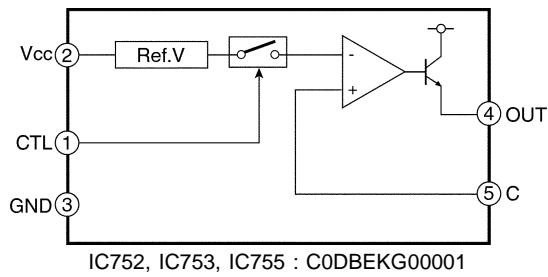
IC252 : C0ABBB000105



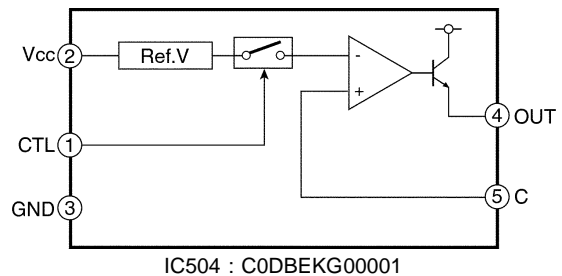
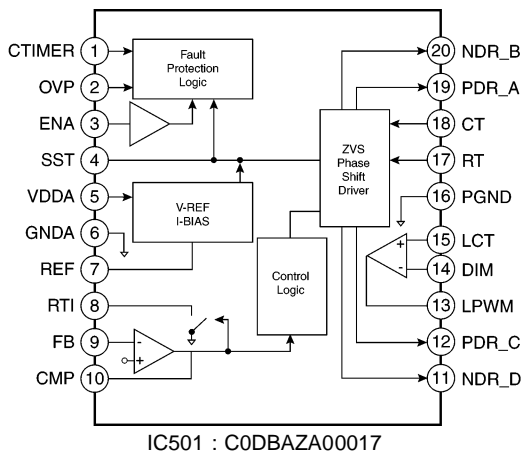
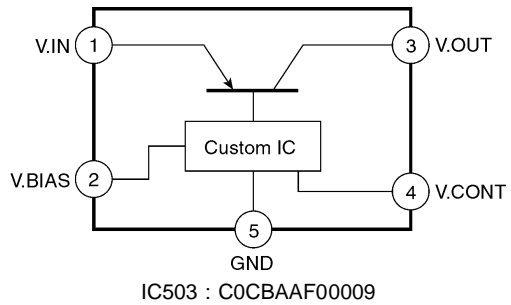
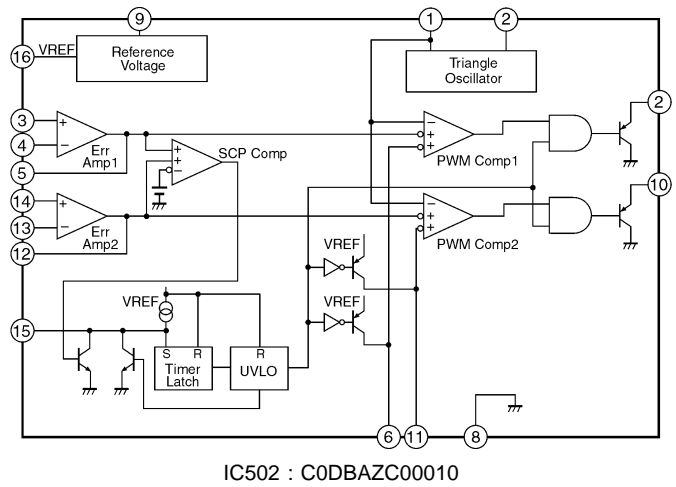
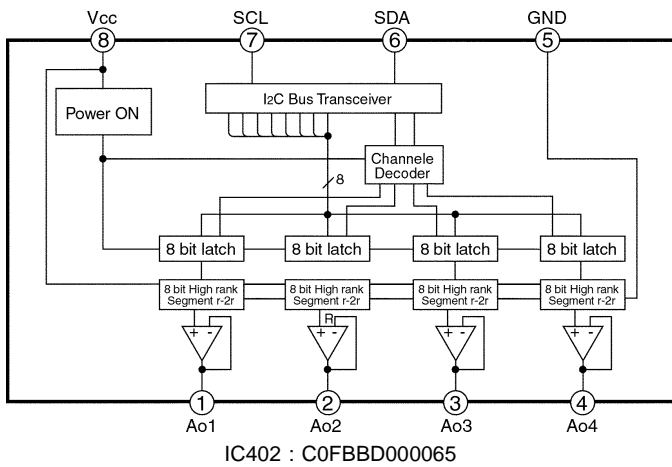
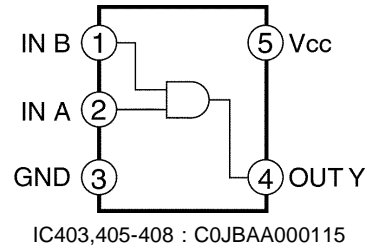
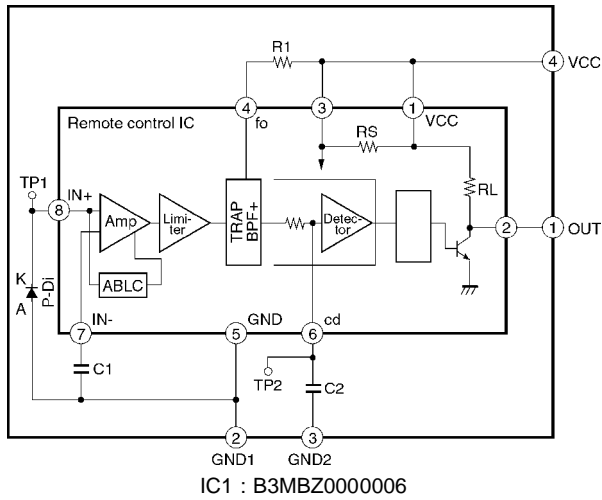
IC253 : C0JBAS000081

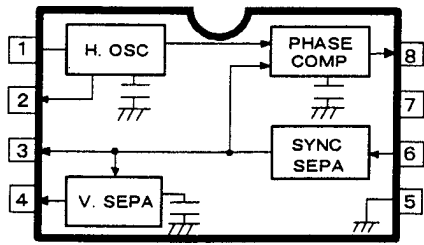


IC351 : C1AB00001604

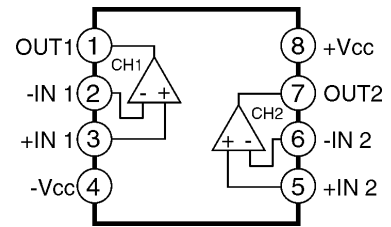


### 10.3. TFT/SW-R/SW-L Block



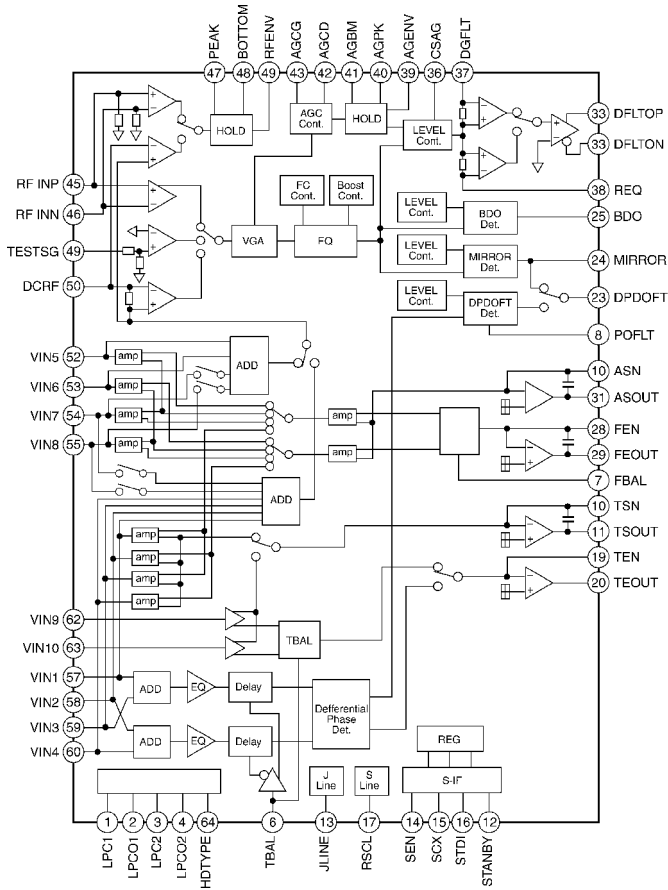


IC805 : C1A00001604

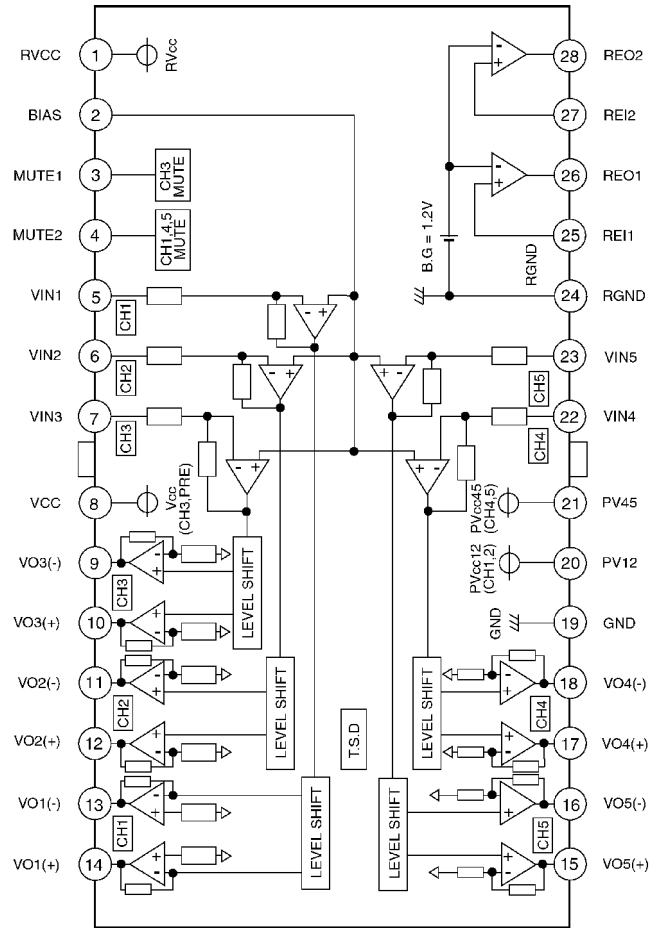


IC806 : C1ABBB000069

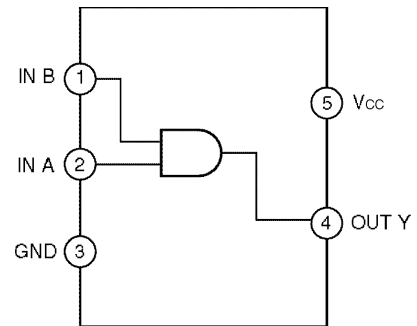
### 10.4. DVD Deck Block



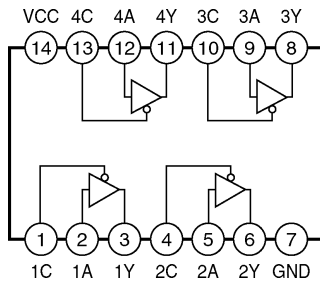
IC101 : AN8703FH-V



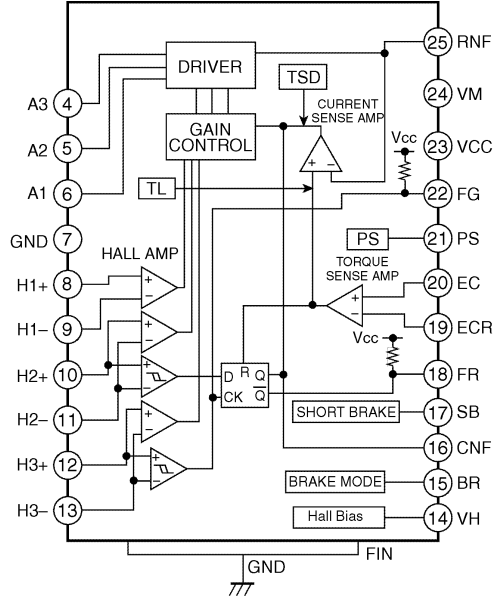
IC311 : C0GBY0000012



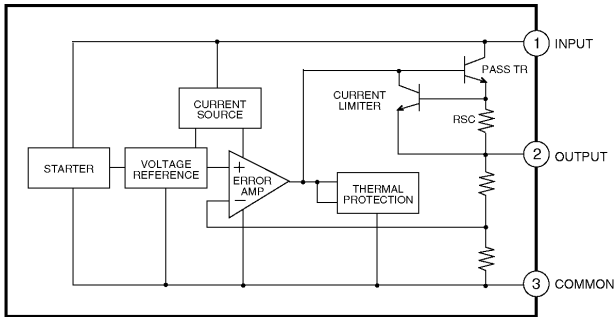
IC271 : C0JBAA000372



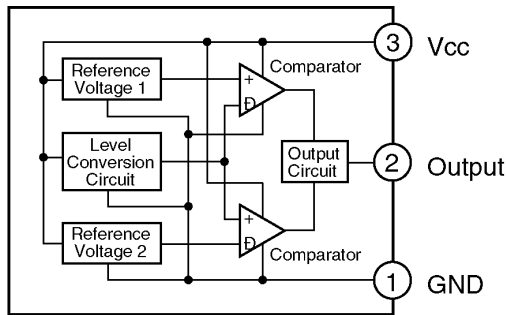
**IC275, IC561 : C0JBAZ001014**



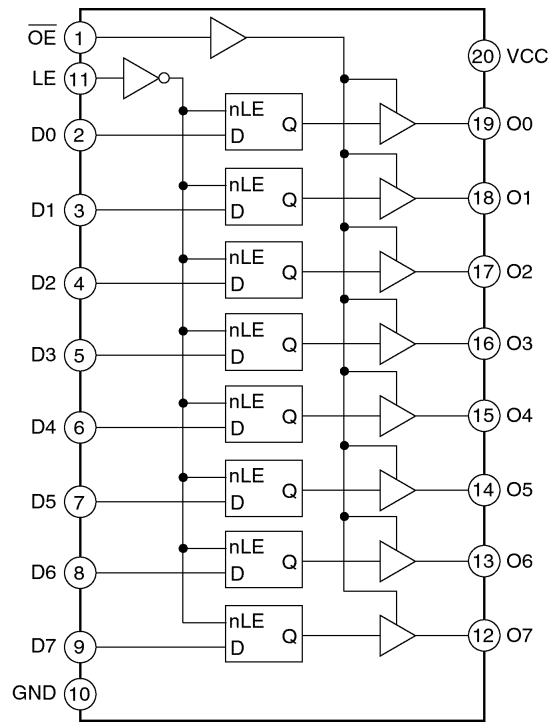
**IC321 : C0GBH000006**



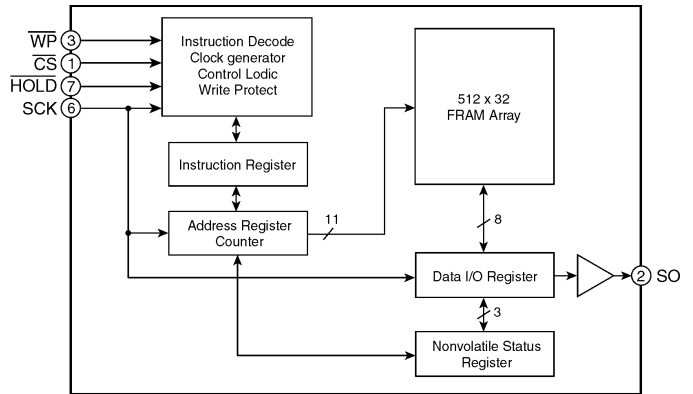
**IC411 : C0CBADC00084**



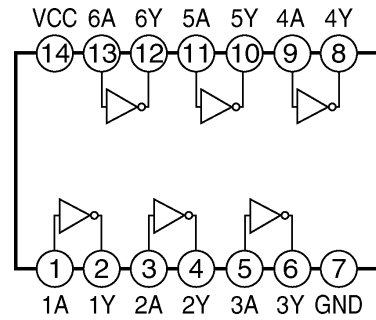
**IC441 : MN13821JP**



**IC631, IC641 : C0JBAH000082**



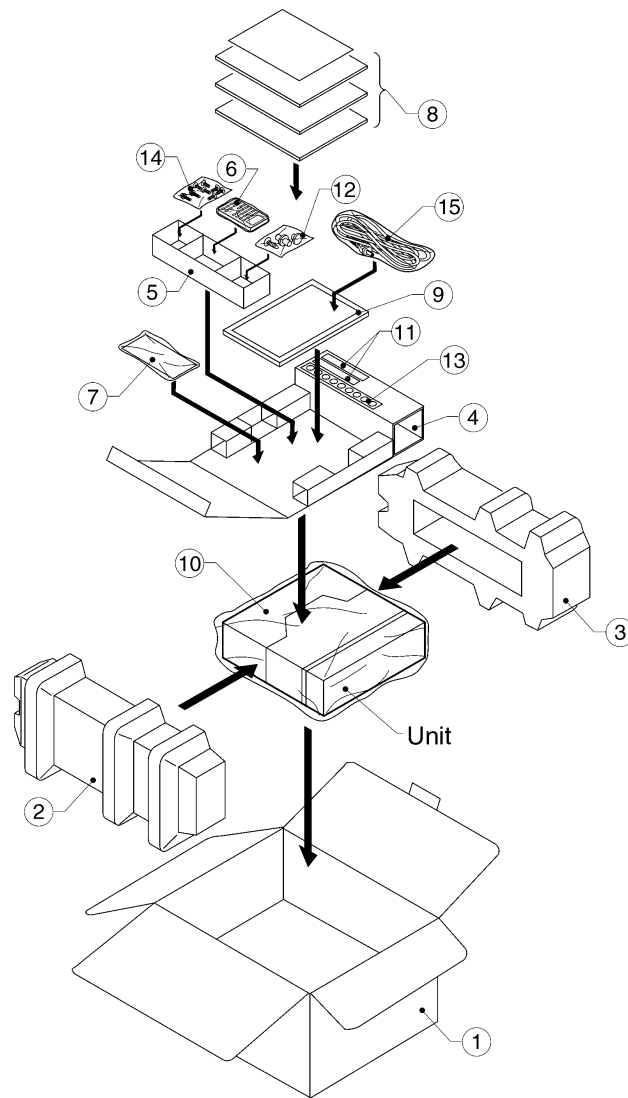
**IC651 : C3GBCA000001**



**IC652 : C0JBAB000255**



# 11 PACKING PARTS LIST



- Item numbers listed below should not order regular spare parts. (not available)

Item No.	Part No.	Part Name & Description	Q'ty	Remarks
1	-	Inner Carton	1	Not available
2	-	Packing Pad (Left)	1	Not available
3	-	Packing Pad (Right)	1	Not available
4	-	Packing Pad (A)	1	Not available
5	-	Packing Pad (B)	1	Not available
6	EUR7641060	Remote Control Unit (includes a battery)	1	
	CR2025/1F	Lithium Battery (CR2025)	1	
7	YEFX9991793	Wiping Cloth	1	
8	-	Operating Instructions	(1)	Not available
	-	System Upgrade Guidebook	(1)	Not available
	-	Installation Instructions	(1)	Not available
9	YFC054C088ZA	Trim Plate	1	
10	YFX214C437ZA	Mounting Collar	1	
11	YFX994C134ZA	Lock Cancel Plate	1	
12	ZZBISVD7005A	Bis kit (Mounting Bolt, Tapping Screw, Hex. Nut)	1	
13	YFEG044C002	Rear Support Strap	1	
14	ZZBISVD6505	Screw kit (Round Head Screw, Flat-Head Screw)	1	
15	YEAJ012890	Power Connector, Reverse Extension Cord, Clip Connector	1	

# 12 REPLACEMENT PARTS LIST

Notes :

1. Be sure to make your orders of replacement parts according to this list.
2. Important safety notice: Components, identified by  $\Delta$  mark have special characteristics important for safety. When replacing any of these components, use only manufacturer's specified parts.
3. Location keys in the remarks column indicates the general location of the parts shown in the exploded drawing, as in a road map.
4. The marking (RTL) indicates that Retention Time is limited for this item. After the discontinuation of assembly in production, the item will continue to be available for a specific period of time. The retention period of availability is dependent on the type of assembly, and in accordance with the laws governing part and product retention. After the end of this period, the assembly will no longer be available.
  - Order intake period is basically six months after the first shipment.
5. "T" marks in remarks column are indicated supply parts of PTW.
6. Reference materials of parts with the "TSN" mark in the remarks column are uploaded in the TSN (Technical Service Navigation) system website. Please download from that website for references.

Ref. No.	Part No.	Part Name & Description	Remarks
[E-9788A] Main/IF Block			
IC's AND TRANSISTORS			
IC151	C0JBAA000115	IC	T
IC200	C1ZAZ0001450	IC	T
IC201	C0ABCB000051	IC	T
IC202	C0ABCB000051	IC	T
IC203	C0ABBB000105	IC	T
IC301	C0ABBB000105	IC	T
IC302	C0ABBB000105	IC	T
IC303	C0ZBZ0000770	IC	T
IC601	C2DBYY000231	IC	T
IC602	C3GBCY000001	IC	T
IC608	C0JBAB000255	IC	T
IC610	C0JBAZ001166	IC	T
IC611	C0JBAZ002192	IC	T
IC612	C0FBBD000065	IC	T
IC710	C0CBCYG00004	IC	T
IC711	C0GBG0000032	IC	T
IC751	AN8065S-E1V	IC	T
IC754	C0DBAMG00015	IC	T
IC756	C0CBABC00160	IC	T
Q151	B1GBCFJN0009	Transistor	T
Q152	B1GBCFJN0009	Transistor	T
Q153	B1GBNCBC0001	Transistor	T
Q154	B1BDEL000001	Transistor	T
Q155	B1GBCFJN0009	Transistor	T
Q201	XN0F26100L	Transistor	T
Q202	B1GBHBEA0003	Transistor	T
Q203	XN0F26100L	Transistor	T
Q204	B1GBHBEA0003	Transistor	T
Q205	B1GBHBEA0003	Transistor	T
Q206	B1GBHBEA0003	Transistor	T
Q281	B1GDCFJJ0008	Transistor	T
Q282	B1GDCFLL0012	Transistor	T

Ref. No.	Part No.	Part Name & Description	Remarks
Q283	B1GDCFJJ0008	Transistor	T
Q284	B1GDCFLL0012	Transistor	T
Q285	B1GDCFJJ0008	Transistor	T
Q286	B1GDCFLL0012	Transistor	T
Q287	B1GDCFJJ0008	Transistor	T
Q288	B1GDCFLL0012	Transistor	T
Q289	B1GDCFLL0012	Transistor	T
Q290	B1GDCFJJ0008	Transistor	T
Q291	B1GDCFLL0012	Transistor	T
Q292	B1GDCFJJ0008	Transistor	T
Q293	B1GDCFJJ0008	Transistor	T
Q301	XN0F26100L	Transistor	T
Q302	B1GBHBEA0003	Transistor	T
Q303	XN0F26100L	Transistor	T
Q304	B1GBHBEA0003	Transistor	T
Q305	B1GBHBEA0003	Transistor	T
Q306	B1GBHBEA0003	Transistor	T
Q601	B1GBHBJJ0001	Transistor	T
Q602	B1GBHBJJ0001	Transistor	T
Q603	B1GBHBJJ0001	Transistor	T
Q604	B1GBCFNN0009	Transistor	T
Q605	B1GBCFNN0009	Transistor	T
Q606	B1GBCFJN0009	Transistor	T
Q607	B1GBCFJN0009	Transistor	T
Q608	XN0438100L	Transistor	T
Q611	B1GBNCEJ0001	Transistor	T
Q617	B1GBCFJN0009	Transistor	T
Q618	B1GBCFJN0009	Transistor	T
Q619	B1GBCFJN0009	Transistor	T
Q620	B1GBCFNN0009	Transistor	T
Q621	B1GBCFJN0009	Transistor	T
Q622	B1GBCFJN0009	Transistor	T
Q623	B1GBCFJN0009	Transistor	T
Q624	B1GBCFJN0009	Transistor	T
Q625	B1GDCFNN0007	Transistor	T
Q626	B1GDCFNN0007	Transistor	T
Q702	XN0438100L	Transistor	T
Q703	B1GBNCEJ0001	Transistor	T
Q704	B1GBNCEJ0001	Transistor	T
Q711	B1GBNCEJ0001	Transistor	T
Q751	B1BBCG000002	Transistor	T
Q753	B1GBCFJN0009	Transistor	T
Q754	B1GDCFJJ0008	Transistor	T
Q755	B1GBCFJN0009	Transistor	T
Q756	B1DFFD000013	Transistor	T
Q757	B1DFFD000013	Transistor	T
Q759	B1DFFD000013	Transistor	T
Q760	B1GBCFJN0009	Transistor	T
DIODES			
D151	B0JCRC000002	Diode	T
D201	B0ADCJ000025	Diode	T
D202	B0ACCK000005	Diode	T
D203	B0ADCJ000025	Diode	T
D204	MA2Q73600L	Diode	T
D205	MA2Q73600L	Diode	T
D206	MA2Q73600L	Diode	T
D207	MA2Q73600L	Diode	T
D301	B0ADCJ000025	Diode	T
D302	B0ACCK000005	Diode	T
D303	B0ADCJ000025	Diode	T
D304	MA2Q73600L	Diode	T
D305	MA2Q73600L	Diode	T
D306	MA2Q73600L	Diode	T
D307	MA2Q73600L	Diode	T
D601	B0ADCJ000025	Diode	T
D603	B0BC5R600010	Zener Diode	T
D604	B0BC4R300003	Zener Diode	T
D605	YEADR22MBT1	Zener Diode	T
D606	B0ACCK000005	Diode	T
D607	B0ACCK000005	Diode	T

Ref. No.	Part No.	Part Name & Description	Remarks
D608	B0BC5R000009	Zener Diode	T
D609	MA2J72900L	Diode	T
D610	YEADRD22MBT1	Zener Diode	T
D701	B0BA04700003	Diode	T
D702	B0ECKL000001	Diode	T
D703	B0BC5R600010	Zener Diode	T
D753	B0ECKL000001	Diode	T
D755	B0ACCK000005	Diode	T
D759	B0BC5R600004	Diode	T
D764	B0JCRC000002	Diode	T
D765	MA2J72900L	Diode	T
D766	MA2J72900L	Diode	T
D767	MA2J72900L	Diode	T
D769	B0JCQD000002	Diode	T
D770	B0JCQD000002	Diode	T
D771	B0JCQD000002	Diode	T
D772	MA2J72900L	Diode	T
CAPACITORS			
C151	FLK1C225A069	Chip, 2.2µF 16WV	T
C152	EEUFC1C471LB	Electrolytic, 470PF 16WV	T
C153	FLK1C225A069	Chip, 2.2µF 16WV	T
C154	1HEC-BS2R2M	Electrolytic, 2.2µF 50WV	T
C155	F2A1C222A715	Electrolytic, 2200PF 16WV	T
C156	F1H1C104A107	Chip, 0.1µF 16WV	T
C160	1HEC-FS220M	Electrolytic, 22µF 25WV	T
C207	1HEC-BS3R3M	Electrolytic, 3.3µF 50WV	T
C208	1HEC-BS3R3M	Electrolytic, 3.3µF 50WV	T
C209	1HEC-BS3R3M	Electrolytic, 3.3µF 50WV	T
C210	F1H1H560A841	Chip, 56PF 50WV	T
C211	F1H1H560A841	Chip, 56PF 50WV	T
C212	F1H1H560A841	Chip, 56PF 50WV	T
C213	1CEC-BS470M	Electrolytic, 47µF 16WV	T
C214	FLJ1C104A148	Chip, 0.1µF 16WV	T
C215	1CEC-BS100M	Electrolytic, 10µF 16WV	T
C216	1CEC-BS100M	Electrolytic, 10µF 16WV	T
C217	1CEC-BS100M	Electrolytic, 10µF 16WV	T
C218	F1H1H221A841	Chip, 220PF 50WV	T
C219	F1H1H221A841	Chip, 220PF 50WV	T
C220	F1H1H221A841	Chip, 220PF 50WV	T
C221	1HEC-BS3R3M	Electrolytic, 3.3µF 50WV	T
C222	F1H1H560A841	Chip, 56PF 50WV	T
C223	F1H1H560A841	Chip, 56PF 50WV	T
C224	1HEC-BS3R3M	Electrolytic, 3.3µF 50WV	T
C225	F1H1H560A841	Chip, 56PF 50WV	T
C226	1CEC-BS470M	Electrolytic, 47µF 16WV	T
C227	FLJ1C104A148	Chip, 0.1µF 16WV	T
C228	FLK1C1060001	Ceramic, 10µF 16WV	T
C229	FLK1C1060001	Ceramic, 10µF 16WV	T
C230	ECPULC105MA5	Film, 1µF 16WV	T
C231	ECPULC105MA5	Film, 1µF 16WV	T
C232	F1H1H122A219	Ceramic, 1200PF 50WV	T
C233	F1H1H122A219	Ceramic, 1200PF 50WV	T
C234	1CEC-BS101M	Electrolytic, 100µF 16WV	T
C235	1CEC-BS100M	Electrolytic, 10µF 16WV	T
C236	F1H1C104A107	Chip, 0.1µF 16WV	T
C237	1CEC-BS470M	Electrolytic, 47µF 16WV	T
C238	FLJ1C104A148	Chip, 0.1µF 16WV	T
C239	FLJ1C105A173	Chip, 1µF 16WV	T
C240	F1H1H101A737	Chip, 100PF 50WV	T
C241	FLJ1C105A173	Chip, 1µF 16WV	T
C242	FLJ1C105A173	Chip, 1µF 16WV	T
C243	F1H1H101A737	Chip, 100PF 50WV	T
C244	1CEC-BS100M	Electrolytic, 10µF 16WV	T
C245	FLJ1H681A732	Chip, 680PF 50WV	T
C246	FLJ1H681A732	Chip, 680PF 50WV	T
C247	FLJ1H681A732	Chip, 680PF 50WV	T
C248	FLJ1H681A732	Chip, 680PF 50WV	T
C249	F1H1H391A841	Chip, 390PF 50WV	T
C281	1CEC-C100M	Electrolytic, 10µF 16WV	T
C282	1CEC-C100M	Electrolytic, 10µF 16WV	T

Ref. No.	Part No.	Part Name & Description	Remarks
C283	1CEC-C100M	Electrolytic, 10µF 16WV	T
C284	1CEC-C100M	Electrolytic, 10µF 16WV	T
C285	1CEC-C100M	Electrolytic, 10µF 16WV	T
C286	1CEC-C100M	Electrolytic, 10µF 16WV	T
C307	1HEC-BS3R3M	Electrolytic, 3.3µF 50WV	T
C308	1HEC-BS3R3M	Electrolytic, 3.3µF 50WV	T
C309	1HEC-BS3R3M	Electrolytic, 3.3µF 50WV	T
C310	F1H1H560A841	Chip, 56PF 50WV	T
C311	F1H1H560A841	Chip, 56PF 50WV	T
C312	F1H1H560A841	Chip, 56PF 50WV	T
C313	1CEC-BS470M	Electrolytic, 47µF 16WV	T
C314	FLJ1C104A148	Chip, 0.1µF 16WV	T
C315	1CEC-BS100M	Electrolytic, 10µF 16WV	T
C316	1CEC-BS100M	Electrolytic, 10µF 16WV	T
C317	1CEC-BS100M	Electrolytic, 10µF 16WV	T
C318	F1H1H221A841	Chip, 220PF 50WV	T
C319	F1H1H221A841	Chip, 220PF 50WV	T
C320	F1H1H221A841	Chip, 220PF 50WV	T
C321	1HEC-BS3R3M	Electrolytic, 3.3µF 50WV	T
C322	F1H1H560A841	Chip, 56PF 50WV	T
C323	F1H1H560A841	Chip, 56PF 50WV	T
C324	1HEC-BS3R3M	Electrolytic, 3.3µF 50WV	T
C325	F1H1H560A841	Chip, 56PF 50WV	T
C326	1CEC-BS470M	Electrolytic, 47µF 16WV	T
C327	FLJ1C104A148	Chip, 0.1µF 16WV	T
C328	FLK1C1060001	Ceramic, 10µF 16WV	T
C329	FLK1C1060001	Ceramic, 10µF 16WV	T
C330	ECPULC105MA5	Film, 1µF 16WV	T
C331	ECPULC105MA5	Film, 1µF 16WV	T
C332	F1H1H122A219	Ceramic, 1200PF 50WV	T
C333	F1H1H122A219	Ceramic, 1200PF 50WV	T
C334	1HEC-BS2R2M	Electrolytic, 2.2µF 50WV	T
C335	1CEC-BS100M	Electrolytic, 10µF 16WV	T
C336	F1H1C104A107	Chip, 0.1µF 16WV	T
C337	1CEC-BS470M	Electrolytic, 47µF 16WV	T
C338	FLJ1C104A148	Chip, 0.1µF 16WV	T
C339	FLJ1C105A173	Chip, 1µF 16WV	T
C340	F1H1H101A737	Chip, 100PF 50WV	T
C341	FLJ1C105A173	Chip, 1µF 16WV	T
C342	FLJ1C105A173	Chip, 1µF 16WV	T
C343	F1H1H101A737	Chip, 100PF 50WV	T
C344	1HEC-BS010M	Electrolytic, 1µF 50WV	T
C345	FLJ1H681A732	Chip, 680PF 50WV	T
C346	FLJ1H681A732	Chip, 680PF 50WV	T
C347	FLJ1H681A732	Chip, 680PF 50WV	T
C348	FLJ1H681A732	Chip, 680PF 50WV	T
C349	F1H1H391A841	Chip, 390PF 50WV	T
C390	FLK1C105A026	Ceramic, 1µF 16WV	T
C601	0JEC-FS101M	Electrolytic, 100µF 6.3WV	T
C602	F1H1C104A107	Chip, 0.1µF 16WV	T
C603	F1H1C104A107	Chip, 0.1µF 16WV	T
C604	FLK1C1060001	Ceramic, 10µF 16WV	T
C605	F1H1C104A107	Chip, 0.1µF 16WV	T
C606	1CEC-C100M	Electrolytic, 10µF 16WV	T
C607	FLK0J4750001	Ceramic, 4.7µF 6.3WV	T
C608	F1H1H150A841	Chip, 15PF 50WV	T
C609	F1H1H120A841	Chip, 12PF 50WV	T
C610	F1H1C104A107	Chip, 0.1µF 16WV	T
C611	F1H1C104A107	Chip, 0.1µF 16WV	T
C612	F1H0J1050010	Chip, 1µF 6.3WV	T
C613	F1H1C104A107	Chip, 0.1µF 16WV	T
C614	F1H0J1050010	Chip, 1µF 6.3WV	T
C615	F1H1C104A107	Chip, 0.1µF 16WV	T
C616	1CEC-C100M	Electrolytic, 10µF 16WV	T
C621	F1H1C104A107	Chip, 0.1µF 16WV	T
C622	FLK1C1060001	Ceramic, 10µF 16WV	T
C623	FLJ1C104A148	Chip, 0.1µF 16WV	T
C633	F1H1C104A107	Chip, 0.1µF 16WV	T
C634	F1H1C104A107	Chip, 0.1µF 16WV	T
C635	F1H1H330A841	Chip, 33PF 50WV	T
C637	F1H1C104A107	Chip, 0.1µF 16WV	T
C640	F1H1C104A107	Chip, 0.1µF 16WV	T
C641	F1H1C104A107	Chip, 0.1µF 16WV	T



Ref. No.	Part No.	Part Name & Description	Remarks
R290	D0GB102JA008	Chip, 1k $\Omega$ 1/10W	T
R291	D0GB103JA008	Chip, 10k $\Omega$	T
R292	D0GB103JA008	Chip, 10k $\Omega$	T
R294	D0GB104JA008	Chip, 100k $\Omega$ 1/10W	T
R296	D0GB104JA008	Chip, 100k $\Omega$ 1/10W	T
R298	D0GB104JA008	Chip, 100k $\Omega$ 1/10W	T
R307	D0GB473JA008	Chip, 47k $\Omega$ 1/10W	T
R308	D0GB183JA008	Chip, 18k $\Omega$ 1/10W	T
R309	D0GB103JA008	Chip, 10k $\Omega$	T
R310	D0GB473JA008	Chip, 47k $\Omega$ 1/10W	T
R311	D0GB183JA008	Chip, 18k $\Omega$ 1/10W	T
R312	D0GB103JA008	Chip, 10k $\Omega$	T
R313	D0GB273JA008	Chip, 27k $\Omega$ 1/10W	T
R314	D0GB153JA008	Chip, 15k $\Omega$ 1/10W	T
R315	D0GB123JA008	Chip, 12k $\Omega$ 1/10W	T
R316	D0GB561JA008	Chip, 560 $\Omega$ 1/10W	T
R317	D0GB103JA008	Chip, 10k $\Omega$	T
R318	D0GB561JA008	Chip, 560 $\Omega$ 1/10W	T
R319	D0GB103JA008	Chip, 10k $\Omega$	T
R320	D0GB561JA008	Chip, 560 $\Omega$ 1/10W	T
R321	D0GB103JA008	Chip, 10k $\Omega$	T
R322	D0GB103JA008	Chip, 10k $\Omega$	T
R323	D0GB223JA008	Chip, 22k $\Omega$ 1/10W	T
R324	D0GBR00JA008	Chip, 0 $\Omega$ 1/10W	T
R325	D0GBR00JA008	Chip, 0 $\Omega$ 1/10W	T
R326	D0GB273JA008	Chip, 27k $\Omega$ 1/10W	T
R327	D0GB333JA008	Chip, 33k $\Omega$ 1/10W	T
R328	D0GB472JA008	Chip, 4.7k $\Omega$ 1/10W	T
R329	D0GB562JA008	Chip, 5.6k $\Omega$ 1/10W	T
R330	D0GB103JA008	Chip, 10k $\Omega$	T
R331	D0GB393JA008	Chip, 39k $\Omega$ 1/10W	T
R332	D0GB102JA008	Chip, 1k $\Omega$ 1/10W	T
R333	D0GB562JA008	Chip, 5.6k $\Omega$ 1/10W	T
R334	D0GB102JA008	Chip, 1k $\Omega$ 1/10W	T
R335	D0GB562JA008	Chip, 5.6k $\Omega$ 1/10W	T
R336	D0GB103JA008	Chip, 10k $\Omega$	T
R337	D0GB103JA008	Chip, 10k $\Omega$	T
R338	D0GB473JA008	Chip, 47k $\Omega$ 1/10W	T
R339	D0GB562JA008	Chip, 5.6k $\Omega$ 1/10W	T
R340	D0GB473JA008	Chip, 47k $\Omega$ 1/10W	T
R341	D0GB473JA008	Chip, 47k $\Omega$ 1/10W	T
R342	D0GB562JA008	Chip, 5.6k $\Omega$ 1/10W	T
R343	D0GB154JA008	Chip, 150k $\Omega$ 1/10W	T
R344	D0GB221JA008	Chip, 220 $\Omega$ 1/10W	T
R345	D0GBR00JA008	Chip, 0 $\Omega$ 1/10W	T
R346	D0GBR00JA008	Chip, 0 $\Omega$ 1/10W	T
R347	D0GBR00JA008	Chip, 0 $\Omega$ 1/10W	T
R348	D0GBR00JA008	Chip, 0 $\Omega$ 1/10W	T
R384	D0GB222JA008	Chip, 2.2k $\Omega$ 1/10W	T
R394	D0GB104JA008	Chip, 100k $\Omega$ 1/10W	T
R396	D0GB104JA008	Chip, 100k $\Omega$ 1/10W	T
R398	D0GB104JA008	Chip, 100k $\Omega$ 1/10W	T
R501	D0GBR00JA008	Chip, 0 $\Omega$ 1/10W	T
R502	D0GBR00JA008	Chip, 0 $\Omega$ 1/10W	T
R503	D0GBR00JA008	Chip, 0 $\Omega$ 1/10W	T
R504	D0GBR00JA008	Chip, 0 $\Omega$ 1/10W	T
R505	D0GBR00JA008	Chip, 0 $\Omega$ 1/10W	T
R506	D0GBR00JA008	Chip, 0 $\Omega$ 1/10W	T
R544	D0GB102JA008	Chip, 1k $\Omega$ 1/10W	T
R545	D0GB102JA008	Chip, 1k $\Omega$ 1/10W	T
R546	D0GB750JA008	Chip, 75 $\Omega$ 1/10W	T
R547	D0GB750JA008	Chip, 75 $\Omega$ 1/10W	T
R548	D0GB750JA008	Chip, 75 $\Omega$ 1/10W	T
R549	D0GB750JA008	Chip, 75 $\Omega$ 1/10W	T
R593	ERJ3RBD103V	Chip, 10k $\Omega$ 1/16W	T
R602	D0GB473JA008	Chip, 47k $\Omega$ 1/10W	T
R603	D0GBR00JA008	Chip, 0 $\Omega$ 1/10W	T
R604	D0GBR00JA008	Chip, 0 $\Omega$ 1/10W	T
R605	D0GB103JA008	Chip, 10k $\Omega$	T
R606	D0GB101JA008	Chip, 100 $\Omega$ 1/10W	T
R607	D0GB102JA008	Chip, 1k $\Omega$ 1/10W	T
R609	D0GB472JA008	Chip, 4.7k $\Omega$ 1/10W	T
R610	D0GB101JA008	Chip, 100 $\Omega$ 1/10W	T

Ref. No.	Part No.	Part Name & Description	Remarks
R611	D0GB103JA008	Chip, 10k $\Omega$	T
R612	D0GB101JA008	Chip, 100 $\Omega$ 1/10W	T
R614	D0GB221JA008	Chip, 220 $\Omega$ 1/10W	T
R615	D0GB472JA008	Chip, 4.7k $\Omega$ 1/10W	T
R616	D0GB221JA008	Chip, 220 $\Omega$ 1/10W	T
R617	D0GB472JA008	Chip, 4.7k $\Omega$ 1/10W	T
R618	D0GB102JA008	Chip, 1k $\Omega$ 1/10W	T
R620	D0GB102JA008	Chip, 1k $\Omega$ 1/10W	T
R621	D0GB102JA008	Chip, 1k $\Omega$ 1/10W	T
R622	D0GB102JA008	Chip, 1k $\Omega$ 1/10W	T
R624	D0GB102JA008	Chip, 1k $\Omega$ 1/10W	T
R625	D0GB101JA008	Chip, 100 $\Omega$ 1/10W	T
R626	D0GB102JA008	Chip, 1k $\Omega$ 1/10W	T
R627	D0GB472JA008	Chip, 4.7k $\Omega$ 1/10W	T
R628	D0GB221JA008	Chip, 220 $\Omega$ 1/10W	T
R629	D0GB472JA008	Chip, 4.7k $\Omega$ 1/10W	T
R630	D0GB221JA008	Chip, 220 $\Omega$ 1/10W	T
R631	D0GB102JA008	Chip, 1k $\Omega$ 1/10W	T
R632	D0GB102JA008	Chip, 1k $\Omega$ 1/10W	T
R634	D0GB103JA008	Chip, 10k $\Omega$	T
R636	D0GB220JA008	Chip, 22 $\Omega$ 1/10W	T
R637	D0GB332JA008	Chip, 3.3k $\Omega$ 1/10W	T
R638	D0GB102JA008	Chip, 1k $\Omega$ 1/10W	T
R639	D0GB182JA008	Chip, 1.8k $\Omega$ 1/10W	T
R640	D0GBR00JA008	Chip, 0 $\Omega$ 1/10W	T
R641	D0GBR00JA008	Chip, 0 $\Omega$ 1/10W	T
R642	D0GBR00JA008	Chip, 0 $\Omega$ 1/10W	T
R643	D0GBR00JA008	Chip, 0 $\Omega$ 1/10W	T
R644	D0GBR00JA008	Chip, 0 $\Omega$ 1/10W	T
R645	D0GBR00JA008	Chip, 0 $\Omega$ 1/10W	T
R646	D0GBR00JA008	Chip, 0 $\Omega$ 1/10W	T
R647	D0GBR00JA008	Chip, 0 $\Omega$ 1/10W	T
R648	D0GBR00JA008	Chip, 0 $\Omega$ 1/10W	T
R649	D0GBR00JA008	Chip, 0 $\Omega$ 1/10W	T
R650	D0GB222JA008	Chip, 2.2k $\Omega$ 1/10W	T
R651	D0GB473JA008	Chip, 47k $\Omega$ 1/10W	T
R652	D0GB222JA008	Chip, 2.2k $\Omega$ 1/10W	T
R653	D0GB473JA008	Chip, 47k $\Omega$ 1/10W	T
R654	D0GB103JA008	Chip, 10k $\Omega$	T
R655	D0GB103JA008	Chip, 10k $\Omega$	T
R656	D0GB101JA008	Chip, 100 $\Omega$ 1/10W	T
R657	D0GB184JA008	Chip, 180k $\Omega$ 1/10W	T
R658	D0GBR00JA008	Chip, 0 $\Omega$ 1/10W	T
R659	D0GBR00JA008	Chip, 0 $\Omega$ 1/10W	T
R660	D0GB104JA008	Chip, 100k $\Omega$ 1/10W	T
R661	D0GB104JA008	Chip, 100k $\Omega$ 1/10W	T
R662	D0GB104JA008	Chip, 100k $\Omega$ 1/10W	T
R663	D0GB104JA008	Chip, 100k $\Omega$ 1/10W	T
R664	D0GB102JA008	Chip, 1k $\Omega$ 1/10W	T
R665	D0GB104JA008	Chip, 100k $\Omega$ 1/10W	T
R666	D0GB102JA008	Chip, 1k $\Omega$ 1/10W	T
R667	D0GB104JA008	Chip, 100k $\Omega$ 1/10W	T
R668	D0GB104JA008	Chip, 100k $\Omega$ 1/10W	T
R671	D0GBR00JA008	Chip, 0 $\Omega$ 1/10W	T
R672	D0GBR00JA008	Chip, 0 $\Omega$ 1/10W	T
R673	D0GBR00JA008	Chip, 0 $\Omega$ 1/10W	T
R674	D0GBR00JA008	Chip, 0 $\Omega$ 1/10W	T
R675	D0GB103JA008	Chip, 10k $\Omega$	T
R676	ERJ3RBD103V	Chip, 10k $\Omega$ 1/16W	T
R677	D0GB103JA008	Chip, 10k $\Omega$	T
R678	D0GB103JA008	Chip, 10k $\Omega$	T
R679	D0GB103JA008	Chip, 10k $\Omega$	T
R680	D0GB103JA008	Chip, 10k $\Omega$	T
R681	D0GBR00JA008	Chip, 0 $\Omega$ 1/10W	T
R682	D0GB104JA008	Chip, 100k $\Omega$ 1/10W	T
R683	D0GD183JA017	Chip, 18k $\Omega$ 1/16W	T
R684	D0GB103JA008	Chip, 10k $\Omega$	T
R685	D0GB473JA008	Chip, 47k $\Omega$ 1/10W	T
R686	D0GD471JA017	Chip, 470 $\Omega$ 1/16W	T
R687	D0GD471JA017	Chip, 470 $\Omega$ 1/16W	T
R688	D0GB103JA008	Chip, 10k $\Omega$	T
R689	D0GD471JA017	Chip, 470 $\Omega$ 1/16W	T
R690	D0GB103JA008	Chip, 10k $\Omega$	T

Ref. No.	Part No.	Part Name & Description	Remarks
R691	DOGB104JA008	Chip, 100kΩ 1/10W	T
R692	DOGB103JA008	Chip, 10kΩ	T
R693	DOGB221JA008	Chip, 220Ω 1/10W	T
R694	DOGB221JA008	Chip, 220Ω 1/10W	T
R695	DOGB102JA008	Chip, 1kΩ 1/10W	T
R696	DOGB102JA008	Chip, 1kΩ 1/10W	T
R697	DOGB102JA008	Chip, 1kΩ 1/10W	T
R698	DOGB102JA008	Chip, 1kΩ 1/10W	T
R699	DOGB103JA008	Chip, 10kΩ	T
R701	DOGD4R7JA056	Chip, 4.7Ω 1/8W	T
R702	DOGFR00JA017	Chip, 0Ω 1/16W	T
R703	DOGFR00JA017	Chip, 0Ω 1/16W	T
R705	DOGD223JA017	Chip, 22kΩ 1/16W	T
R706	DOGD223JA017	Chip, 22kΩ 1/16W	T
R707	DOGD681JA017	Chip, 680Ω 1/16W	T
R708	DOGFR00JA017	Chip, 0Ω 1/16W	T
R709	DOGDR00JA017	Chip, 0Ω 1/16W	T
R710	DOGFR00JA017	Chip, 0Ω 1/16W	T
R711	DOGFR00JA017	Chip, 0Ω 1/16W	T
R712	DOGFR00JA017	Chip, 0Ω 1/16W	T
R716	DOGB100JA008	Chip, 10Ω 1/10W	T
R717	DOGB100JA008	Chip, 10Ω 1/10W	T
R718	DOGB100JA008	Chip, 10Ω 1/10W	T
R719	DOGD221JA017	Chip, 220Ω 1/16W	T
R734	DOGB103JA008	Chip, 10kΩ	T
R740	DOGB103JA008	Chip, 10kΩ	T
R741	DOGDR00JA017	Chip, 0Ω 1/16W	T
R742	DOGFR00JA017	Chip, 0Ω 1/16W	T
R744	DOGD152JA017	Chip, 1.5kΩ 1/16W	T
R745	DOGN3R9JA005	Chip, 3.9Ω 1/2W	T
R746	DOGD473JA017	Chip, 47kΩ 1/16W	T
R750	ERJ3RBD682V	Chip, 6.8kΩ 1/16W	T
R751	DOGN390JA005	Chip, 39Ω 1/2W	T
R752	DOGB103JA008	Chip, 10kΩ	T
R753	DOGD102JA017	Chip, 1kΩ 1/16W	T
R754	D1BD1503A030	Chip, 150kΩ 1/8W	T
R755	D1BD2703A030	Chip, 270kΩ 1/8W	T
R756	D1BD2702A030	Chip, 27kΩ 1/8W	T
R757	D1BD3902A030	Chip, 39kΩ 1/8W	T
R758	DOGN100JA005	Chip, 10Ω 1/2W	T
R767	D1BD1801A030	Chip, 1.8kΩ 1/8W	T
R768	D1BD2701A030	Chip, 2.7kΩ 1/8W	T
R769	D1BD1503A030	Chip, 150kΩ 1/8W	T
R772	DOGB103JA008	Chip, 10kΩ	T
R773	DOGB103JA008	Chip, 10kΩ	T
R776	D1BD6800A030	Chip, 6.8kΩ 1/8W	T
R777	DOGB682JA008	Chip, 6.8kΩ 1/10W	T
R779	DOGB682JA008	Chip, 6.8kΩ 1/10W	T
R780	DOGB682JA008	Chip, 6.8kΩ 1/10W	T
R781	DOGD470JA017	Chip, 47Ω 1/16W	T
R782	DOGDR00JA017	Chip, 0Ω 1/16W	T
R783	ERJ3RBD103V	Chip, 10kΩ 1/16W	T
R784	ERJ3RBD331V	Chip, 330Ω 1/16W	T
R785	ERJ3RBD202V	Chip, 2kΩ 1/16W	T
R786	DOGD470JA017	Chip, 47Ω 1/16W	T
R787	DOGDR00JA017	Chip, 0Ω 1/16W	T
R788	ERJ3RBD123V	Chip, 12kΩ 1/16W	T
R789	ERJ3RBD681V	Chip, 680Ω 1/16W	T
R790	ERJ3RBD103V	Chip, 10kΩ 1/16W	T
R791	ERJ3RBD103V	Chip, 10kΩ 1/16W	T
R792	D1BB2703A056	Chip, 270kΩ	T
R793	ERJ3RBD202V	Chip, 2kΩ 1/16W	T
R796	DOGD470JA017	Chip, 47Ω 1/16W	T
R797	DOGDR00JA017	Chip, 0Ω 1/16W	T
R798	ERJ3RBD203V	Chip, 20kΩ 1/16W	T
R799	ERJ3RBD331V	Chip, 330Ω 1/16W	T
CONNECTORS			
CN151	K1MY40A00001	Connector, 40P	T
CN201	K2HA104B0010	4P RCA JACK	T
CN202	K2HA102B00089	2P RCA JACK	T

Ref. No.	Part No.	Part Name & Description	Remarks
CN603	YEAEA330501A	Connector, 3P	T
CN604	K1MN60AA0030	Connector, 60P	T
CN605	K1AA113B0002	Connector	T
CN606	K1AY113B0001	Connector	T
CN607	K1KA03BA0086	Connector, 3P	T
CN650	K1KA14AA0229	Connector, 14P	T
CN651	K1KA15AA0229	Connector, 15P	T
CN701	K1FA116B0028	Connector, 16P	T
CN702	K1KA02AA0229	Connector, 2P	T
CP605	YEAE20309500	Connector, 3P	T
CP650	K1KA14AA0229	Connector, 14P	T
CP651	K1KA15AA0229	Connector, 15P	T
RESISTORS			
FB151	J0JAC0000052	Coil	T
FB152	J0JAC0000052	Coil	T
FB153	J0JAC0000052	Coil	T
FB154	J0JAC0000052	Coil	T
FB155	J0HAAB000018	Coil	T
FB156	J0HAAB000018	Coil	T
FB157	J0HAAB000018	Coil	T
FB158	J0JAC0000052	Coil	T
FB159	J0JAC0000052	Coil	T
FB160	J0JAC0000052	Coil	T
FB161	J0JAC0000052	Coil	T
FB164	J0JHC0000026	Noise Filter	T
FB165	J0JHC0000026	Noise Filter	T
FB201	J0JGC0000029	Coil	T
FB202	J0JGC0000029	Coil	T
FB203	J0JGC0000029	Coil	T
FB301	J0JGC0000029	Coil	T
FB302	J0JGC0000029	Coil	T
FB303	J0JGC0000029	Coil	T
FB601	J0JGC0000020	Coil	T
FB604	J0JGC0000020	Coil	T
FB605	J0JGC0000020	Coil	T
FB608	J0JGC0000020	Coil	T
FB609	J0JGC0000020	Coil	T
FB610	J0JAC0000052	Coil	T
FB614	J0JAC0000052	Coil	T
FB616	J0JAC0000052	Coil	T
FB617	J0JAC0000052	Coil	T
FB618	J0JAC0000052	Coil	T
FB620	J0JAC0000052	Coil	T
FB621	J0JAC0000052	Coil	T
FB622	J0JAC0000052	Coil	T
FB623	J0JAC0000052	Coil	T
FB624	J0JAC0000052	Coil	T
FB626	J0JAC0000052	Coil	T
FB627	J0JAC0000052	Coil	T
FB628	J0JAC0000052	Coil	T
FB629	J0JAC0000052	Coil	T
FB660	J0JGC0000020	Coil	T
FB661	J0JGC0000020	Coil	T
FB662	J0JGC0000020	Coil	T
FB701	J0JGC0000020	Coil	T
FB702	J0JGC0000020	Coil	T
L151	G1C330ZA0086	RF Coil	T
L152	G1C330ZA0086	RF Coil	T
L601	G1C220JA0036	Coil	T
L602	G1C101JA0036	RF Coil	T
L660	G1C101JA0036	RF Coil	T
L701	G0A251J00001	Choke Coil	T
L751	G1C100JA0036	RF Coil	T
L752	G1C220ZA0087	RF Coil	T
L753	G1C220JA0036	Coil	T
L754	G1C470ZA0087	RF Coil	T
L755	G1C220ZA0087	RF Coil	T
L756	G1C220ZA0087	RF Coil	T

Ref. No.	Part No.	Part Name & Description	Remarks
NETWORK RESISTORS			
RA601	D1H81024A043	Network Resistor	T
RA602	D1H81024A043	Network Resistor	T
RA603	D1H81024A043	Network Resistor	T
RA604	D1H81024A043	Network Resistor	T
RA605	D1H81024A043	Network Resistor	T
RA606	D1H82204A043	Network Resistor	T
RA607	D1H81024A043	Network Resistor	T
RA609	D1H81024A043	Network Resistor	T
RA610	D1H81024A043	Network Resistor	T
RA611	D1H81024A043	Network Resistor	T
RA612	D1H81024A043	Network Resistor	T
RA613	D1H81024A043	Network Resistor	T
RA614	D1H81024A043	Network Resistor	T
RA615	D1H81024A043	Network Resistor	T
RA616	D1H81024A043	Network Resistor	T
RA617	D1H81024A043	Network Resistor	T
RA618	D1H81024A043	Network Resistor	T
POSISTOR			
PH701	D4DA74R70003	Posistor	T
THERMISTOR			
TH710	D4CC14730003	Thermistor	T
CRYSTALS			
XL601	H0J419400012	Crystal	T
[E-3112A] Sub Block			
IC's AND TRANSISTORS			
IC101	C0ABBB000090	IC	T
IC102	C0JBAA000102	IC	T
IC251	C1AB00000284	IC	T
IC252	C0ABBB000105	IC	T
IC253	C0JBAS000081	IC	T
IC351	C1AB00001604	IC	T
IC352	C1AB00000164	IC	T
IC500	C2HBCH000007	IC	T
IC752	C0DBERG00001	IC	T
IC753	C0DBERG00001	IC	T
IC755	C0DBERG00001	IC	T
PA51	J3CCA2000003	Tuner	T
Q251	XNOF26100L	Transistor	T
Q351	B1ABCF000052	Transistor	T
Q352	B1ABCF000052	Transistor	T
Q601	B1GBCFJN0009	Transistor	T
DIODES			
D251	B0ADCJ000025	Diode	T
D621	B3AEB0000083	Diode	T
D762	B0JCRC000002	Diode	T
D773	B0JCRC000002	Diode	T
CAPACITORS			
C54	F1J1C105A173	Chip, 1µF 16WV	T
C57	F1J1C105A173	Chip, 1µF 16WV	T
C59	F1J1C104A148	Chip, 0.1µF 16WV	T
C101	F1K1C225A069	Chip, 2.2µF 16WV	T
C102	F2A1E100B300	Electrolytic, 10µF 25WV	T

Ref. No.	Part No.	Part Name & Description	Remarks
C103	F1K1C225A069	Chip, 2.2µF 16WV	T
C104	F2A0J121A993	Electrolytic, 120PF 6.3WV	T
C105	F1K1C225A069	Chip, 2.2µF 16WV	T
C106	F2A0J121993	Electrolytic, 120PF 6.3WV	T
C107	F1K1C225A069	Chip, 2.2µF 16WV	T
C108	F2A0J121993	Electrolytic, 120PF 6.3WV	T
C109	F1H1C104A107	Chip, 0.1µF 16WV	T
C110	F2A1C100B261	Electrolytic, 10µF 16WV	T
C111	F1H1H181A231	Ceramic, 180PF 50WV	T
C112	F1H1H181A231	Ceramic, 180PF 50WV	T
C113	F1K1C1060001	Ceramic, 10µF 16WV	T
C114	F1K1C1060001	Ceramic, 10µF 16WV	T
C121	F1H1H181A231	Ceramic, 180PF 50WV	T
C122	F1H1H181A231	Ceramic, 180PF 50WV	T
C123	F1K1C1060001	Ceramic, 10µF 16WV	T
C124	F1K1C1060001	Ceramic, 10µF 16WV	T
C125	F1H1C104A107	Chip, 0.1µF 16WV	T
C201	F2A1C100B261	Electrolytic, 10µF 16WV	T
C202	F1H1H152A842	Chip, 1500PF 50WV	T
C203	0JUTCMTS470M0	Electrolytic, 47µF 6.3WV	T
C204	F1H1H122A219	Ceramic, 1200PF 50WV	T
C205	F1H1E223A011	Chip, 0.022µF 25WV	T
C206	F1H1H122A219	Ceramic, 1200PF 50WV	T
C207	F2A1C470B260	Electrolytic, 47µF 16WV	T
C251	F2A1C100B261	Electrolytic, 10µF 16WV	T
C253	F1H1C104A107	Chip, 0.1µF 16WV	T
C254	F1H1C104A107	Chip, 0.1µF 16WV	T
C256	F1H1C104A107	Chip, 0.1µF 16WV	T
C257	F2A1C100B261	Electrolytic, 10µF 16WV	T
C258	F1H1C104A107	Chip, 0.1µF 16WV	T
C259	F2A1C470B260	Electrolytic, 47µF 16WV	T
C260	F2A1C470B260	Electrolytic, 47µF 16WV	T
C261	F2A1C100B261	Electrolytic, 10µF 16WV	T
C262	F2A1C470B260	Electrolytic, 47µF 16WV	T
C264	F2A1C100B261	Electrolytic, 10µF 16WV	T
C266	F2A1C100B261	Electrolytic, 10µF 16WV	T
C269	F1H1C104A107	Chip, 0.1µF 16WV	T
C272	F1K1C1060001	Ceramic, 10µF 16WV	T
C274	F1K1C1060001	Ceramic, 10µF 16WV	T
C287	1CUTCMTS100M0	Electrolytic, 10µF 16WV	T
C288	F2A1C100B261	Electrolytic, 10µF 16WV	T
C289	F2A1C100B261	Electrolytic, 10µF 16WV	T
C301	F2A1C100B261	Electrolytic, 10µF 16WV	T
C302	F1H1H152A842	Chip, 1500PF 50WV	T
C303	F2A0J470A407	Electrolytic, 47µF 6.3WV	T
C304	F1H1H122A219	Ceramic, 1200PF 50WV	T
C305	F1H1H122A219	Ceramic, 1200PF 50WV	T
C306	F1H1H122A219	Ceramic, 1200PF 50WV	T
C307	F1H1C104A107	Chip, 0.1µF 16WV	T
C351	F1H1C104A107	Chip, 0.1µF 16WV	T
C353	F2A1C100B261	Electrolytic, 10µF 16WV	T
C356	F1H1C104A107	Chip, 0.1µF 16WV	T
C357	F2A1C100B261	Electrolytic, 10µF 16WV	T
C358	F2A1C100B261	Electrolytic, 10µF 16WV	T
C359	F1H1C104A107	Chip, 0.1µF 16WV	T
C360	F2A1C100B261	Electrolytic, 10µF 16WV	T
C361	F2A1C100B261	Electrolytic, 10µF 16WV	T
C362	F1H1C104A107	Chip, 0.1µF 16WV	T
C363	F2A1C100B261	Electrolytic, 10µF 16WV	T
C364	F2A1C100B261	Electrolytic, 10µF 16WV	T
C365	F1H1C104A107	Chip, 0.1µF 16WV	T
C366	F2A1C100B261	Electrolytic, 10µF 16WV	T
C367	F2A1C100B261	Electrolytic, 10µF 16WV	T
C372	F1K1C1060001	Ceramic, 10µF 16WV	T
C374	F1K1C1060001	Ceramic, 10µF 16WV	T
C376	F2A1C100B261	Electrolytic, 10µF 16WV	T
C377	F1J1C105A173	Chip, 1µF 16WV	T
C378	F1H1C104A107	Chip, 0.1µF 16WV	T
C379	F1K0J4750001	Ceramic, 4.7µF 6.3WV	T
C380	F1K0J4750001	Ceramic, 4.7µF 6.3WV	T
C381	F1H1C104A107	Chip, 0.1µF 16WV	T
C382	ECA0JM331I	Electrolytic, 330µF 6.3WV	T
C383	F2A0J220A934	Electrolytic, 22µF 6.3WV	T







Ref. No.	Part No.	Part Name & Description	Remarks
FB109	J0JAC0000052	Coil	T
FB110	J0JAC0000052	Coil	T
FB111	J0JAC0000052	Coil	T
FB112	J0JAC0000052	Coil	T
FB113	J0JAC0000052	Coil	T
FB114	J0JAC0000052	Coil	T
FB115	J0JGC0000020	Coil	T
FB251	J0JGC0000029	Coil	T
FB254	J0JGC0000029	Coil	T
FB255	J0JGC0000029	Coil	T
FB351	J0JGC0000029	Coil	T
FB354	J0JGC0000029	Coil	T
FB355	J0JGC0000029	Coil	T
FB501	J0JCC0000036	Coil	T
FB502	J0JCC0000036	Coil	T
FB503	J0JHC0000026	Noise Filter	T
FB504	J0JCC0000036	Coil	T
FB507	J0JCC0000036	Coil	T
FB508	J0JCC0000090	Coil	T
FB509	J0JCC0000090	Coil	T
FB510	J0JCC0000036	Coil	T
FB511	J0JHC0000026	Noise Filter	T
FB512	J0JCC0000187	Coil	T
L251	G1C220JA0036	Coil	T
L351	G1C101JA0036	RF Coil	T
L353	G1C101JA0036	RF Coil	T
LC501	F1Z1E4710001	Coil	T
<b>CRYSTALS</b>			
XL500	H0J416500004	Crystal	T
<b>SURGE PROTECTOR</b>			
Z51	J0LD00000002	Surge Protector	T
[E-9787A] TFT/SWR/SWL Block			
<b>IC's AND TRANSISTORS</b>			
IC1	B3MBZ0000006	IC	T
IC2	PNA4603H	IC	T
IC401	C2BBY000199	IC	T
IC402	C0FBBD000065	IC	T
IC403	C0JBAA000115	IC	T
IC405	C0JBAA000115	IC	T
IC406	C0JBAA000115	IC	T
IC407	C0JBAA000115	IC	T
IC408	C0JBAA000115	IC	T
IC501	C0DBAZA00017	IC	T
IC502	C0DBAZC00010	IC	T
IC503	C0CBAAF00009	IC	T
IC504	C0DBEKG00001	IC	T
IC801	MN5820UB	IC	T
IC802	CLAB00002485	IC	T
IC803	C3FBLY000045	IC	T
IC805	CLAB00001604	IC	T
IC806	COABBB000069	IC	T
IC807	COABAA000104	IC	T
IC808	COABAA000104	IC	T
IC809	COABAA000104	IC	T
Q401	B1GDCFJN0011	Transistor	T
Q402	B1GFJN0013	Transistor	T
Q403	B1GHCFJN0003	Transistor	T
Q404	XN0438100L	Transistor	T
Q405	XN0438100L	Transistor	T
Q406	XN0438100L	Transistor	T
Q501	B1DZED000003	Transistor	T
Q502	B1DZED000003	Transistor	T
Q503	B1GBCFJJ0007	Transistor	T

Ref. No.	Part No.	Part Name & Description	Remarks
Q504	B1DHGD000005	Transistor	T
Q505	B1DHGD000005	Transistor	T
Q507	B1ADBD000003	Transistor	T
Q508	B1ABPC000007	Transistor	T
Q509	B1ADBD000003	Transistor	T
Q510	2SB0709AWL	Transistor	T
Q512	B1ABGE000005	Transistor	T
Q513	B1ABGE000005	Transistor	T
Q804	B1ABCF000018	Transistor	T
Q805	2SD1819ARL	Transistor	T
Q806	2SD1819ARL	Transistor	T
Q807	B1ABCF000018	Transistor	T
Q808	2SD1819ARL	Transistor	T
Q809	B1ABCF000018	Transistor	T
Q810	B1ABCF000044	Transistor	T
Q811	B1CEGG000001	Transistor	T
Q812	B1ABPC000007	Transistor	T
Q813	B1ADBD000003	Transistor	T
<b>DIODES</b>			
D1	B0BC5R600010	Zener Diode	T
D2	B3AEB0000083	LED	T
D3	B3AEB0000083	LED	T
D4	B3AEB0000083	LED	T
D5	B3AEB0000083	LED	T
D6	B3AEB0000083	LED	T
D7	B3AEB0000083	LED	T
D8	B3AEB0000083	LED	T
D9	B0BC5R600010	Zener Diode	T
D10	B0BC5R600010	Zener Diode	T
D11	B3AEB0000083	LED	T
D12	B3AEB0000083	LED	T
D13	B3AEB0000083	LED	T
D14	B3AEB0000083	LED	T
D15	B3AEB0000083	LED	T
D16	B3AEB0000083	LED	T
D17	B3AEB0000083	LED	T
D18	B3AEB0000083	LED	T
D19	B3AAB0000216	LED	T
D401	B0BD6R800002	Diode	T
D402	B0BD6R800002	Diode	T
D501	B0BC5R600010	Zener Diode	T
D502	B0ACCK000005	Diode	T
D503	B0BC5R600010	Zener Diode	T
D504	B0BC5R600010	Zener Diode	T
D505	MA3X15700L	Diode	T
D506	MA3X15700L	Diode	T
D507	B0JCPE000004	Diode	T
D508	B0JCPE000004	Diode	T
D509	B0JCPE000004	Diode	T
D510	B0JCPE000004	Diode	T
D511	B0BC9R600001	Zener Diode	T
D512	B0ACCK000005	Diode	T
D804	MA3X15300L	Diode	T
D805	B0JCRC000002	Diode	T
D806	B0BC3R4A0006	Zener Diode	T
D807	B0ACCK000005	Diode	T
D808	MA3J741D0L	Diode	T
D810	B0BC7R9A0054	Zener Diode	T
<b>CAPACITORS</b>			
C2	F1H1H103A842	Chip, 0.01µF 50WV	T
C3	F1H1H103A842	Chip, 0.01µF 50WV	T
C4	F1J1A2250004	Ceramic, 2.2µF 10WV	T
C5	F1H1C104A107	Chip, 0.1µF 16WV	T
C6	F1H1H102A190	Ceramic, 0.001µF 50WV	T
C7	F1H1C104A107	Chip, 0.1µF 16WV	T
C8	F1H0J1050010	Chip, 1µF 6.3WV	T
C401	F1G1A1040006	Chip, 0.1µF 10WV	T

Ref. No.	Part No.	Part Name & Description	Remarks
C402	FLK0J2260001	Ceramic, 22µF 6.3WV	T
C403	FLG1A1040006	Chip, 0.1µF 10WV	T
C404	FLH1H8R0A840	Chip, 8PF 50WV	T
C405	FLH1H8R0A840	Chip, 8PF 50WV	T
C406	FLK1C4740009	Chip, 0.47µF 16WV	T
C407	FLH1H103A842	Chip, 0.01µF 50WV	T
C408	FLH1H103A842	Chip, 0.01µF 50WV	T
C409	FLH1H103A842	Chip, 0.01µF 50WV	T
C410	FLH1H103A842	Chip, 0.01µF 50WV	T
C411	FLJ1A105A063	Chip, 1µF 10WV	T
C412	FLG1A1040006	Chip, 0.1µF 10WV	T
C414	FLG1A1040006	Chip, 0.1µF 10WV	T
C415	FLG1A1040006	Chip, 0.1µF 10WV	T
C416	FLG1A1040006	Chip, 0.1µF 10WV	T
C417	FLG1A1040006	Chip, 0.1µF 10WV	T
C418	FLH1H102A190	Ceramic, 0.001µF 50WV	T
C501	FLK1C1060001	Ceramic, 10µF 16WV	T
C502	FLK1C1060001	Ceramic, 10µF 16WV	T
C503	FLK1C1060001	Ceramic, 10µF 16WV	T
C504	FLK1C1060001	Ceramic, 10µF 16WV	T
C505	FLK1C1060001	Ceramic, 10µF 16WV	T
C506	FLK1C1060001	Ceramic, 10µF 16WV	T
C507	FLH1H103A842	Chip, 0.01µF 50WV	T
C508	FLJ0J4750003	Chip, 4.7µF 6.3WV	T
C509	FLH1H103A842	Chip, 0.01µF 50WV	T
C510	FLH1A4740004	Chip, 0.47µF 10WV	T
C511	FLJ0J106A038	Chip, 10µF 6.3WV	T
C512	FLG1A1040006	Chip, 0.1µF 10WV	T
C513	FLH1H103A842	Chip, 0.01µF 50WV	T
C514	FLH1H152A842	Chip, 1500PF 50WV	T
C515	FLH1C473A071	Chip, 0.047µF 16WV	T
C516	FLG1A1040006	Chip, 0.1µF 10WV	T
C517	FLH1H103A842	Chip, 0.01µF 50WV	T
C518	FLH1H221A841	Chip, 220PF 50WV	T
C519	FLH1C473A071	Chip, 0.047µF 16WV	T
C520	FLK1C1060001	Ceramic, 10µF 16WV	T
C521	FLK1C225A069	Chip, 2.2µF 16WV	T
C522	FLH1C333A054	Chip, 0.033µF 16WV	T
C523	FLL3F2200002	Chip, 22PF 3.16kVW	T
C524	FLJ0J106A038	Chip, 10µF 6.3WV	T
C525	FLJ0J106A038	Chip, 10µF 6.3WV	T
C526	FLG1A1040006	Chip, 0.1µF 10WV	T
C527	FLG1A1040006	Chip, 0.1µF 10WV	T
C528	FLH1H221A841	Chip, 220PF 50WV	T
C529	FLH1H103A842	Chip, 0.01µF 50WV	T
C530	FLH1H222A842	Chip, 2200PF 50WV	T
C531	FLH0J1050010	Chip, 1µF 6.3WV	T
C532	FLH0J1050010	Chip, 1µF 6.3WV	T
C533	FLJ1A105A063	Chip, 1µF 10WV	T
C534	FLJ0J106A038	Chip, 10µF 6.3WV	T
C535	EEFCD0J470R	Electrolytic, 47µF 6.3WV	T
C536	EEFCD0J470R	Electrolytic, 47µF 6.3WV	T
C537	FLJ0J106A038	Chip, 10µF 6.3WV	T
C538	FLL1E1060015	Ceramic, 10µF 25WV	T
C539	FLL1E1060015	Ceramic, 10µF 25WV	T
C540	FLL1E1060015	Ceramic, 10µF 25WV	T
C541	FLJ1H105A539	Chip, 1µF 50WV	T
C542	FLL1E1060015	Ceramic, 10µF 25WV	T
C543	FLH1H104A783	Ceramic, 0.1µF 50WV	T
C544	FLJ1A105A063	Chip, 1µF 10WV	T
C545	FLJ1A105A063	Chip, 1µF 10WV	T
C546	FLK0J2260001	Ceramic, 22µF 6.3WV	T
C547	FLJ1A105A063	Chip, 1µF 10WV	T
C548	FLL1E1060015	Ceramic, 10µF 25WV	T
C549	FLL1E1060015	Ceramic, 10µF 25WV	T
C550	FLJ1C105A173	Chip, 1µF 16WV	T
C551	FLK1C1060001	Ceramic, 10µF 16WV	T
C553	FLK1C1060001	Ceramic, 10µF 16WV	T
C554	FLH1C104A107	Chip, 0.1µF 16WV	T
C555	FLJ1A105A063	Chip, 1µF 10WV	T
C556	FLJ1A105A063	Chip, 1µF 10WV	T
C557	FLJ0J106A038	Chip, 10µF 6.3WV	T
C558	FLJ1C334A006	Ceramic, 0.33µF 16WV	T

Ref. No.	Part No.	Part Name & Description	Remarks
C559	EEFCD0J470R	Electrolytic, 47µF 6.3WV	T
C560	FLG1A1040006	Chip, 0.1µF 10WV	T
C561	FLJ1C334A006	Ceramic, 0.33µF 16WV	T
C562	EEFCD0G101R	Electrolytic, 100PF 4WV	T
C563	FLJ0J106A038	Chip, 10µF 6.3WV	T
C564	FLG1A1040006	Chip, 0.1µF 10WV	T
C566	FLH1H822A842	Chip, 8200PF 50WV	T
C568	FLL1E1060015	Ceramic, 10µF 25WV	T
C569	FLG1A1040006	Chip, 0.1µF 10WV	T
C801	FLH0J1050010	Chip, 1µF 6.3WV	T
C802	FLH0J1050010	Chip, 1µF 6.3WV	T
C803	FLH0J1050010	Chip, 1µF 6.3WV	T
C804	EEFCD0D101R	Electrolytic, 100PF 2WV	T
C805	EEFCD0J680R	Electrolytic, 68µF 6.3WV	T
C806	EEFCD0G101R	Electrolytic, 100PF 4WV	T
C807	FLK0G4760001	Chip, 47µF 4WV	T
C808	FLK0J2260001	Ceramic, 22µF 6.3WV	T
C809	EEFCD0D101R	Electrolytic, 100PF 2WV	T
C810	EEFCD0G101R	Electrolytic, 100PF 4WV	T
C812	FLJ0J106A038	Chip, 10µF 6.3WV	T
C813	FLJ0J106A038	Chip, 10µF 6.3WV	T
C814	FLJ0J106A038	Chip, 10µF 6.3WV	T
C815	FLJ1C105A173	Chip, 1µF 16WV	T
C819	FLH0J1050010	Chip, 1µF 6.3WV	T
C820	FLJ0J106A038	Chip, 10µF 6.3WV	T
C821	FLJ0J106A038	Chip, 10µF 6.3WV	T
C822	FLJ1A2250004	Ceramic, 2.2µF 10WV	T
C823	FLG1A1040006	Chip, 0.1µF 10WV	T
C824	FLG1A1040006	Chip, 0.1µF 10WV	T
C825	FLG1A1040006	Chip, 0.1µF 10WV	T
C826	FLG1A1040006	Chip, 0.1µF 10WV	T
C827	FLJ0J106A038	Chip, 10µF 6.3WV	T
C828	FLG1A1040006	Chip, 0.1µF 10WV	T
C829	FLG1A1040006	Chip, 0.1µF 10WV	T
C830	FLJ0J106A038	Chip, 10µF 6.3WV	T
C831	FLG1A1040006	Chip, 0.1µF 10WV	T
C832	FLG1A1040006	Chip, 0.1µF 10WV	T
C833	FLJ1A2250004	Ceramic, 2.2µF 10WV	T
C834	FLG1A1040006	Chip, 0.1µF 10WV	T
C835	FLG1A1040006	Chip, 0.1µF 10WV	T
C836	FLG1A1040006	Chip, 0.1µF 10WV	T
C837	FLG1A1040006	Chip, 0.1µF 10WV	T
C838	FLJ0J106A038	Chip, 10µF 6.3WV	T
C839	FLG1A1040006	Chip, 0.1µF 10WV	T
C840	FLG1A1040006	Chip, 0.1µF 10WV	T
C841	FLJ0J106A038	Chip, 10µF 6.3WV	T
C842	FLG1A1040006	Chip, 0.1µF 10WV	T
C843	FLG1A1040006	Chip, 0.1µF 10WV	T
C844	FLJ1A2250004	Ceramic, 2.2µF 10WV	T
C845	FLG1A1040006	Chip, 0.1µF 10WV	T
C846	FLG1A1040006	Chip, 0.1µF 10WV	T
C847	FLG1A1040006	Chip, 0.1µF 10WV	T
C848	FLG1A1040006	Chip, 0.1µF 10WV	T
C849	FLJ0J106A038	Chip, 10µF 6.3WV	T
C850	FLG1A1040006	Chip, 0.1µF 10WV	T
C851	FLG1A1040006	Chip, 0.1µF 10WV	T
C852	FLJ0J106A038	Chip, 10µF 6.3WV	T
C853	FLG1A1040006	Chip, 0.1µF 10WV	T
C854	FLG1A1040006	Chip, 0.1µF 10WV	T
C855	FLG1A1040006	Chip, 0.1µF 10WV	T
C856	FLG1A1040006	Chip, 0.1µF 10WV	T
C857	FLJ0J106A038	Chip, 10µF 6.3WV	T
C858	FLG1A1040006	Chip, 0.1µF 10WV	T
C859	FLG1A1040006	Chip, 0.1µF 10WV	T
C860	FLG1A1040006	Chip, 0.1µF 10WV	T
C861	FLG1A1040006	Chip, 0.1µF 10WV	T
C862	FLG1A1040006	Chip, 0.1µF 10WV	T
C863	FLG1A1040006	Chip, 0.1µF 10WV	T
C864	FLG1A1040006	Chip, 0.1µF 10WV	T
C865	FLG1A1040006	Chip, 0.1µF 10WV	T
C866	FLG1A1040006	Chip, 0.1µF 10WV	T
C867	FLG1A1040006	Chip, 0.1µF 10WV	T
C868	FLH1H332A748	Chip, 3300PF 50WV	T

Ref. No.	Part No.	Part Name & Description	Remarks
C869	FLH1C683A107	Chip, 0.068μF 16WV	T
C870	FIG1A1040006	Chip, 0.1μF 10WV	T
C871	FIG1A1040006	Chip, 0.1μF 10WV	T
C872	FIH0J1050010	Chip, 1μF 6.3WV	T
C873	FIH1H102A190	Ceramic, 0.001μF 50WV	T
C874	FIG1A1040006	Chip, 0.1μF 10WV	T
C875	FIH0J1050010	Chip, 1μF 6.3WV	T
C876	FIH1H90A840	Chip, 9PF 50WV	T
C877	FIH1H3R0A255	Ceramic, 3PF 50WV	T
C878	FIG1A1040006	Chip, 0.1μF 10WV	T
C879	FIG1A1040006	Chip, 0.1μF 10WV	T
C880	FIG1A1040006	Chip, 0.1μF 10WV	T
C884	FIG1A1040006	Chip, 0.1μF 10WV	T
C885	FIH1H101A737	Chip, 100PF 50WV	T
C886	FIG1A1040006	Chip, 0.1μF 10WV	T
C887	FIH1H101A737	Chip, 100PF 50WV	T
C888	FIG1A1040006	Chip, 0.1μF 10WV	T
C889	FIH1H101A737	Chip, 100PF 50WV	T
C890	FIG1A1040006	Chip, 0.1μF 10WV	T
C891	FIH0J1050010	Chip, 1μF 6.3WV	T
C892	FIG1A1040006	Chip, 0.1μF 10WV	T
C893	FIH0J1050010	Chip, 1μF 6.3WV	T
C894	FIG1A1040006	Chip, 0.1μF 10WV	T
C895	FIG1A1040006	Chip, 0.1μF 10WV	T
C896	FIG1A1040006	Chip, 0.1μF 10WV	T
C897	FIG1A1040006	Chip, 0.1μF 10WV	T
C898	FIH0J1050010	Chip, 1μF 6.3WV	T
C899	FIG1A1040006	Chip, 0.1μF 10WV	T
C900	FIH0J1050010	Chip, 1μF 6.3WV	T
C901	FIG1A1040006	Chip, 0.1μF 10WV	T
C902	FIG1A1040006	Chip, 0.1μF 10WV	T
C903	FLJ1A106A023	Chip, 10μF 10WV	T
C904	FIG1A1040006	Chip, 0.1μF 10WV	T
C907	FIG1A1040006	Chip, 0.1μF 10WV	T
C908	FIG1A1040006	Chip, 0.1μF 10WV	T
C909	FIG1A1040006	Chip, 0.1μF 10WV	T
C910	FIG1A1040006	Chip, 0.1μF 10WV	T
C911	FIG1A1040006	Chip, 0.1μF 10WV	T
C912	FIH0J1050010	Chip, 1μF 6.3WV	T
C913	FIG1A1040006	Chip, 0.1μF 10WV	T
C916	FIG1A1040006	Chip, 0.1μF 10WV	T
C917	FIG1A1040006	Chip, 0.1μF 10WV	T
C918	FIH0J1050010	Chip, 1μF 6.3WV	T
C919	FIG1A1040006	Chip, 0.1μF 10WV	T
C920	FIG1A1040006	Chip, 0.1μF 10WV	T
C921	FIG1A1040006	Chip, 0.1μF 10WV	T
C922	FLJ0J106A038	Chip, 10μF 6.3WV	T
C923	FIG1A1040006	Chip, 0.1μF 10WV	T
C924	FIG1A1040006	Chip, 0.1μF 10WV	T
C925	FIH1H4710003	Ceramic, 470PF 50WV	T
C926	FLJ0J106A038	Chip, 10μF 6.3WV	T
C927	FLJ0J106A038	Chip, 10μF 6.3WV	T
C928	FIH1E223A011	Chip, 0.022μF 25WV	T
C932	FIH1C104A107	Chip, 0.1μF 16WV	T
C933	FIH1H104A783	Ceramic, 0.1μF 50WV	T
C934	FIH0J1050010	Chip, 1μF 6.3WV	T
C935	FLJ0J106A038	Chip, 10μF 6.3WV	T
C936	FIH1H470A841	Chip, 47μF 50WV	T
C937	FIH1H101A737	Chip, 100PF 50WV	T
C938	FLJ1A2250004	Ceramic, 2.2μF 10WV	T
C939	FLJ1A2250004	Ceramic, 2.2μF 10WV	T
C940	FLJ1A2250004	Ceramic, 2.2μF 10WV	T
C941	FLJ1A106A023	Chip, 10μF 10WV	T
C942	FIG1A1040006	Chip, 0.1μF 10WV	T
C943	FIG1A1040006	Chip, 0.1μF 10WV	T
C944	EEFCD0J470R	Electrolytic, 47μF 6.3WV	T
C945	FIH0J1050010	Chip, 1μF 6.3WV	T
C946	FIH0J1050010	Chip, 1μF 6.3WV	T
C947	EEFCD0J470R	Electrolytic, 47μF 6.3WV	T
C948	FK1C1060001	Ceramic, 10μF 16WV	T
C949	F4Z1D2260001	Chip, 22μF 20WV	T
C950	FL1E1060015	Ceramic, 10μF 25WV	T
C951	FIH0J1050010	Chip, 1μF 6.3WV	T

Ref. No.	Part No.	Part Name & Description	Remarks
C952	EEFCD0J470R	Electrolytic, 47μF 6.3WV	T
C953	FIG1A1040006	Chip, 0.1μF 10WV	T
C954	FIG1A1040006	Chip, 0.1μF 10WV	T
C955	EEFCD0J470R	Electrolytic, 47μF 6.3WV	T
C957	FIH1H331A900	Chip, 330PF 50WV	T
C958	FIH1H470A841	Chip, 47PF 50WV	T
C959	F1H1E102A034	Chip, 1000PF 25WV	T
C960	F1H1E102A034	Chip, 1000PF 25WV	T
C961	F1H1E102A034	Chip, 1000PF 25WV	T
C962	F1H1E102A034	Chip, 1000PF 25WV	T
C963	F1J0J106A038	Chip, 10μF 6.3WV	T
RESISTORS			
FB503	D0GBR00JA008	Chip, 0Ω 1/10W	T
R1	D0GB101JA008	Chip, 100Ω 1/10W	T
R2	ERJ3RBD332V	Chip, 3.3kΩ 1/16W	T
R3	ERJ3RBD682V	Chip, 6.8kΩ 1/16W	T
R4	ERJ3RBD223V	Chip, 22kΩ 1/16W	T
R5	D0GB103JA008	Chip, 10kΩ	T
R6	D0GB101JA008	Chip, 100Ω 1/10W	T
R7	D0GB821JA008	Chip, 820Ω 1/10W	T
R8	D0GB821JA008	Chip, 820Ω 1/10W	T
R9	D0GB821JA008	Chip, 820Ω 1/10W	T
R10	D0GB821JA008	Chip, 820Ω 1/10W	T
R11	D0GB821JA008	Chip, 820Ω 1/10W	T
R12	D0GB821JA008	Chip, 820Ω 1/10W	T
R13	D0GB821JA008	Chip, 820Ω 1/10W	T
R14	ERJ3RBD332V	Chip, 3.3kΩ 1/16W	T
R15	ERJ3RBD682V	Chip, 6.8kΩ 1/16W	T
R16	ERJ3RBD223V	Chip, 22kΩ 1/16W	T
R17	D0GB101JA008	Chip, 100Ω 1/10W	T
R18	D0GB821JA008	Chip, 820Ω 1/10W	T
R19	D0GB821JA008	Chip, 820Ω 1/10W	T
R20	D0GB821JA008	Chip, 820Ω 1/10W	T
R21	D0GB821JA008	Chip, 820Ω 1/10W	T
R22	D0GB821JA008	Chip, 820Ω 1/10W	T
R23	D0GB101JA008	Chip, 100Ω 1/10W	T
R24	D0GB101JA008	Chip, 100Ω 1/10W	T
R25	D0GB101JA008	Chip, 100Ω 1/10W	T
R26	D0GB102JA008	Chip, 1kΩ 1/10W	T
R28	D0GB821JA008	Chip, 820Ω 1/10W	T
R29	D0GB821JA008	Chip, 820Ω 1/10W	T
R30	D0GB821JA008	Chip, 820Ω 1/10W	T
R31	D0GB152JA008	Chip, 1.5kΩ 1/10W	T
R401	D0GA102JA012	Chip, 1kΩ	T
R402	D0GA104JA020	Chip, 100kΩ	T
R403	D0GAR00JA020	Chip, 0Ω	T
R404	D0GA101JA012	Chip, 100Ω	T
R405	D0GA102JA012	Chip, 1kΩ	T
R406	D0GA472JA012	Chip, 4.7kΩ	T
R407	D0GB221JA008	Chip, 220Ω 1/10W	T
R409	D0GA221JA020	Chip, 220Ω	T
R410	D0GA221JA020	Chip, 220Ω	T
R411	D0GA472JA012	Chip, 4.7kΩ	T
R412	D0GA472JA012	Chip, 4.7kΩ	T
R413	D0GA102JA012	Chip, 1kΩ	T
R416	D0GA101JA012	Chip, 100Ω	T
R417	D0GA101JA012	Chip, 100Ω	T
R418	D0GA102JA012	Chip, 1kΩ	T
R423	D0GA102JA012	Chip, 1kΩ	T
R424	D0GA221JA020	Chip, 220Ω	T
R425	D0GA221JA020	Chip, 220Ω	T
R426	D0GA103JA012	Chip, 10kΩ	T
R427	D0GA474JA020	Chip, 470kΩ	T
R428	D0GA102JA012	Chip, 1kΩ	T
R429	D0GA220JA020	Chip, 22Ω	T
R431	D0GA220JA020	Chip, 22Ω	T
R432	D0GA220JA020	Chip, 22Ω	T
R433	D0GA220JA020	Chip, 22Ω	T
R434	D0GA220JA020	Chip, 22Ω	T
R435	D0GB750JA008	Chip, 75Ω 1/10W	T

Ref. No.	Part No.	Part Name & Description	Remarks
R436	DOGA102JA012	Chip, 1k $\Omega$	T
R438	DOGDR00JA017	Chip, 0 $\Omega$ 1/16W	T
R439	DOGDR00JA017	Chip, 0 $\Omega$ 1/16W	T
R440	DOGDR00JA017	Chip, 0 $\Omega$ 1/16W	T
R441	DOGDR00JA017	Chip, 0 $\Omega$ 1/16W	T
R442	DOGA102JA012	Chip, 1k $\Omega$	T
R444	DOGA103JA012	Chip, 10k $\Omega$	T
R445	DOGA103JA012	Chip, 10k $\Omega$	T
R447	DOGA102JA012	Chip, 1k $\Omega$	T
R454	DOGA102JA012	Chip, 1k $\Omega$	T
R455	DOGA102JA012	Chip, 1k $\Omega$	T
R456	DOGA102JA012	Chip, 1k $\Omega$	T
R501	DOGA563JA020	Chip, 56k $\Omega$	T
R502	DOGA472JA012	Chip, 4.7k $\Omega$	T
R503	DOGA105JA012	Chip, 1M $\Omega$	T
R504	ERJ3RBD134V	Chip, 130k $\Omega$ 1/16W	T
R505	ERJ3RBD513V	Chip, 51k $\Omega$ 1/16W	T
R506	ERJ3RBD333V	Chip, 33k $\Omega$ 1/16W	T
R507	ERJ6ENF4700V	Chip, 470 $\Omega$ 1/10W	T
R508	DOGB473JA008	Chip, 47k $\Omega$ 1/10W	T
R509	DOGA153JA020	Chip, 15k $\Omega$	T
R510	DOGA103JA012	Chip, 10k $\Omega$	T
R511	DOGA103JA012	Chip, 10k $\Omega$	T
R512	DOGA472JA012	Chip, 4.7k $\Omega$	T
R513	DOGA103JA012	Chip, 10k $\Omega$	T
R514	DOGB393JA008	Chip, 39k $\Omega$ 1/10W	T
R515	DOGB563JA008	Chip, 56k $\Omega$ 1/10W	T
R516	DOGA103JA012	Chip, 10k $\Omega$	T
R517	DOGA103JA012	Chip, 10k $\Omega$	T
R518	DOGB223JA008	Chip, 22k $\Omega$ 1/10W	T
R519	DOGB103JA008	Chip, 10k $\Omega$	T
R520	DOGA103JA012	Chip, 10k $\Omega$	T
R521	DOGA103JA012	Chip, 10k $\Omega$	T
R522	DOGB222JA008	Chip, 2.2k $\Omega$ 1/10W	T
R523	DOGB563JA008	Chip, 56k $\Omega$ 1/10W	T
R524	DOGB333JA008	Chip, 33k $\Omega$ 1/10W	T
R525	DOGDR00JA017	Chip, 0 $\Omega$ 1/16W	T
R527	DOGD510JA017	Chip, 51 $\Omega$ 1/8W	T
R528	DOGB223JA008	Chip, 22k $\Omega$ 1/10W	T
R529	DOGB222JA008	Chip, 2.2k $\Omega$ 1/10W	T
R530	DOGB153JA008	Chip, 15k $\Omega$ 1/10W	T
R531	DOGB152JA008	Chip, 1.5k $\Omega$ 1/10W	T
R532	DOGB102JA008	Chip, 1k $\Omega$ 1/10W	T
R534	DOGB473JA008	Chip, 47k $\Omega$ 1/10W	T
R535	DOGB123JA008	Chip, 12k $\Omega$ 1/10W	T
R537	DOGB471JA008	Chip, 470 $\Omega$ 1/10W	T
R540	DOGN3R9JA005	Chip, 3.9 $\Omega$ 1/2W	T
R542	DOGB102JA008	Chip, 1k $\Omega$ 1/10W	T
R543	DOGB102JA008	Chip, 1k $\Omega$ 1/10W	T
R544	DOGB102JA008	Chip, 1k $\Omega$ 1/10W	T
R545	D1BB2001A012	Chip, 2k $\Omega$	T
R546	DOGB330JA008	Chip, 33 $\Omega$ 1/10W	T
R547	D1BB1201A028	Chip, 1.2k $\Omega$	T
R549	DOGB331JA008	Chip, 330 $\Omega$ 1/10W	T
R550	DOGD151JA017	Chip, 150 $\Omega$ 1/8W	T
R551	DOGB332JA008	Chip, 3.3k $\Omega$ 1/10W	T
R554	DOGB333JA008	Chip, 33k $\Omega$ 1/10W	T
R555	DOGB333JA008	Chip, 33k $\Omega$ 1/10W	T
R556	DOGB471JA008	Chip, 470 $\Omega$ 1/10W	T
R803	DOGA333JA020	Chip, 33k $\Omega$	T
R804	DOGA473JA012	Chip, 47k $\Omega$	T
R807	DOGA333JA020	Chip, 33k $\Omega$	T
R808	DOGA473JA012	Chip, 47k $\Omega$	T
R811	DOGA333JA020	Chip, 33k $\Omega$	T
R812	DOGA473JA012	Chip, 47k $\Omega$	T
R813	DOGA153JA020	Chip, 15k $\Omega$	T
R814	DOGA103JA012	Chip, 10k $\Omega$	T
R816	DOGBR00JA008	Chip, 0 $\Omega$ 1/10W	T
R817	DOGA101JA012	Chip, 100 $\Omega$	T
R818	DOGA471JA012	Chip, 470 $\Omega$	T
R819	DOGA101JA012	Chip, 100 $\Omega$	T
R820	DOGA471JA012	Chip, 470 $\Omega$	T
R821	DOGA101JA012	Chip, 100 $\Omega$	T

Ref. No.	Part No.	Part Name & Description	Remarks
R823	DOGA151JA020	Chip, 150 $\Omega$	T
R824	DOGA331JA020	Chip, 330 $\Omega$	T
R825	DOGA101JA012	Chip, 100 $\Omega$	T
R826	DOGA471JA012	Chip, 470 $\Omega$	T
R827	D1BB1002A012	Chip, 10k $\Omega$	T
R828	D1BB1002A012	Chip, 10k $\Omega$	T
R829	D1BB1002A012	Chip, 10k $\Omega$	T
R830	D1BB1002A012	Chip, 10k $\Omega$	T
R831	D1BD1001A030	Chip, 1k $\Omega$	T
R832	D1BD1001A030	Chip, 1k $\Omega$	T
R833	D1BB2001A012	Chip, 2k $\Omega$	T
R834	DOGB101JA008	Chip, 100 $\Omega$ 1/10W	T
R835	D1BD1201A030	Chip, 1.2k $\Omega$	T
R836	DOGB470JA008	Chip, 47 $\Omega$ 1/10W	T
R837	DOGA181JA020	Chip, 180 $\Omega$	T
R838	DOGA181JA020	Chip, 180 $\Omega$	T
R839	DOGA563JA020	Chip, 56k $\Omega$	T
R840	DOGA102JA012	Chip, 1k $\Omega$	T
R841	DOGA152JA020	Chip, 1.5k $\Omega$	T
R842	DOGA181JA020	Chip, 180 $\Omega$	T
R843	DOGA181JA020	Chip, 180 $\Omega$	T
R844	DOGA181JA020	Chip, 180 $\Omega$	T
R845	DOGA181JA020	Chip, 180 $\Omega$	T
R846	DOGA220JA020	Chip, 22 $\Omega$	T
R847	DOGA220JA020	Chip, 22 $\Omega$	T
R848	DOGAR00JA020	Chip, 0 $\Omega$	T
R849	DOGBR00JA008	Chip, 0 $\Omega$ 1/10W	T
R850	DOGBR00JA008	Chip, 0 $\Omega$ 1/10W	T
R851	DOGA153JA020	Chip, 15k $\Omega$	T
R852	DOGA105JA012	Chip, 1M $\Omega$	T
R853	DOGBR00JA008	Chip, 0 $\Omega$ 1/10W	T
R854	DOGA103JA012	Chip, 10k $\Omega$	T
R855	DOGA103JA012	Chip, 10k $\Omega$	T
R856	DOGA472JA012	Chip, 4.7k $\Omega$	T
R857	DOGA102JA012	Chip, 1k $\Omega$	T
R858	DOGB271JA008	Chip, 270 $\Omega$ 1/10W	T
R859	DOGA103JA012	Chip, 10k $\Omega$	T
R860	DOGA101JA012	Chip, 100 $\Omega$	T
R861	DOGB101JA008	Chip, 100 $\Omega$ 1/10W	T
R862	DOGB101JA008	Chip, 100 $\Omega$ 1/10W	T
R863	DOGB470JA008	Chip, 47 $\Omega$ 1/10W	T
R864	DOGB470JA008	Chip, 47 $\Omega$ 1/10W	T
R865	DOGB470JA008	Chip, 47 $\Omega$ 1/10W	T
R866	DOGB101JA008	Chip, 100 $\Omega$ 1/10W	T
R867	DOGB101JA008	Chip, 100 $\Omega$ 1/10W	T
R868	DOGAR00JA020	Chip, 0 $\Omega$	T
R869	DOGAR00JA020	Chip, 0 $\Omega$	T
R870	DOGAR00JA020	Chip, 0 $\Omega$	T
R871	DOGAR00JA020	Chip, 0 $\Omega$	T
R872	DOGAR00JA020	Chip, 0 $\Omega$	T
R873	DOGAR00JA020	Chip, 0 $\Omega$	T
R874	DOGAR00JA020	Chip, 0 $\Omega$	T
R875	DOGAR00JA020	Chip, 0 $\Omega$	T
R876	DOGAR00JA020	Chip, 0 $\Omega$	T
R877	DOGAR00JA020	Chip, 0 $\Omega$	T
R879	DOGA102JA012	Chip, 1k $\Omega$	T
R880	DOGA102JA012	Chip, 1k $\Omega$	T
R881	DOGA103JA012	Chip, 10k $\Omega$	T
R882	DOGA103JA012	Chip, 10k $\Omega$	T
R883	DOGA103JA012	Chip, 10k $\Omega$	T
R884	DOGA103JA012	Chip, 10k $\Omega$	T
R885	DOGA103JA012	Chip, 10k $\Omega$	T
R886	DOGA103JA012	Chip, 10k $\Omega$	T
R888	DOGBR00JA008	Chip, 0 $\Omega$ 1/10W	T
R889	DOGA103JA012	Chip, 10k $\Omega$	T
R890	DOGA103JA012	Chip, 10k $\Omega$	T
R891	DOGA103JA012	Chip, 10k $\Omega$	T
R892	DOGA102JA012	Chip, 1k $\Omega$	T
R893	DOGA102JA012	Chip, 1k $\Omega$	T
R894	DOGA102JA012	Chip, 1k $\Omega$	T
R895	DOGA102JA012	Chip, 1k $\Omega$	T
R896	DOGA102JA012	Chip, 1k $\Omega$	T
R897	DOGA102JA012	Chip, 1k $\Omega$	T



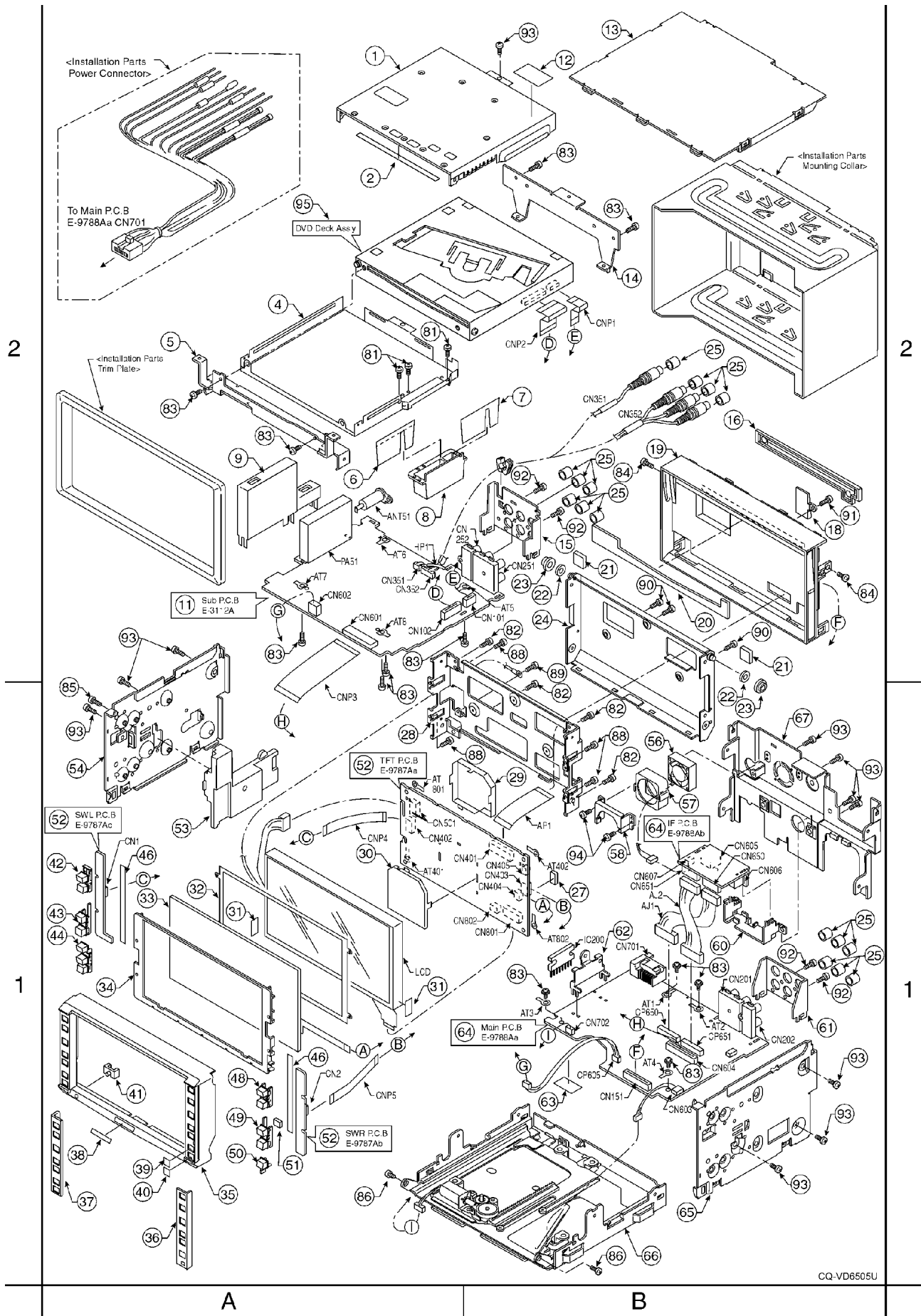
Ref. No.	Part No.	Part Name & Description	Remarks
X801	H0J420500003	Crystal	T
NETWORK RESISTORS			
RA401	D1H81024A043	Net Work Resistor	T
RA407	D1H81014A043	Net Work Resistor	T
RA409	D1H81024A043	Net Work Resistor	T
RA410	D1H81044A043	Net Work Resistor	T
RA411	D1H81024A043	Net Work Resistor	T
RA412	D1H81014A043	Net Work Resistor	T
RA801	D1H81034A043	Net Work Resistor	T
RA802	D1H81034A043	Net Work Resistor	T
RA803	D1H81034A043	Net Work Resistor	T
RA804	D1H81034A043	Net Work Resistor	T
RA805	D1H81034A043	Net Work Resistor	T
RA806	D1H81034A043	Net Work Resistor	T
RA807	D1H81034A043	Net Work Resistor	T
RA808	D1H81024A043	Net Work Resistor	T
RA809	D1H81024A043	Net Work Resistor	T
RA810	D1H81024A043	Net Work Resistor	T
RA811	D1H81024A043	Net Work Resistor	T
RA812	D1H81024A043	Net Work Resistor	T
RA813	D1H81024A043	Net Work Resistor	T
RA814	D1H81024A043	Net Work Resistor	T
RA815	D1H81024A043	Net Work Resistor	T
INVERTER			
T501	ETJV18ZE2ZAB	Inverter	T
Accessories			
PRINTINGS			
	-	Operating Instructions	TSN
	-	System Upgrade Guidebook	TSN
	-	Installation Instructions	TSN
INSTALLATION PARTS			
	EUR7641060	Remote Control Unit	T
	CR2025/1F	Lithium Battery (CR2025)	T ▲
	YEFX9991793	Wiping Cloth	T
	YFC054C088ZA	Trim Plate	T
	YFX214C437ZA	Mounting Collar	T
	YFX994C134ZA	Lock Cancel Plate	T
	ZZBISVD7005A	Bis kit (Mounting Bolt Tapping Screw Hex. Nut) T	
	YFEG044C002	Rear Support Strap	T
	ZZBISVD6505	Screw kit (Round Head Screw Flat-Head Screw) T	
	YEAJ012890	Power Connector Reverse Extension Cord Clip Connector T	
Mechanical Parts			
MISCELLANEOUS			
CN351 352	YEAER343800I	RCA Cord	T
AJ1	YEA21410000	Connector, 14P	T
AJ2	YEA21510000	Connector, 15P	T
CNP1	YEAFFC087S	FFC, 12P	T
CNP2	YEAFFC088S	FFC, 30P	T
CNP3	YEAFFC089S	FFC, 60P	T
CNP4	YEAFFC090S	FFC, 12P	T
CNP5	YEAFFC090S	FFC, 12P	T

Ref. No.	Part No.	Part Name & Description	Remarks
AP1	YEAP2989	FFC, 40P	T
ANT51	YEAA10064	Ant. Recetacle	T
AT1-4	K4CD01000015	Terminal, Main	T
AT5-8	YAT034C009ZA	Terminal, Sub	T
AT40140 2	K4CD01000015	Terminal, Sub	T
AT80180 2	K4CD01000015	Terminal, Sub	T
HP1	YEAT034C011	Terminal, Sub	T
LCD	C065GW01V1	LCD Panel Monitor (6.5)	T
1	YFX214C393ZA	Deck Shield, UP	T
2	YFV014C107ZA	Deck Sheet, UP	T
4	YFX214C394ZA	Deck Shield, Down	T
5	YFX214C409ZA	Deck Bracket, FR	T
6	YFV014C104ZA	Sheet, B	T
7	YFV014C103ZA	Sheet, A	T
8	YFF014C057ZA	Deck Holder, Down	T
9	YFX214C396ZA	Tuner Shield, PA51	T
11	APCB3112A0J	Sub PCB w/Component	T/RTL
12	YFM024C524CA	Laser Seal	T
13	YFA034C054ZA	Upper Cover	T
14	YFX214C408ZA	Deck Bracket, RR	T
15	YFX214C398ZA	RCA Bracket, UP	T
16	YFS014C111ZA	Dust Felt	T
18	YFX014C094ZA	Disc Panel	T
19	YFC034C027ZA	ESC Holder	T
20	YFJ014C188ZA	PANEL (U)	T
21	YFV014C123ZA	Space, Rear Cover	T
22	YEFS04671	Damper	T
23	YEFW05362C	Roller, Low Case	T
24	YFA024C004ZA	ESC Rear Cover	T
25	YFR044C013ZA	RCA Cap	T
27	YFS014C755ZE	Himlon	T
28	YFX214C414ZA	Panel Bracket	T
29	YFX214C441ZA	TFT Shield Case, Top	T
30	YFX214C440ZA	TFT Shield Case, Bottom	T
31	YFV024C111ZA	TFT Sheet	T
32	YFV024C109ZA	Touch Panel Pad	T
33	N2BAAHD00006	6.5Touch Panel	T
34	YFC034C028ZA	Touch Panel Holder	T
35	YFC034C102CA	Front Panel	T
36	YFJ014C186ZA	Ornament Plate, P	T
37	YFJ014C187ZA	Ornament Plate, L	T
38	YEFN07025	Panasonic Badge	T
39	YFV014C105ZA	Sensor Cover	T
40	YFV014C106ZA	Dimmer Cover	T
41	YFX014C095ZA	Security Cover	T
42	YFE134C520ZA	SRC/MENU Button	T
43	YFE134C519ZA	Vol Button	T
44	YFE134C525ZA	MUTE/ASP/EJECT Button	T
46	YFV024C113ZA	Sheet	T
48	YFE134C523ZA	ALBUM FOLDER Button	T
49	YFE134C524ZA	TUNR TRACK Button	T
50	YFE134C522ZA	Navi Button	T
51	YFX994C138ZA	Sponge, Button	T
52	APCB9787A0J	TFT/SW-R/SW-L w/Component	PCB T/RTL
53	YFF014C056ZA	Heat Sink	T
54	YFA094C100ZA	Plate, side (L)	T
56	UDQFBFM21	FAN	T
57	YFS014C115ZA	FAN Pad	T
58	YFX214C416ZA	FAN Bracket,	T
60	YFX214C395ZA	Connect Bracket, IF	T
61	YFX214C397ZA	RCA Bracket, Down	T
62	YEX214C403CA	Bracket, IC200	T
63	YFS014C103ZA	Sheet, CP605	T
64	APCB9788A0J	Main/IF PCB w/Component	T/RTL
65	YFA094C099ZA	Right Plate	T
66	YFA014C070ZA	Slide Mechanism Ass'y	T
67	YFA084C065ZA	Rear Plate	T
81	YEJS06311	Screw	T

Ref. No.	Part No.	Part Name & Description	Remarks
82	YJT014C002FN	Screw	T
83	YEJT03340	Screw	T
84	YEJT034C001Z	Screw	T
85	YJS064C002FN	Screw, M3*8	T
86	YJS064C006ZA	Bump Screw	T
88	XTB2+10GFN	Screw	T
89	XTB2+4FFN	Screw	T
90	XTB2+4FFZ	Screw	T
91	XTB2+6GFN	Screw, 2*6	T
92	XTB26+8GFN	Screw	T
93	XTB3+6FFN	Screw	T
94	XYN2+J4FN	Screw	T
95	YGFD69248	Deck Assy	T



# 13 EXPLODED VIEW (Unit)



# 14 DVD PLAYER PARTS LIST

Notes :

1. Be sure to make your orders of replacement parts according to this list.
2. Important safety notice: Components, identified by  $\Delta$  mark have special characteristics important for safety. When replacing any of these components, use only manufacturer's specified parts.
3. Location keys in the remarks column indicates the general location of the parts shown in the exploded drawing, as in a road map.
4. The marking (RTL) indicates that Retention Time is limited for this item. After the discontinuation of assembly in production, the item will continue to be available for a specific period of time. The retention period of availability is dependent on the type of assembly, and in accordance with the laws governing part and product retention. After the end of this period, the assembly will no longer be available.

Ref. No.	Part No.	Part Name & Description	Remarks
[E9453B] DVD Servo Block			
IC's AND TRANSISTORS			
IC101	AN8703FH-V	IC	
IC201	MNZS26EDCUB	IC	
IC271	COJBAA000372	IC	
IC275	COJBAA001014	IC	
IC311	COGBY0000012	IC	
IC321	COGBH0000006	IC	
IC411	COCBADC00084	IC	
IC421	YEAM17805FP	IC	
IC431	COJBAA000356	IC	
IC441	MN13821JP	IC	
IC501	CLAB00002402	IC	
IC561	COJBAA001014	IC	
IC601	C3ABPJ000074	IC	
IC621	C3FBMD000282	IC	
IC631	COJBAH000082	IC	
IC641	COJBAH000082	IC	
IC651	C3GBCA000001	IC	
IC652	COJBAB000255	IC	
IC721	COFBBK000048	IC	
Q151	2SB766ATX	Transistor	
Q152	2SB766ATX	Transistor	
Q153	BLGDCFNN0007	Transistor	
Q154	BLGBCFNN0009	Transistor	
Q251	B3HB00000023	Transistor	
Q252	B3HB00000023	Transistor	
Q253	B3HB00000023	Transistor	
Q301	BLGBGEEA0001	Transistor	
Q321	BLGBGFGG0001	Transistor	
DIODE			
D311	MA721TX	Diode	
CAPACITORS			
C101	FIG1H5610004	Ceramic, 560PF 50WV	
C102	FIG1A104A014	Ceramic, 0.1 $\mu$ F 10WV	
C103	FIG1H1020008	Ceramic, 1000PF 50WV	
C104	FIG1H1020008	Ceramic, 1000PF 50WV	
C113	FIG1A104A014	Ceramic, 0.1 $\mu$ F 10WV	
C114	FIG1J0106A014	Ceramic, 10 $\mu$ F 6.3WV	
C115	FIG1J0106A014	Ceramic, 10 $\mu$ F 6.3WV	
C116	FIG1H1020008	Ceramic, 1000PF 50WV	
C117	FIG1J0106A014	Ceramic, 10 $\mu$ F 6.3WV	

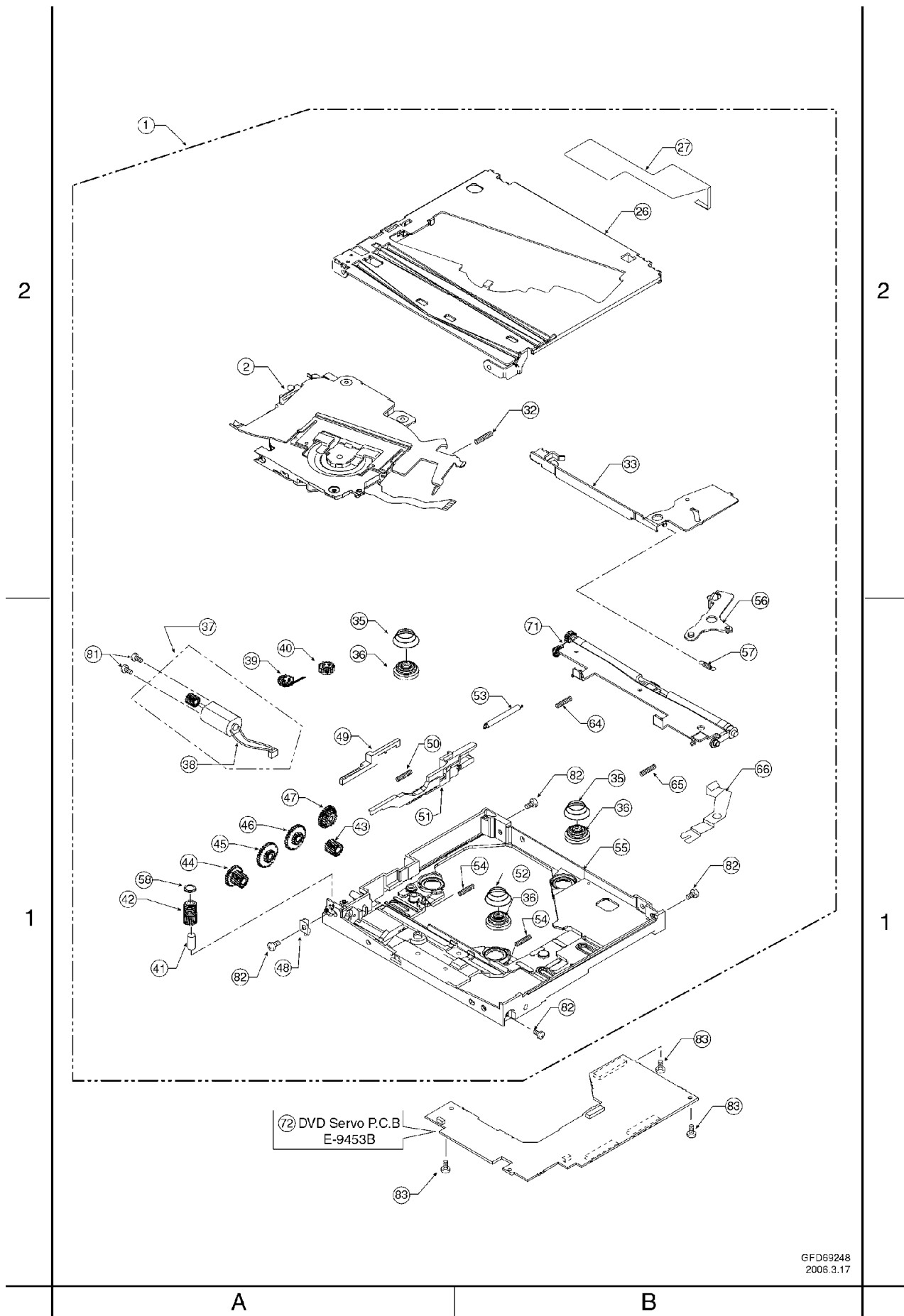
Ref. No.	Part No.	Part Name & Description	Remarks
C121	FIG1H6R0A608	Ceramic, 6PF 50WV	
C122	FIG1J0106A014	Ceramic, 10 $\mu$ F 6.3WV	
C124	FIG1A104A014	Ceramic, 0.1 $\mu$ F 10WV	
C125	FIG1A104A014	Ceramic, 0.1 $\mu$ F 10WV	
C126	F1H1E273A011	Ceramic, 0.027 $\mu$ F 25WV	
C127	F1H1C473A005	Ceramic, 0.047 $\mu$ F 16WV	
C128	FIG1A104A014	Ceramic, 0.1 $\mu$ F 10WV	
C129	FIG1H101A566	Ceramic, 100PF 50WV	
C131	FIG1H5610004	Ceramic, 560PF 50WV	
C132	FIG1H5610004	Ceramic, 560PF 50WV	
C133	FIG1A104A014	Ceramic, 0.1 $\mu$ F 10WV	
C134	FIG1A104A014	Ceramic, 0.1 $\mu$ F 10WV	
C136	FIG1A104A014	Ceramic, 0.1 $\mu$ F 10WV	
C137	FIG1J0106A014	Ceramic, 10 $\mu$ F 6.3WV	
C141	FIG1C1030008	Ceramic, 0.01 $\mu$ F 16WV	
C142	FIG1A104A014	Ceramic, 0.1 $\mu$ F 10WV	
C143	FIG1A104A014	Ceramic, 0.1 $\mu$ F 10WV	
C144	FIG1A104A014	Ceramic, 0.1 $\mu$ F 10WV	
C145	FIG1A104A014	Ceramic, 0.1 $\mu$ F 10WV	
C151	FIG1A104A014	Ceramic, 0.1 $\mu$ F 10WV	
C152	YECW0J476MS	Tantalum, 47 $\mu$ F 6.3WV	
C153	FIG1A104A014	Ceramic, 0.1 $\mu$ F 10WV	
C154	YECW0J476MS	Tantalum, 47 $\mu$ F 6.3WV	
C201	FIG1A104A014	Ceramic, 0.1 $\mu$ F 10WV	
C202	FIG1A104A014	Ceramic, 0.1 $\mu$ F 10WV	
C203	FIG1A104A014	Ceramic, 0.1 $\mu$ F 10WV	
C204	FIG1A104A014	Ceramic, 0.1 $\mu$ F 10WV	
C205	FIG1A104A014	Ceramic, 0.1 $\mu$ F 10WV	
C206	FIG1H101A566	Ceramic, 100PF 50WV	
C207	FIG1J0106A014	Ceramic, 10 $\mu$ F 6.3WV	
C208	FIG1J0106A014	Ceramic, 10 $\mu$ F 6.3WV	
C211	FIG1A104A014	Ceramic, 0.1 $\mu$ F 10WV	
C213	FIG1H101A566	Ceramic, 100PF 50WV	
C214	FIG1H101A566	Ceramic, 100PF 50WV	
C215	FIG1C1030008	Ceramic, 0.01 $\mu$ F 16WV	
C216	FIG1C1030008	Ceramic, 0.01 $\mu$ F 16WV	
C221	FIG1H220A566	Ceramic, 22PF 50WV	
C222	FIG1H220A566	Ceramic, 22PF 50WV	
C223	FIG1A104A014	Ceramic, 0.1 $\mu$ F 10WV	
C224	FIG1A104A014	Ceramic, 0.1 $\mu$ F 10WV	
C225	FIG1A104A014	Ceramic, 0.1 $\mu$ F 10WV	
C226	FIG1A104A014	Ceramic, 0.1 $\mu$ F 10WV	
C231	FIG1C1030008	Ceramic, 0.01 $\mu$ F 16WV	
C232	FIG1A104A014	Ceramic, 0.1 $\mu$ F 10WV	
C234	FIG1C1030008	Ceramic, 0.01 $\mu$ F 16WV	
C235	FIG1J0106A014	Ceramic, 10 $\mu$ F 6.3WV	
C236	FIG1A104A014	Ceramic, 0.1 $\mu$ F 10WV	
C237	FIG1C223A081	Ceramic, 0.022 $\mu$ F 16WV	
C239	FIG1H470A565	Ceramic, 47PF 50WV	
C240	FIG1A104A014	Ceramic, 0.1 $\mu$ F 10WV	
C241	FIG1A104A014	Ceramic, 0.1 $\mu$ F 10WV	
C242	FIG1H1020008	Ceramic, 1000PF 50WV	
C243	FIG1A104A014	Ceramic, 0.1 $\mu$ F 10WV	
C244	YECUZ1H562KX	Ceramic, 5600PF 50WV	
C245	FIG1H1020008	Ceramic, 1000PF 50WV	
C246	FIG1H1020008	Ceramic, 1000PF 50WV	
C247	FIG1H1020008	Ceramic, 1000PF 50WV	
C248	FIG1H5610004	Ceramic, 560PF 50WV	
C249	FIG1H5610004	Ceramic, 560PF 50WV	
C250	FIG1A104A014	Ceramic, 0.1 $\mu$ F 10WV	
C251	FIG1H222A571	Ceramic, 2200PF 50WV	
C252	FIG1H4710004	Ceramic, 470PF 50WV	
C253	FIG1A104A014	Ceramic, 0.1 $\mu$ F 10WV	
C261	FIG1A104A014	Ceramic, 0.1 $\mu$ F 10WV	
C262	FIG1A104A014	Ceramic, 0.1 $\mu$ F 10WV	
C263	FIG1A104A014	Ceramic, 0.1 $\mu$ F 10WV	
C264	FIG1A104A014	Ceramic, 0.1 $\mu$ F 10WV	
C265	FIG1A104A014	Ceramic, 0.1 $\mu$ F 10WV	
C266	FIG1A104A014	Ceramic, 0.1 $\mu$ F 10WV	
C271	FIG1A104A014	Ceramic, 0.1 $\mu$ F 10WV	
C272	FIG1A104A014	Ceramic, 0.1 $\mu$ F 10WV	
C275	FIG1A104A014	Ceramic, 0.1 $\mu$ F 10WV	
C311	FIG1A104A014	Ceramic, 0.1 $\mu$ F 10WV	





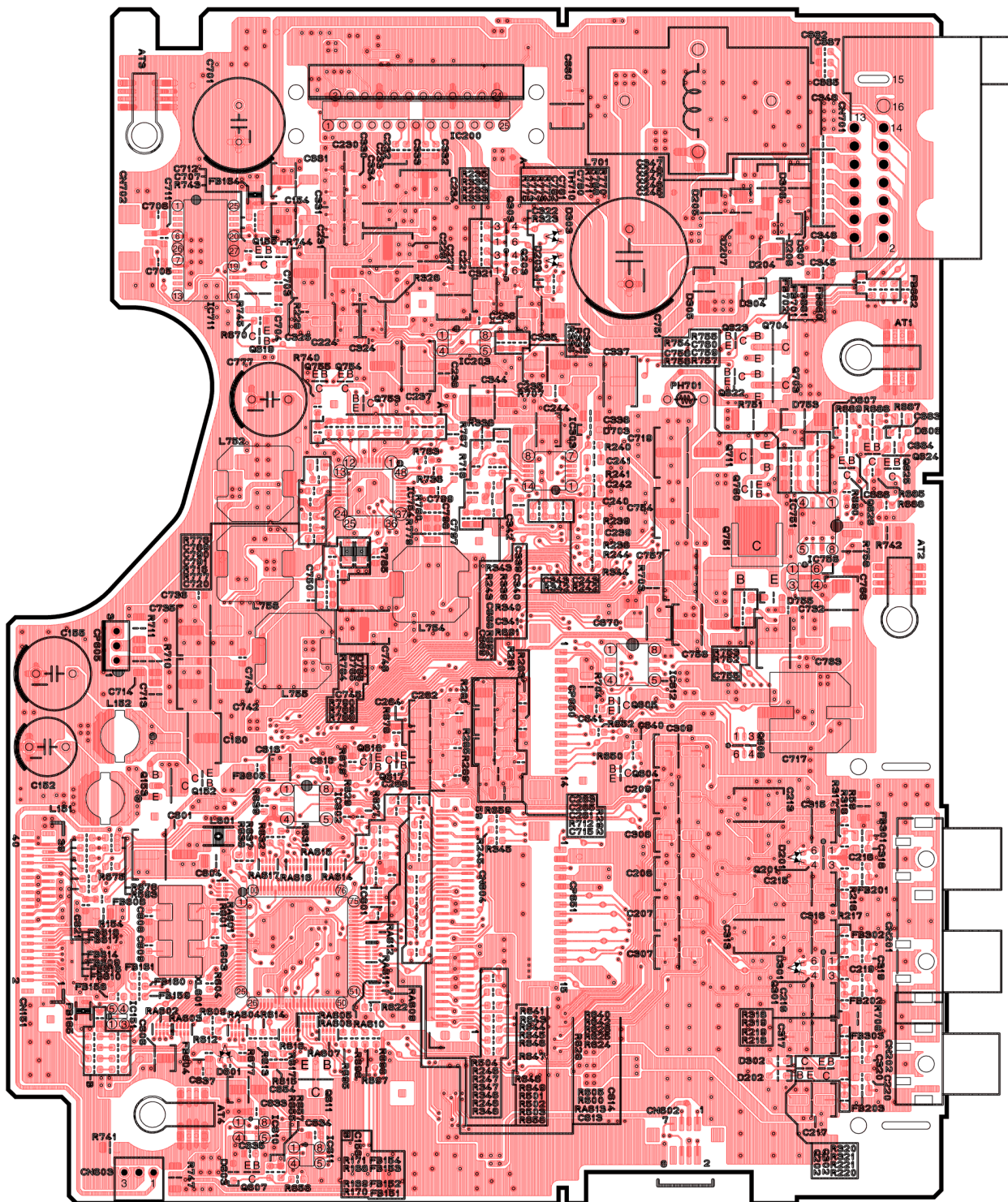
Ref. No.	Part No.	Part Name & Description	Remarks
<b>SWITCH</b>			
SW301	K0L1BA000104	Switch	
<b>CRYSTALS</b>			
XL201	H0J168500003	Crystal Oscillator	
XL501	H1A2705B0025	Crystal Oscillator	
<b>NETWORK RESISTORS</b>			
R261	D1H810340005	Network Resistor	
R262	D1H839340001	Network Resistor	
R271	D1H810340005	Network Resistor	
R272	D1H882040001	Network Resistor	
R273	D1H882040001	Network Resistor	
R274	D1H839340001	Network Resistor	
<b>FILTERS</b>			
L512	JOMAB0000134	Filter	
L703	JOMAB0000015	Filter	
L704	JOMAB0000015	Filter	
<b>Mechanical Parts</b>			
<b>MISCELLANEOUS</b>			
1	YGP0FX13504	Deck Mechanism Ass'y	
2	YGP0FX13507	Suspension Ass'y	
26	YGFA012207	Upper Chassis	
27	YGAP2890A	Sensor FPC Ass'y	
32	YGFX0052654	Earth Spring	
33	YGFX0462197	Suspension Lock Lever (L)	
35	YGFX0052630	Suspension Spring	
36	YGFS04858	Damper	
37	YGP0FX13498	Loading Motor Ass'y	
38	K1LB02A00105	Connector w/Lead Wire	
39	YGFX0031172	Lock Gear (1)	
40	YGFX0031173	Lock Gear (2)	
41	YGF062772	Loading Gear Shaft	
42	YGFX0031166A	Laoding Gear (1)	
43	YGFX0031167	Laoding Gear (2)	
44	YGFX0031168	Laoding Gear (3)	
45	YGFX0031169	Laoding Gear (4)	
46	YGFX0031170	Laoding Gear (5)	
47	YGFX0031171	Laoding Gear (6)	
48	YGFX0052632	Worm Gear Housing Spring	
49	YGFX0031178	Clamp Rack	
50	YGFX0052633	Clamp Rack Spring	
51	YGFX0462195B	Slide Lever	
52	YGFX0052711	Suspension Spring (F)	
53	YGFX0052634	Slide Lever Spring	
54	YGFX0052631	Offset Spring	
55	YGFA012014B	Main Chassis	
56	YGFX0462196	Suspension Lock Lever (R)	
57	YGFX0052635	Suspension Lock Lever L Spring	
58	YGFX9995764	Load Gear 1 Collar	
64	YGFX0052668	Feeder Spring (L)	
65	YGFX0052669A	Feeder Spring (R)	
66	YGFX0052639	Upper Spring	
71	YGP0FX5561	Feeder Arm Ass'y	
72	YGP0PT9453G0	DVD Servo PCB w/Component	RTL
81	YGJS06292	Screw	
82	YEJT03152A	Screw	
83	YGJT01101	Screw	

# 15 EXPLODED VIEW [DVD Deck]



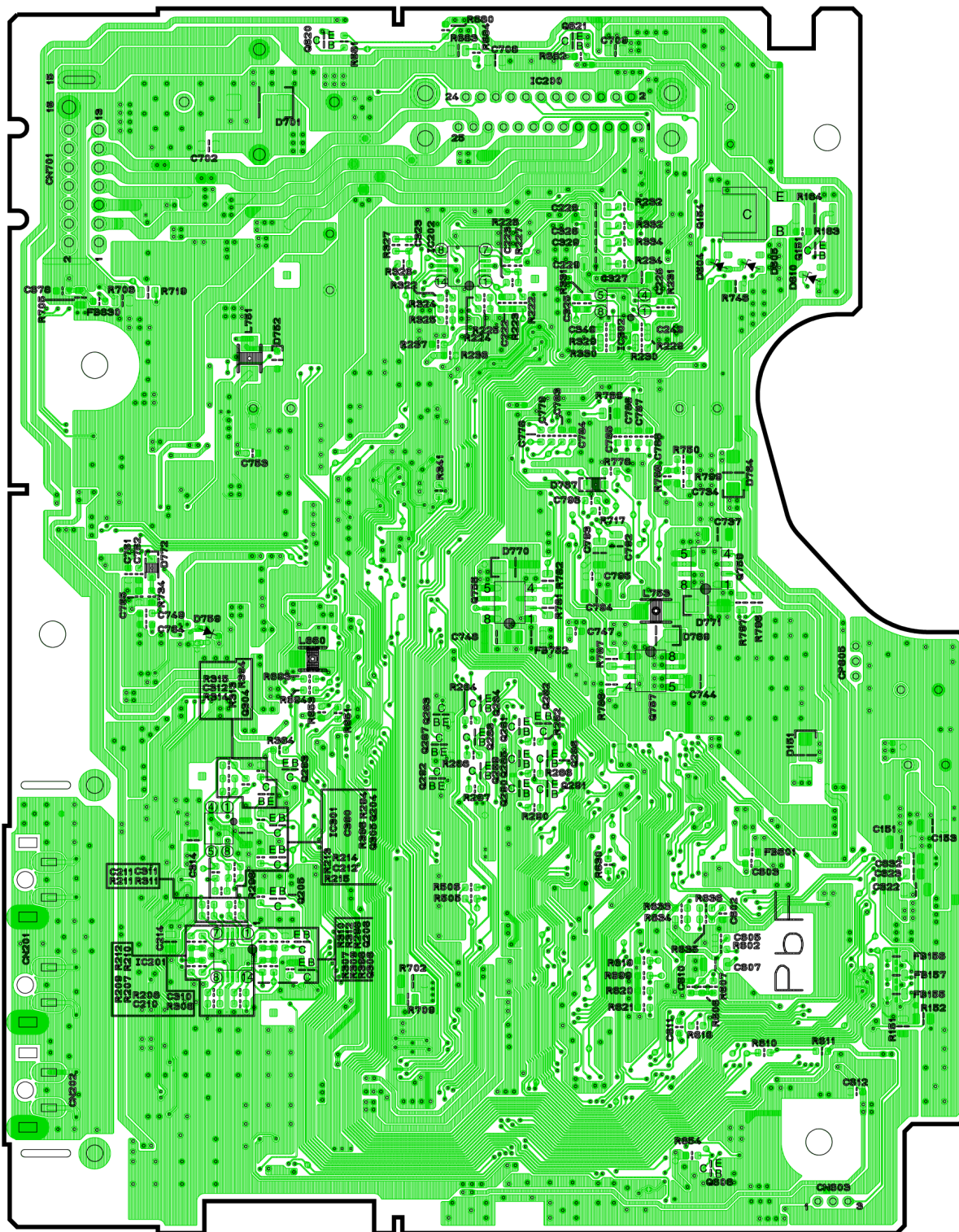
# 16 WIRING DIAGRAM

## 16.1. Main Block (Top View)



[E-9788Aa] [Top View]

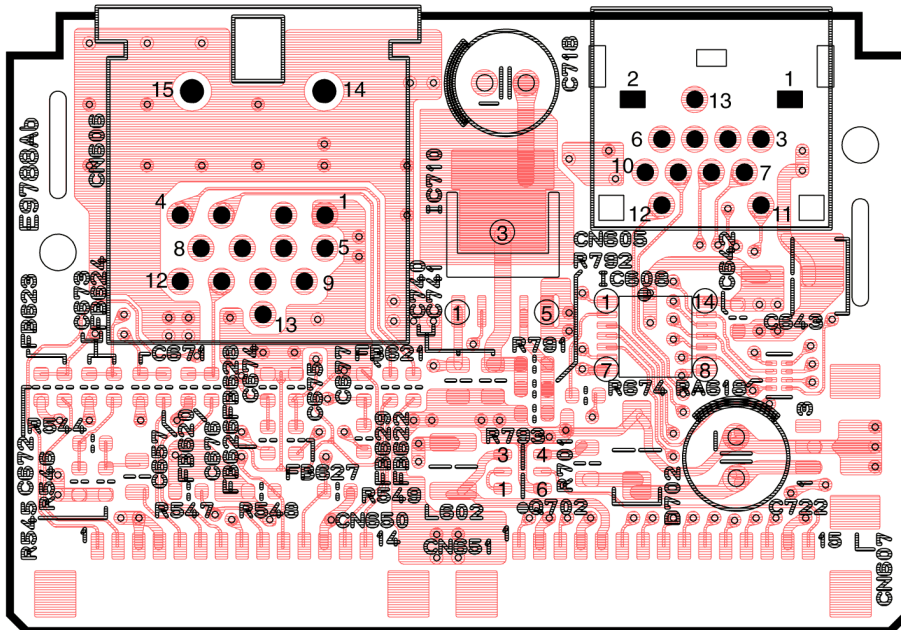
# 16.2. Main Block (Bottom View)



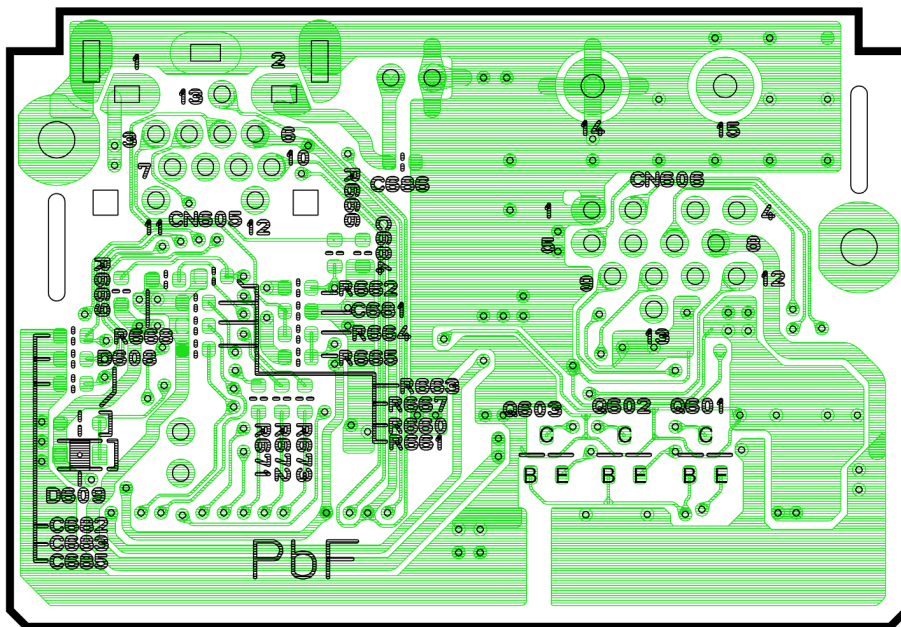
[E-9788Aa] [Bottom View]



### 16.3. IF Block

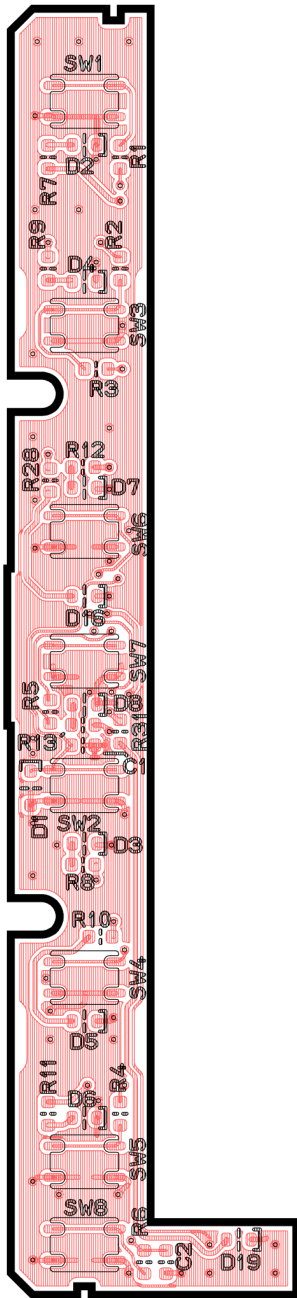


[E-9788Ab] [Top View]

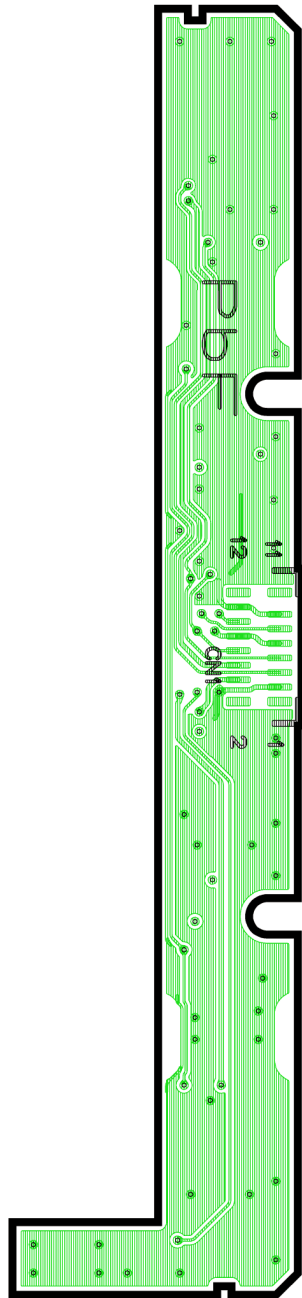


[E-9788Ab] [Bottom View]

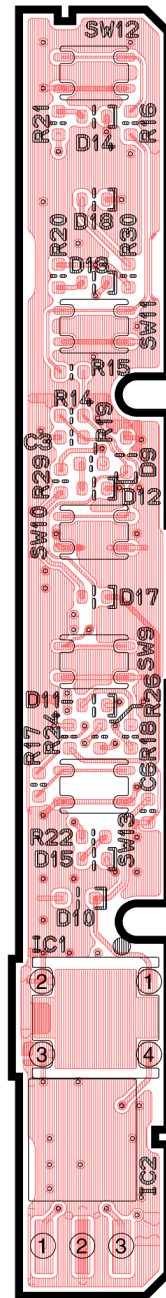
### 16.4. SW-L/SW-R Block



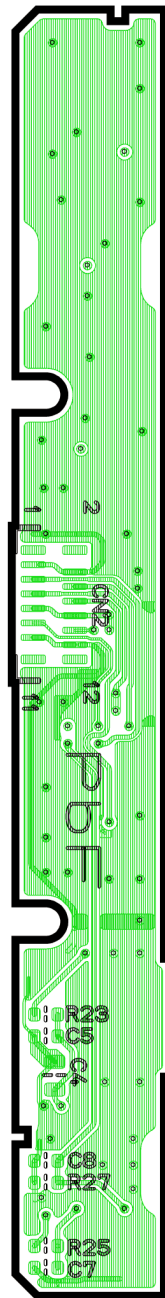
[E-9787Ac] [Top View]



[E-9787Ac] [Bottom View]

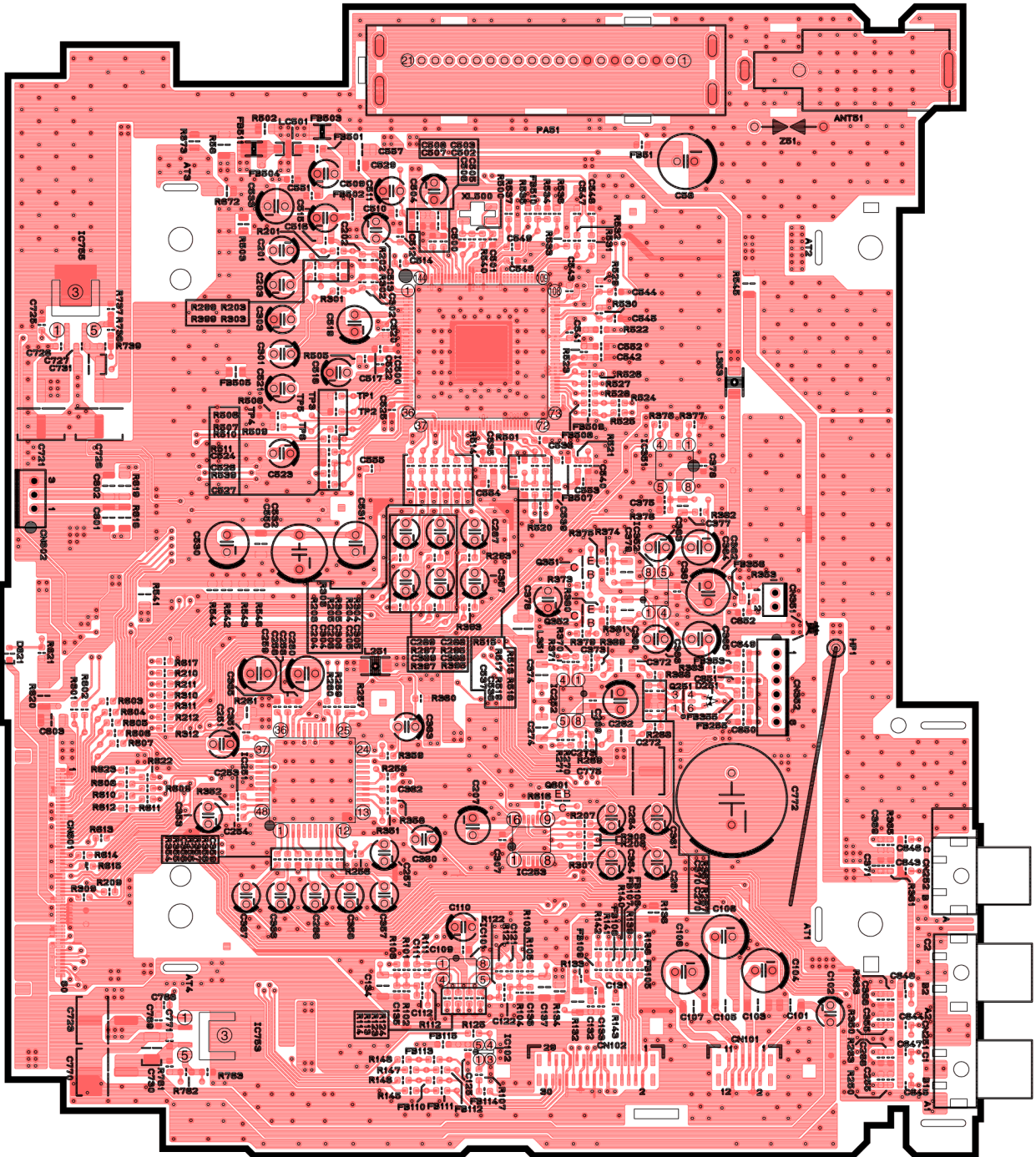


[E-9787Ab] [Top View]



[E-9787Ab] [Bottom View]

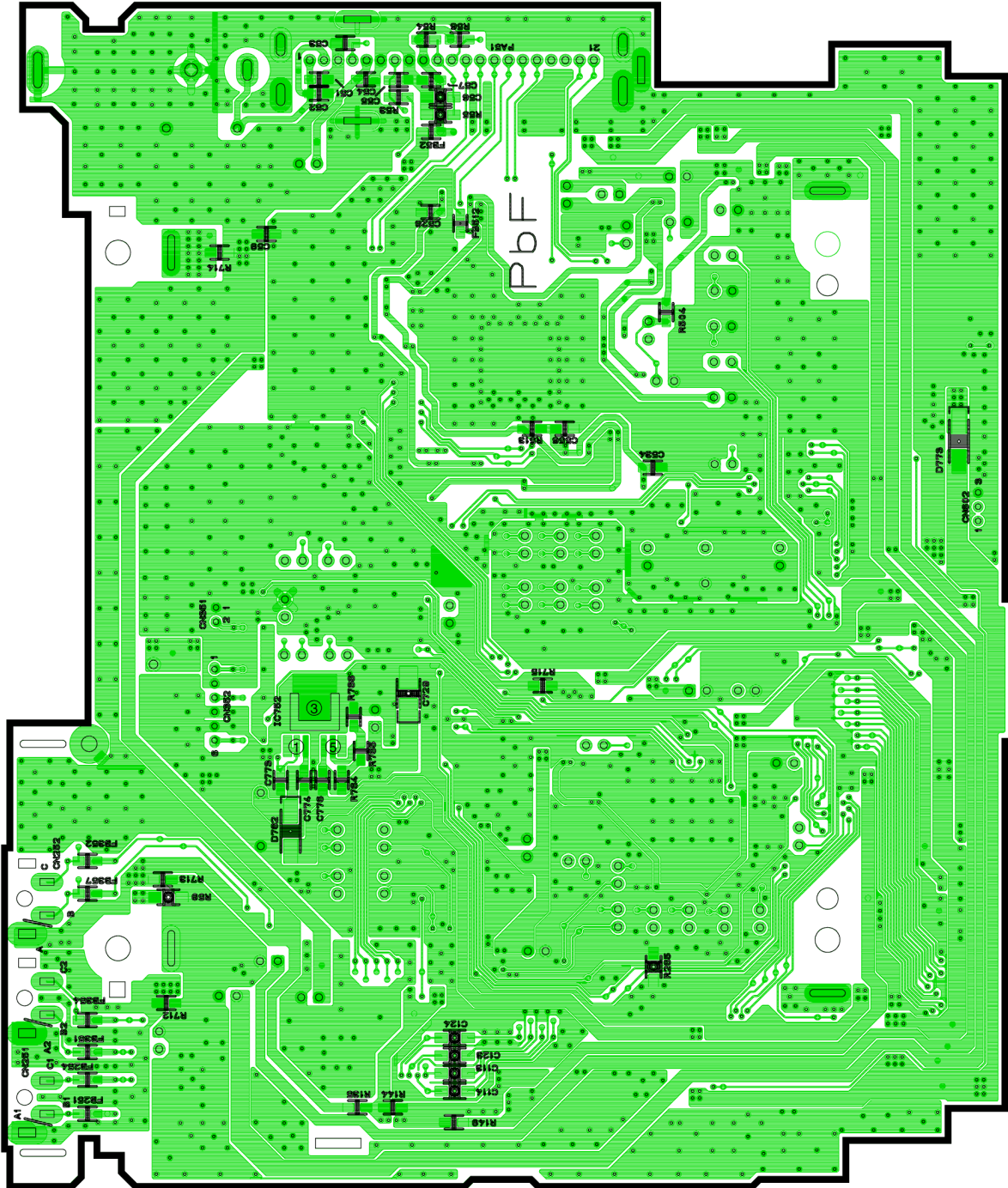
# 16.5. Sub Block (Top View)



[E-3112A] [Top View]

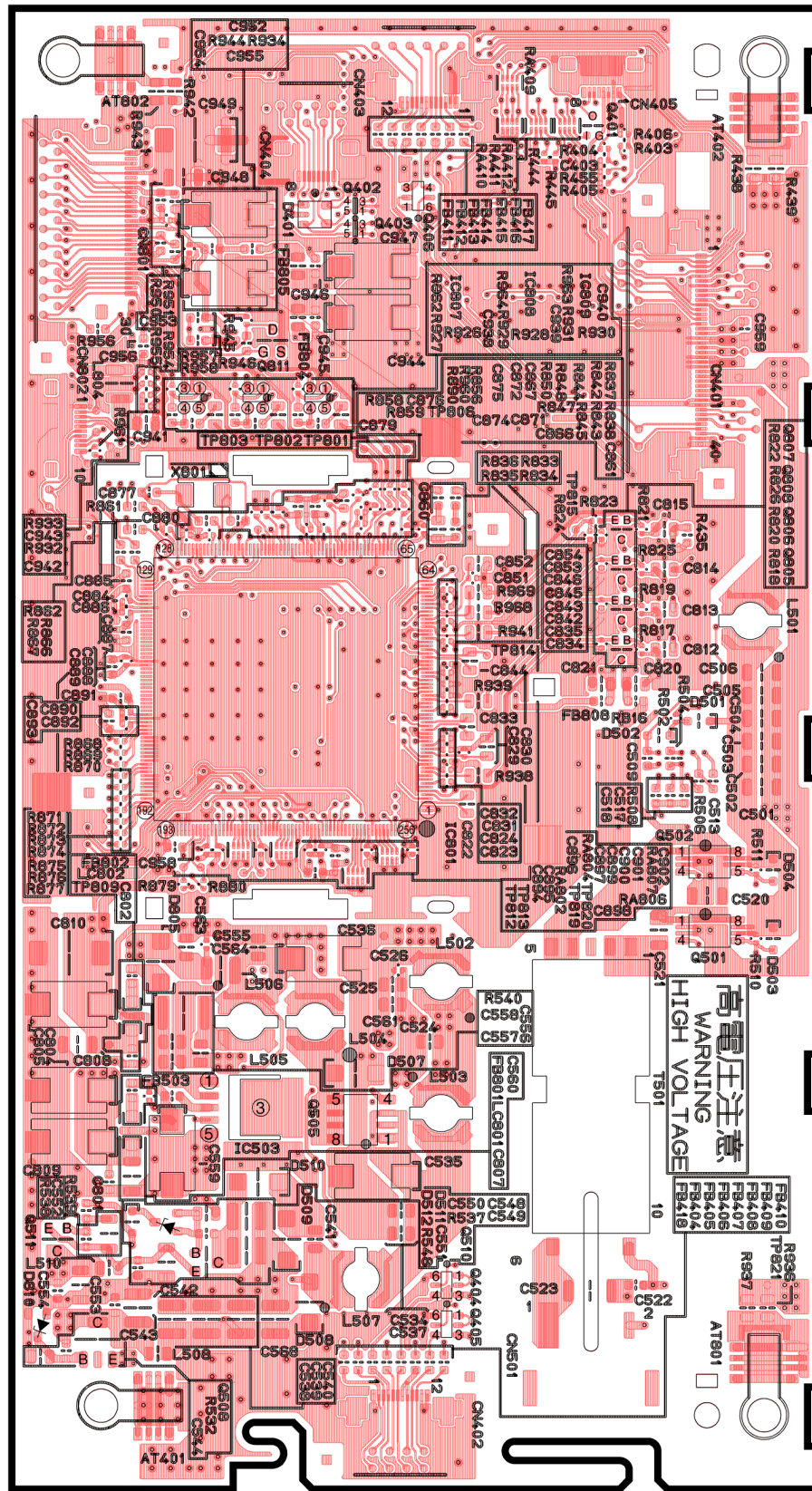
CQ-VD6505U/VD6505N/VD6505W/CQ-VD6503U SUB P.C.B

# 16.6. Sub Block (Bottom View)



[E-3112A] [Vottom View]

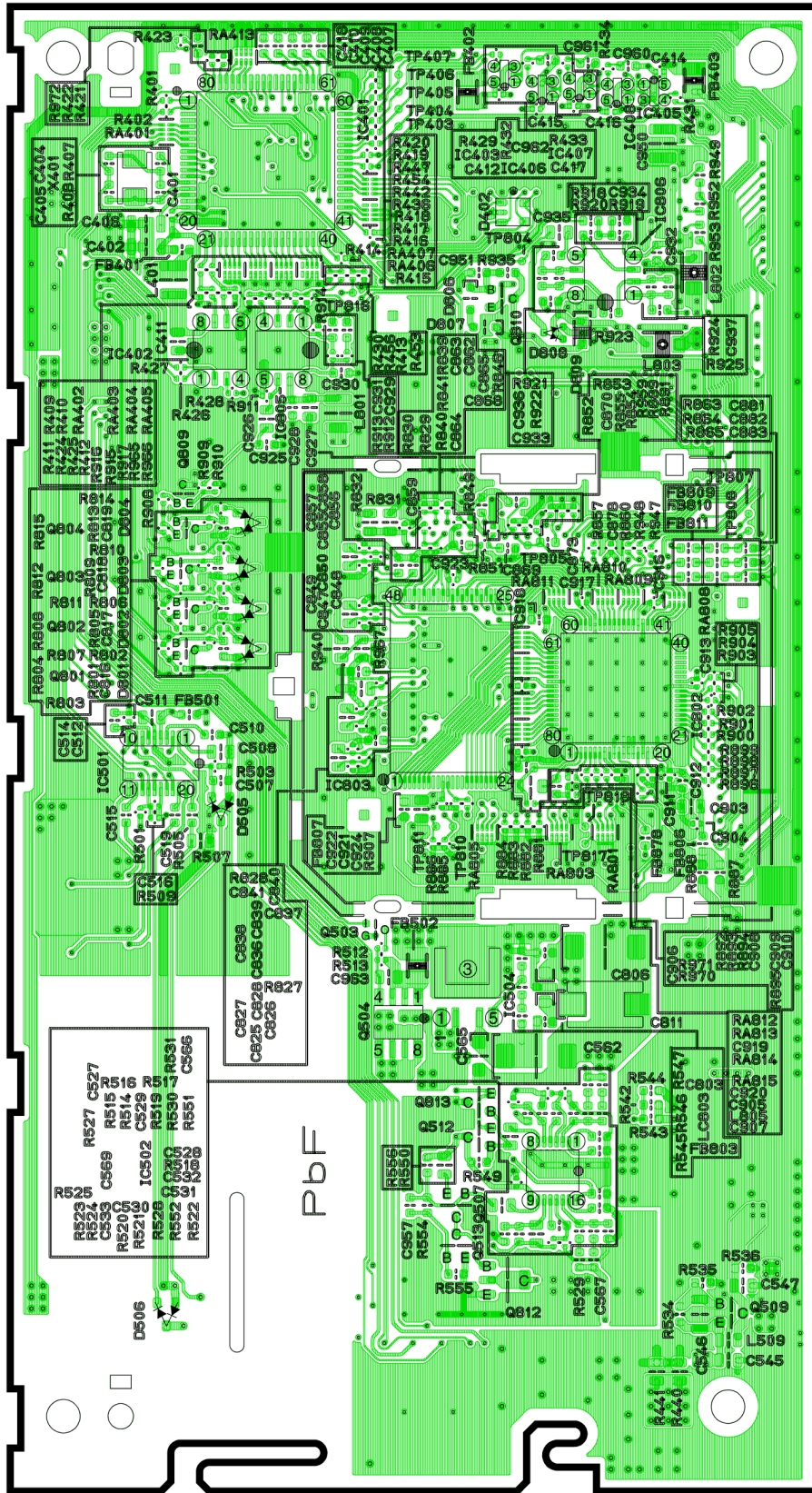
# 16.7. TFT Block (Top View)



[E-9787Aa] [Top View]

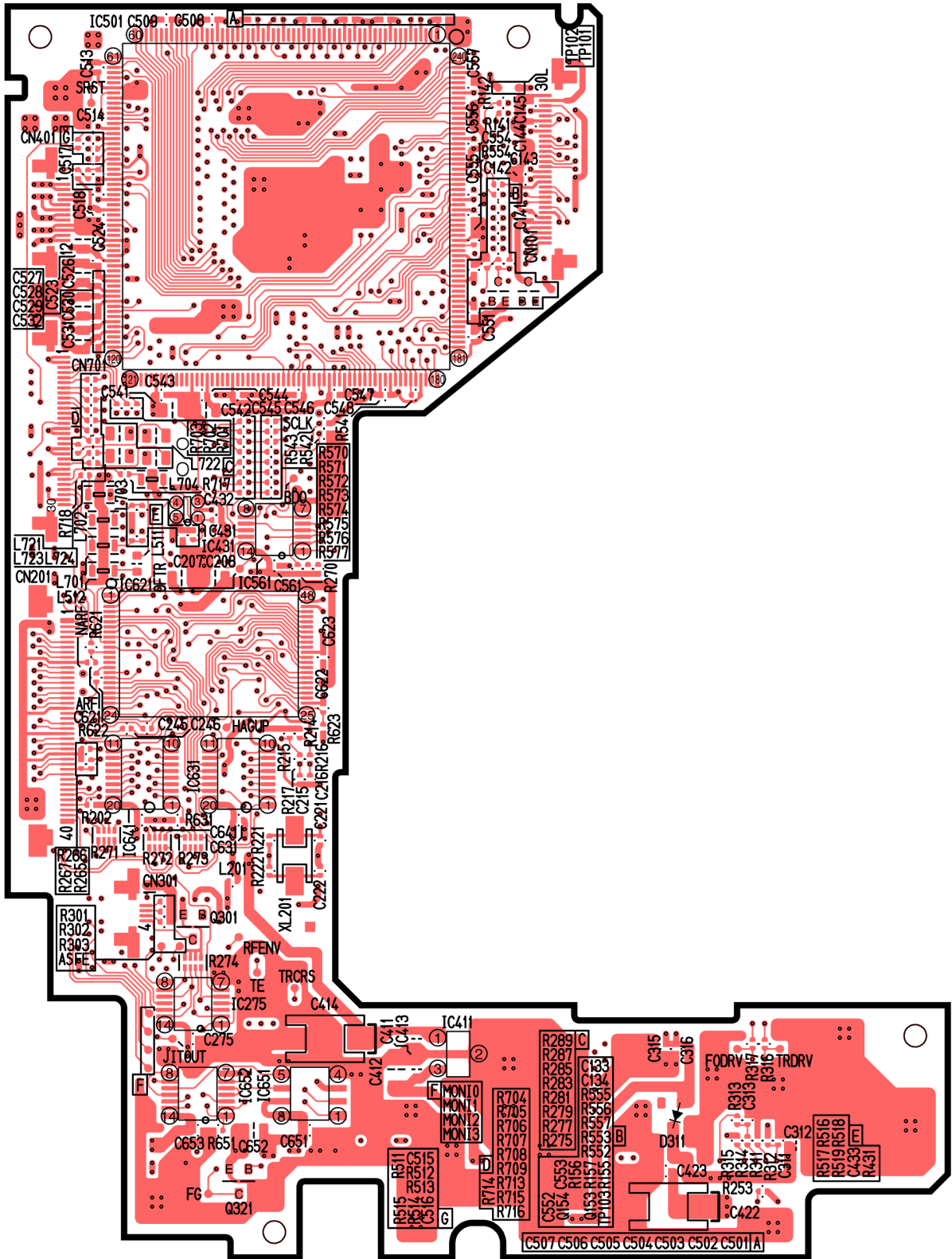
CQ-VD6505U/VD6505N/VD6505W/CQ-VD6503U TFT P.C.B

# 16.8. TFT Block (Bottom View)



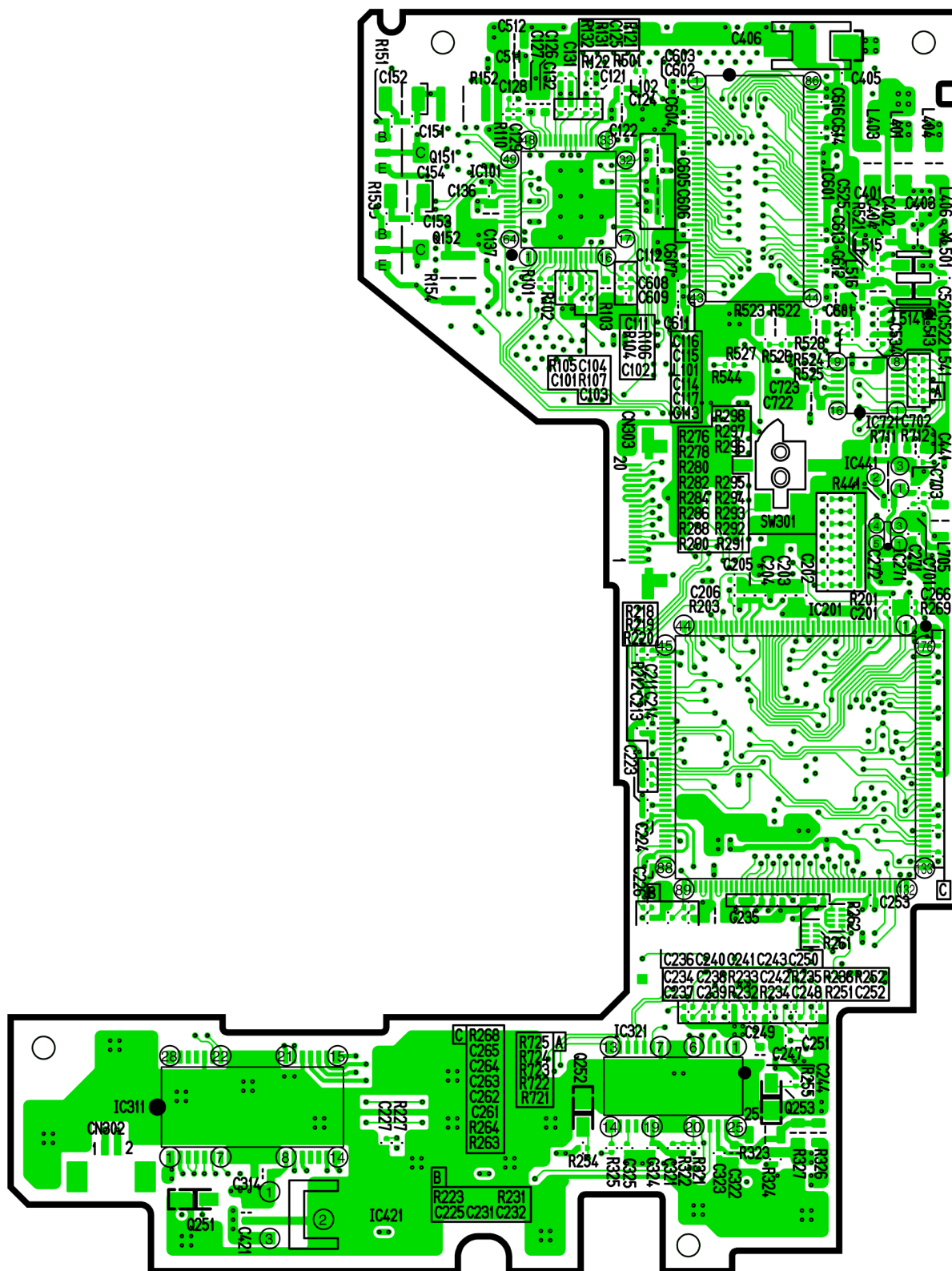
[E-9787Aa] [Bottom View]

# 16.9. DVD Servo Block (Top View)



[E-9453B] [Top View]

# 16.10. DVD Servo Block (Bottom View)



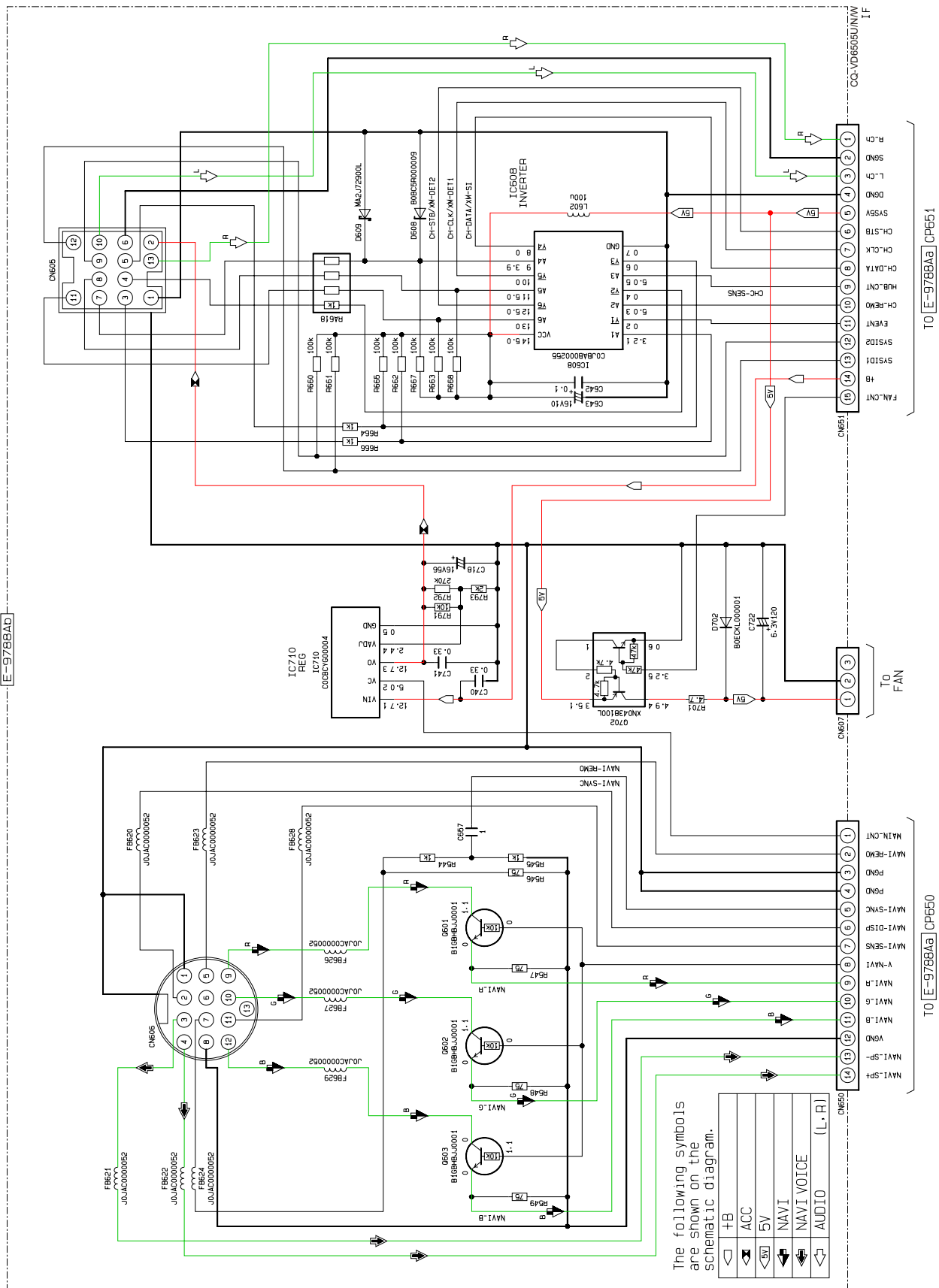
[E-9453B] [Bottom View]

CQ-VD6505U/VD6505N/VD6505W/CQ-VD6503U GFD69248 DVD Servo P.C.B

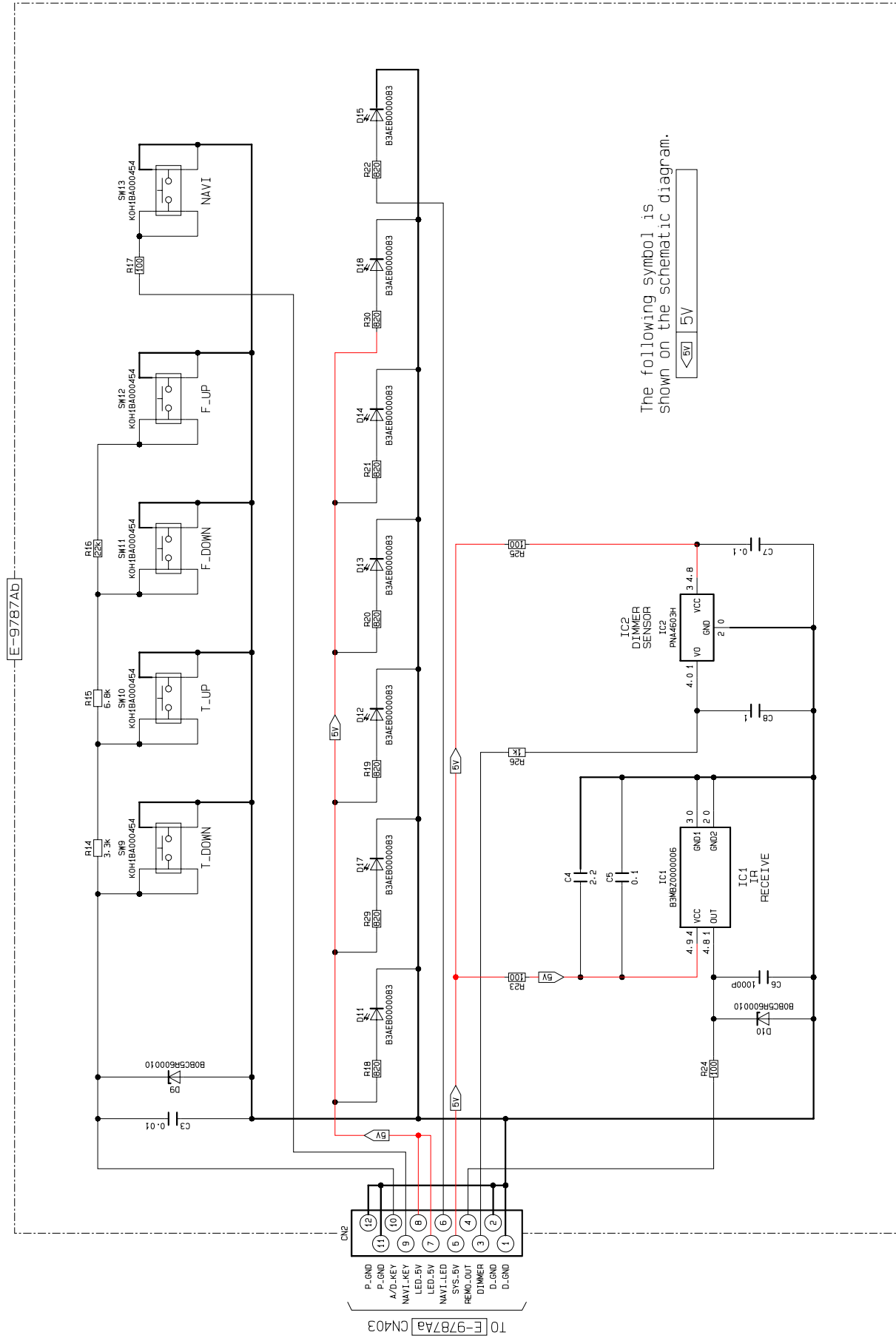


# 17 SCHEMATIC DIAGRAM-1

## 17.1. IF Block



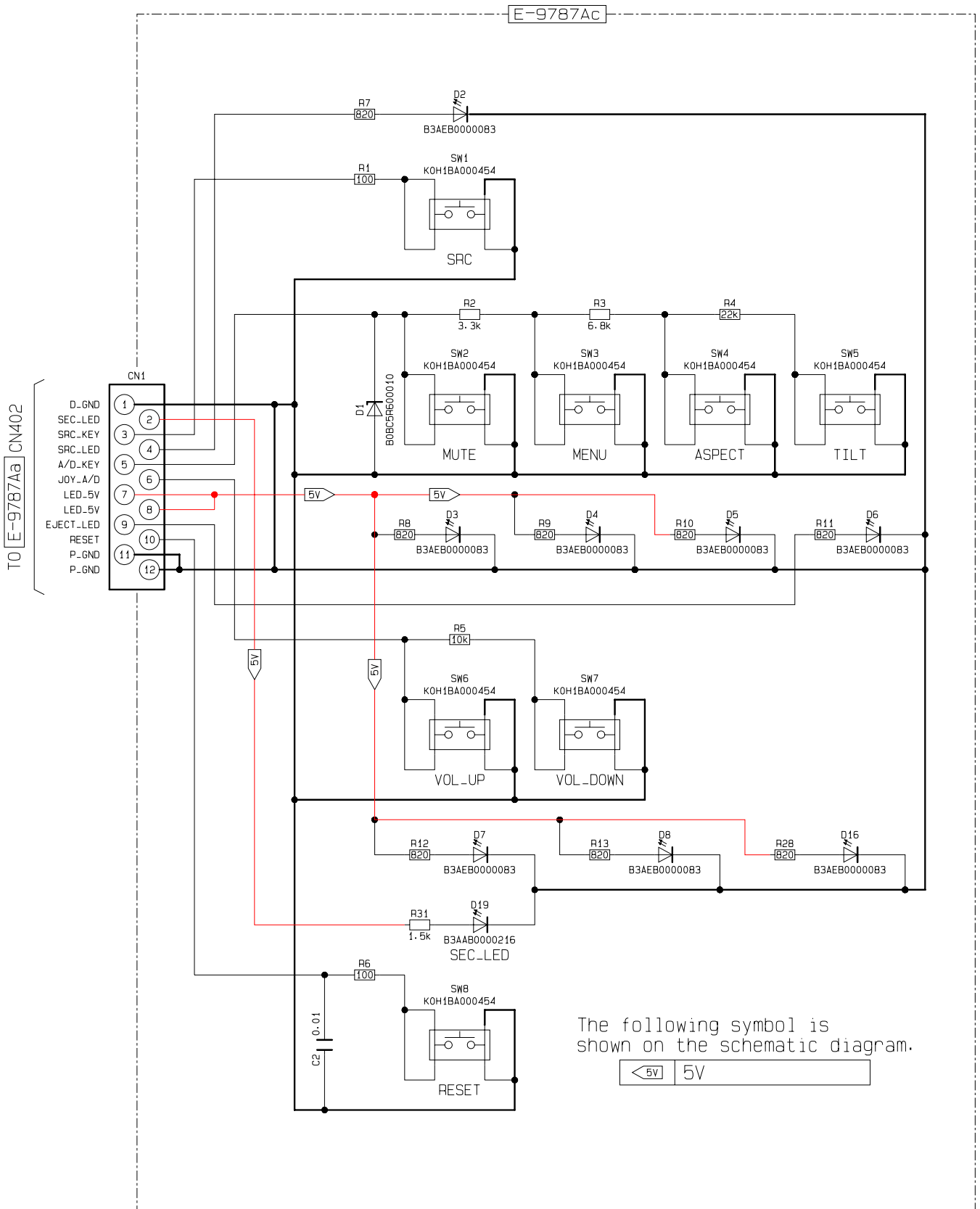
# 17.2. SW-R Block



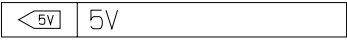
The following symbol is shown on the schematic diagram.



# 17.3. SW-L Block



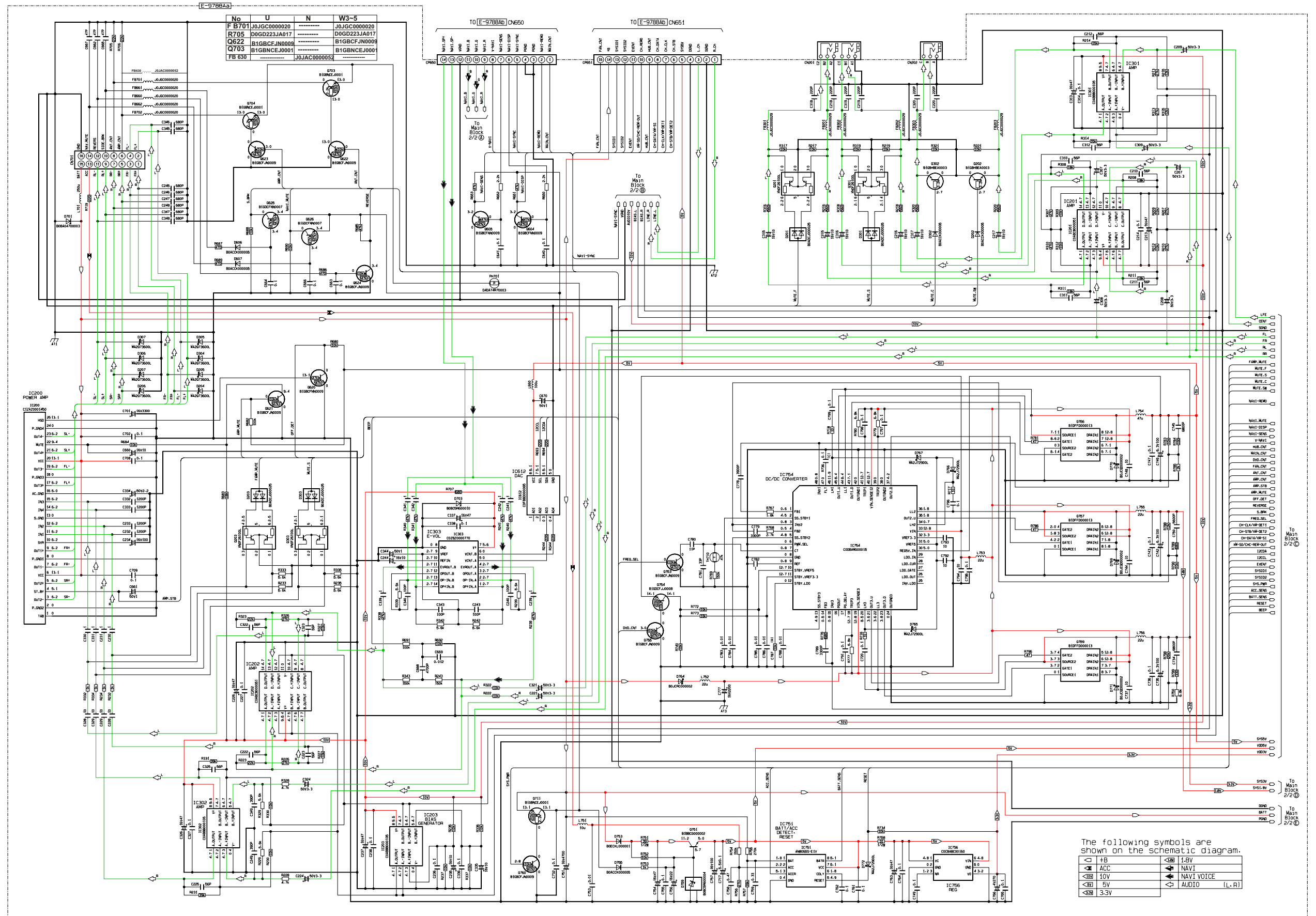
The following symbol is shown on the schematic diagram.



**THIS PAGE IS FOR THE  
PAGE LAYOUT USE ONLY.**

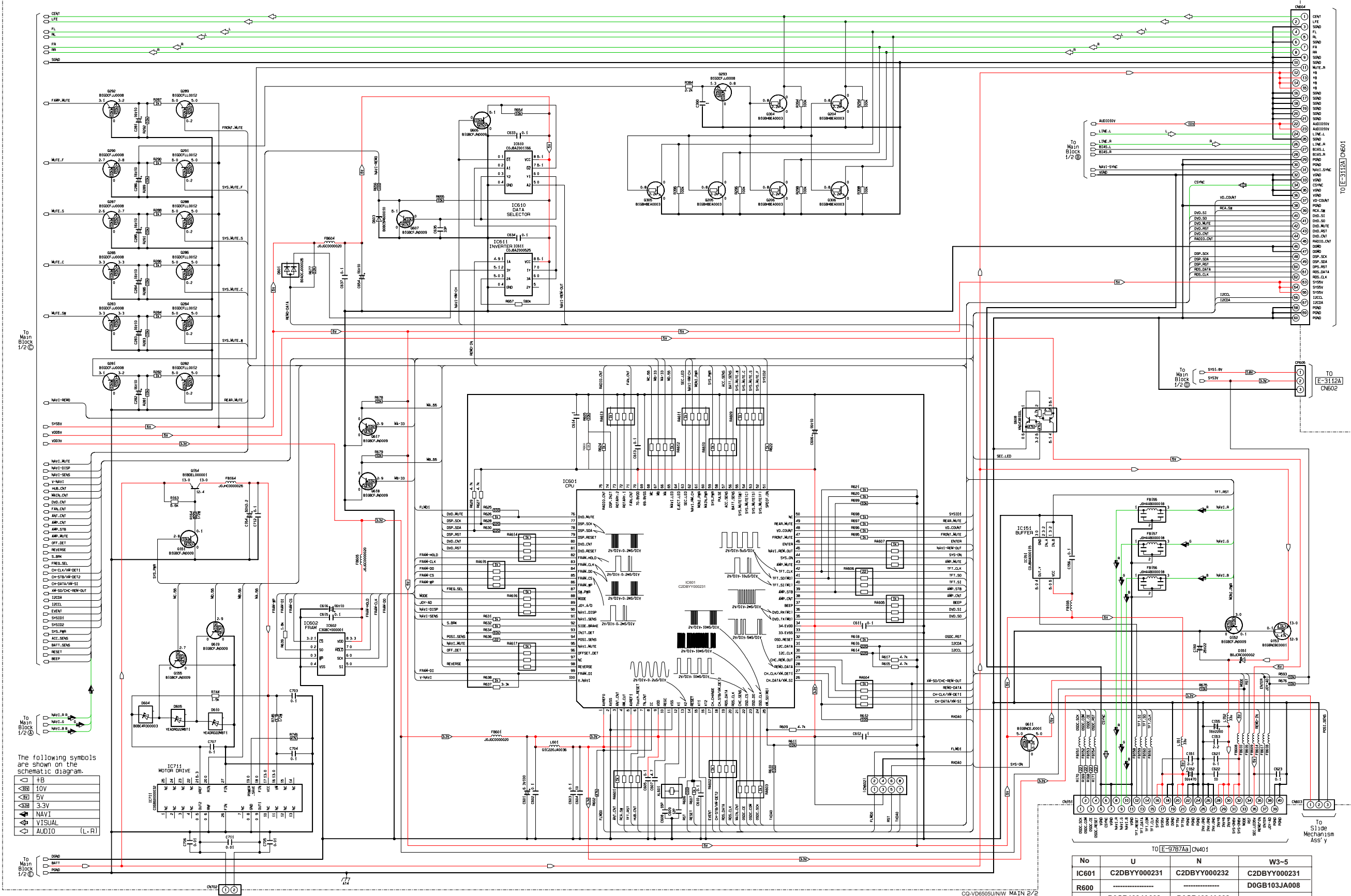
# 18 SCHEMATIC DIAGRAM-2

## 18.1. Main-1 Block



# 18.2. Main-2 Block

E-978BAa



The following symbols are shown on the schematic diagram.

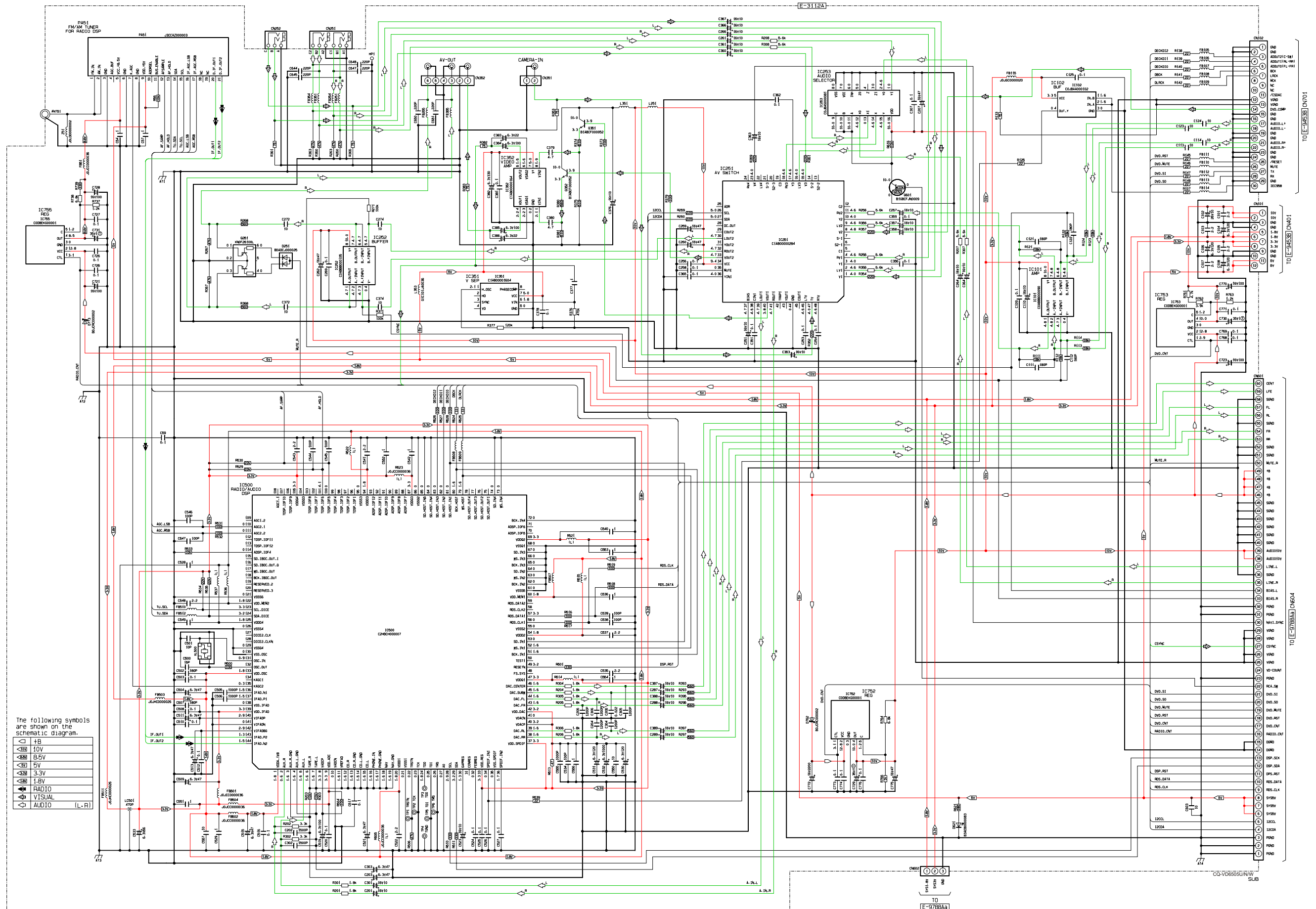
- 10V
- 5V
- 3.3V
- NAVI
- VISUAL
- AUDIO (L-R)

To Main Block 1/2

To S110e Mechanism Ass'y

No	U	N	W3-5
IC601	C2DBY000231	C2DBY000232	C2DBY000231
R600	-----	-----	D0GB103JA008
R605	D0GB103JA008	D0GB103JA008	-----

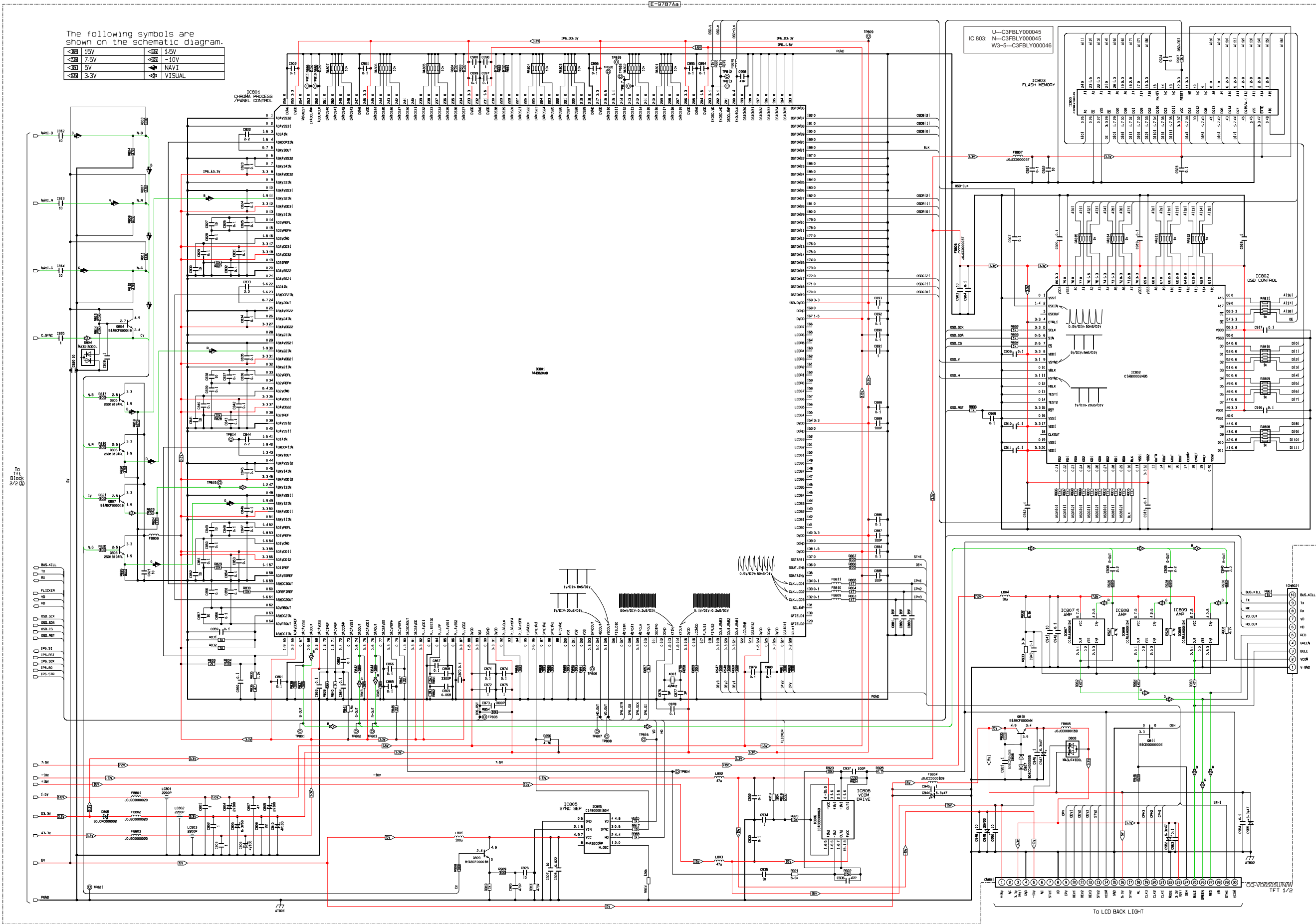
# 18.3. Sub Block



# 18.4. TFT Block-1

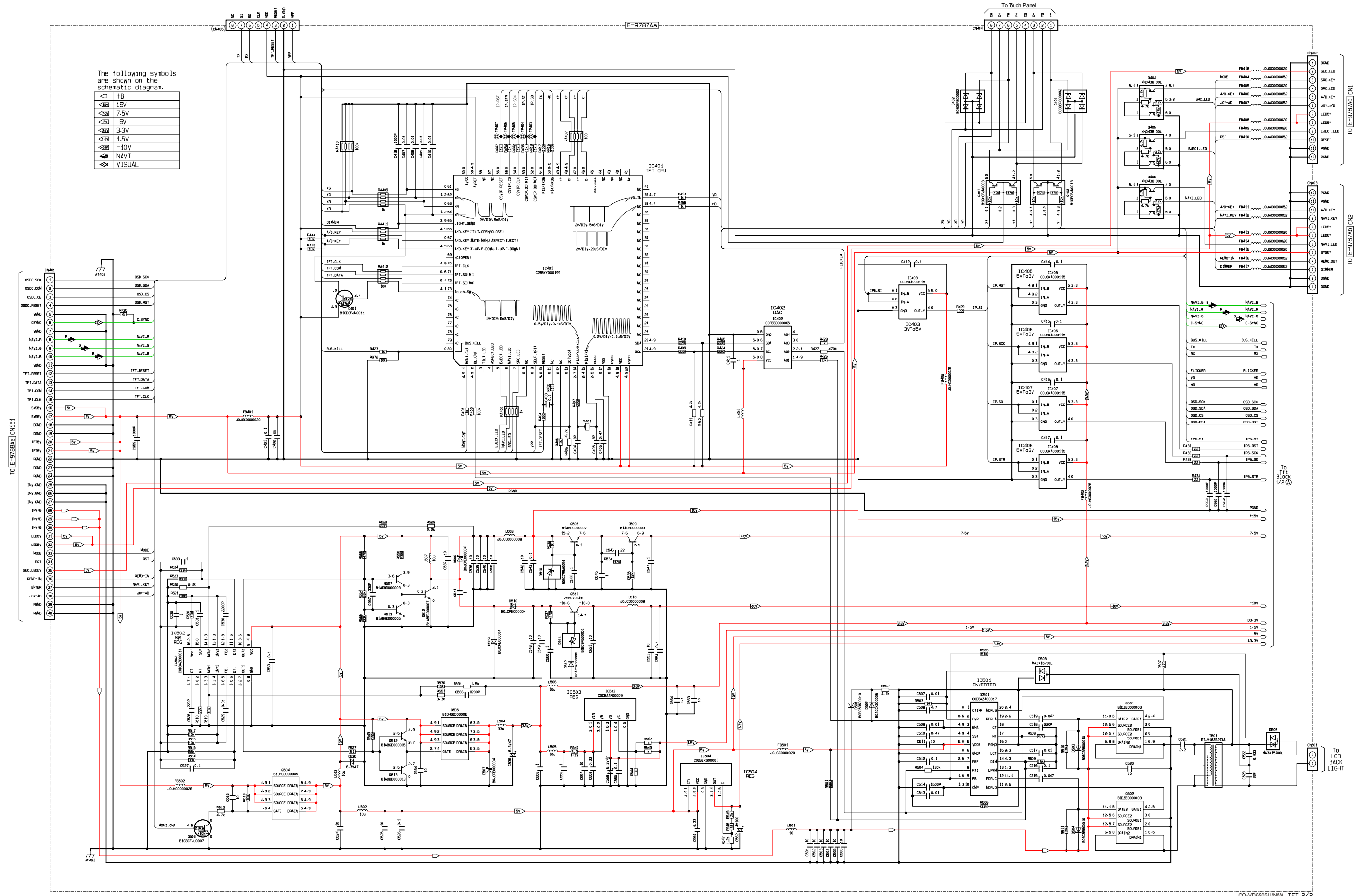
E-9787Aa

The following symbols are shown on the schematic diagram.

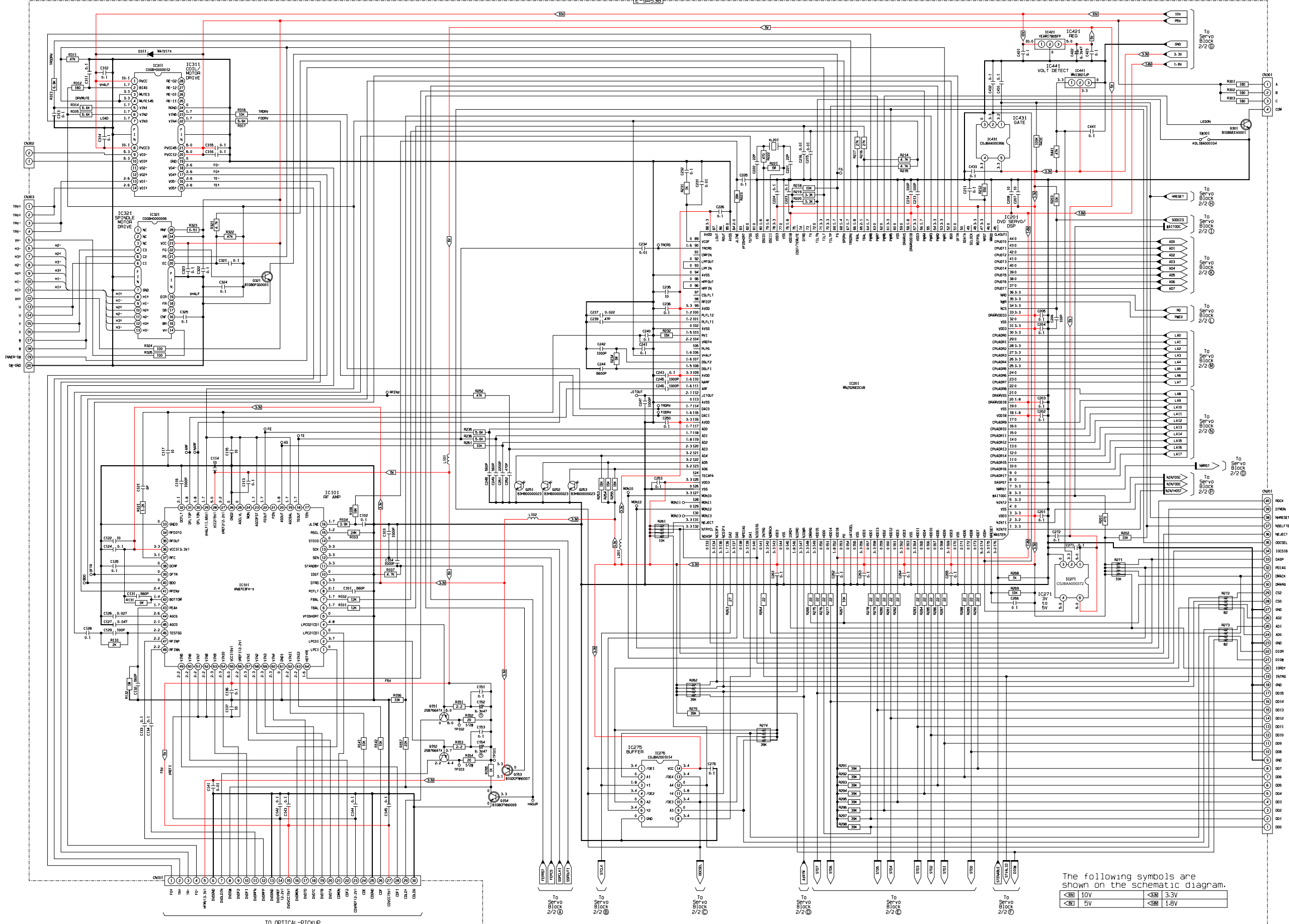


# 18.5. TFT Block-2



# 18.6. DVD Servo Block-1

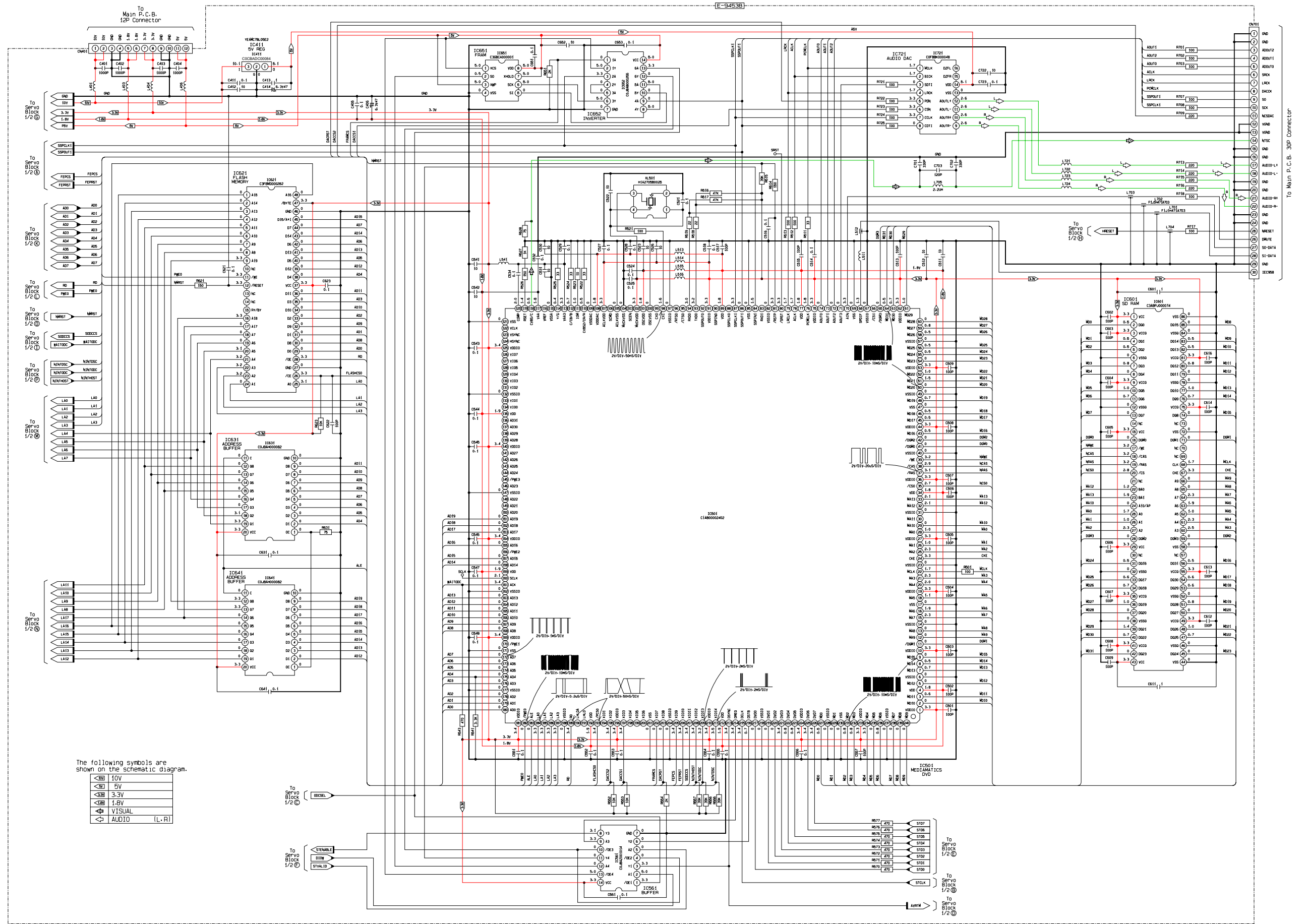
E-94538



The following symbols are shown on the schematic diagram.

10V	3.3V
5V	1.8V

# 18.7. DVD Servo Block-2



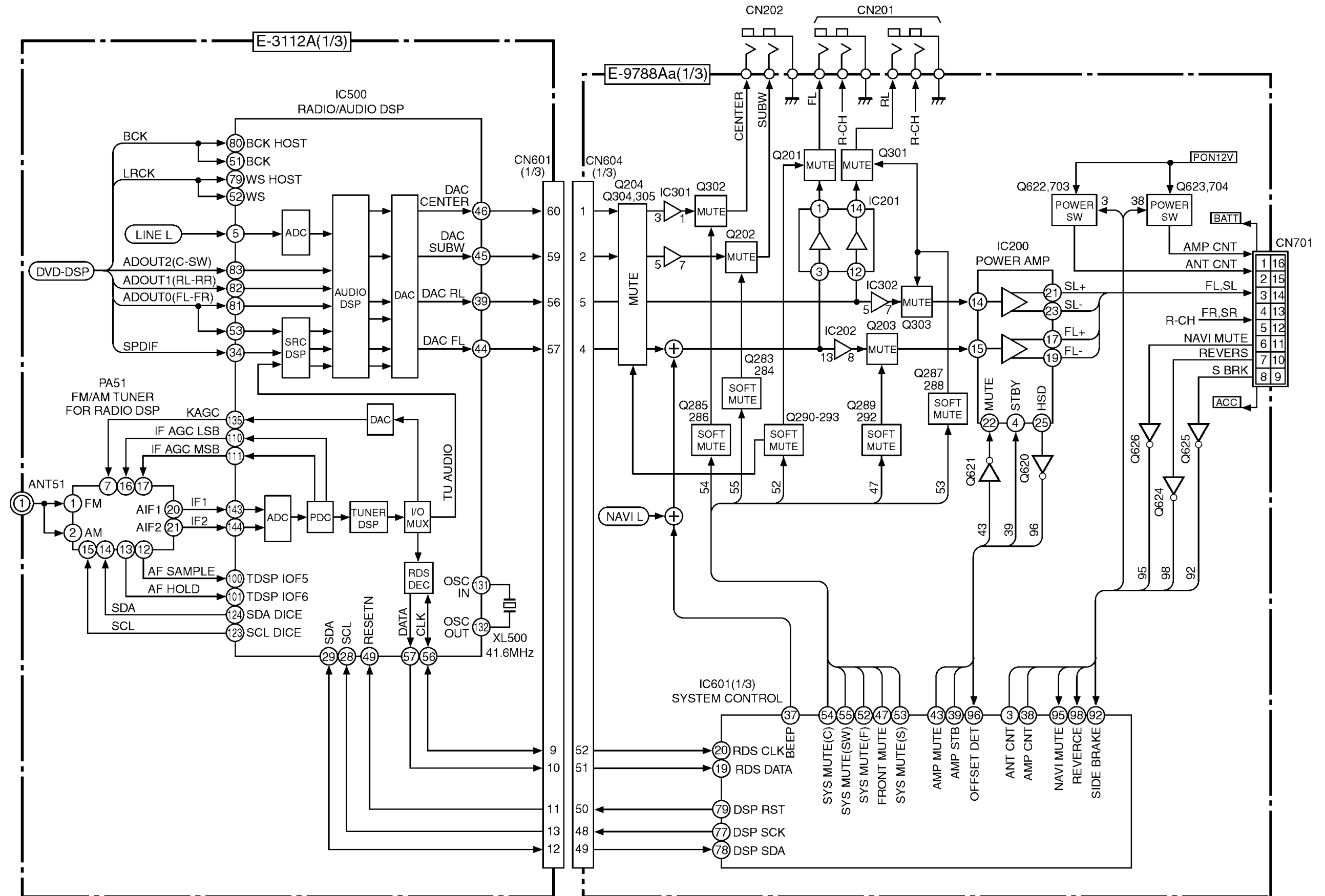
The following symbols are shown on the schematic diagram.

	10V
	5V
	3.3V
	1.8V
	VISUAL
	AUDIO (L,R)

**THIS PAGE IS FOR THE  
PAGE LAYOUT USE ONLY.**

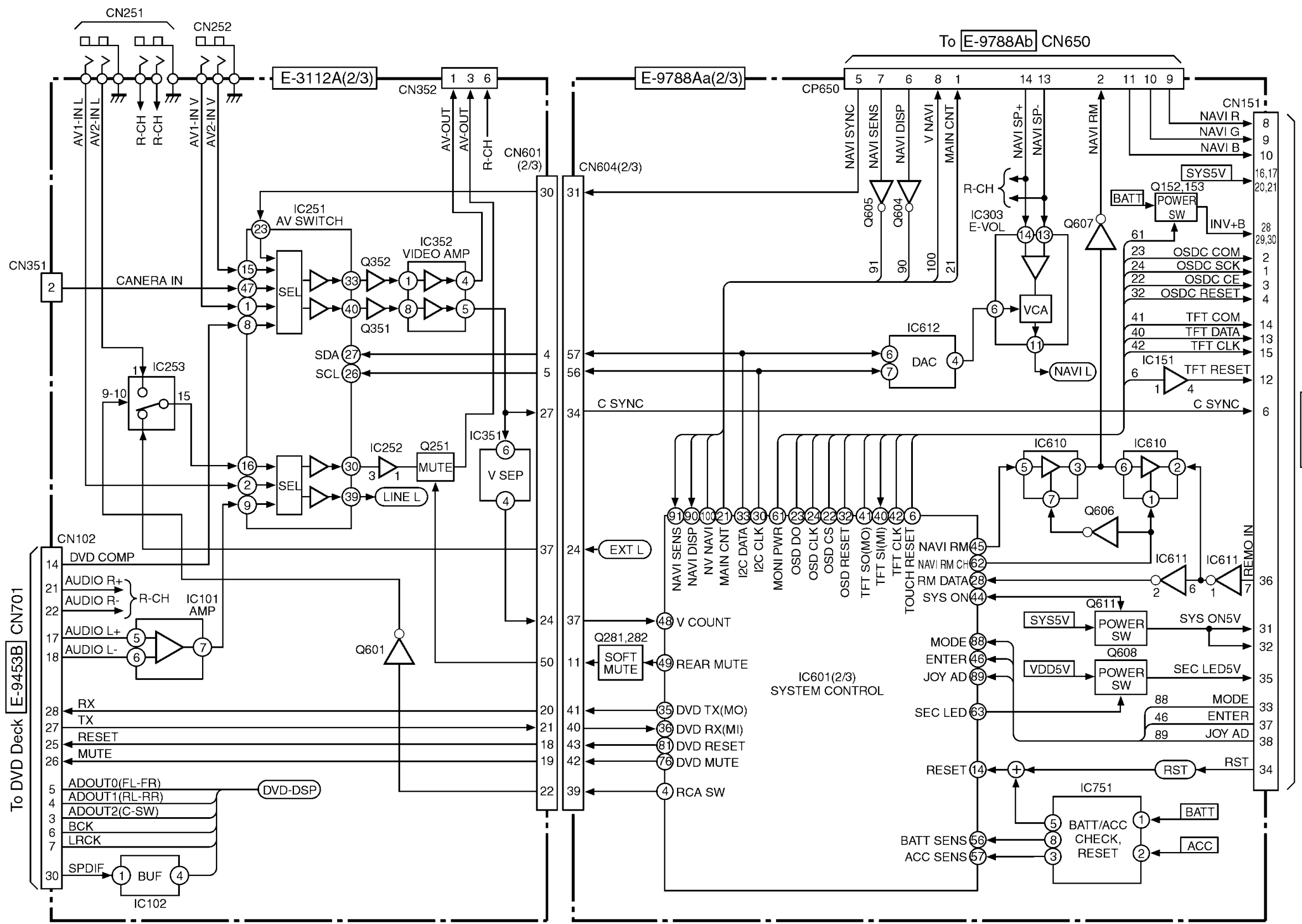
# 19 BLOCK DIAGRAM

## 19.1. Main-1/Sub-1 Block



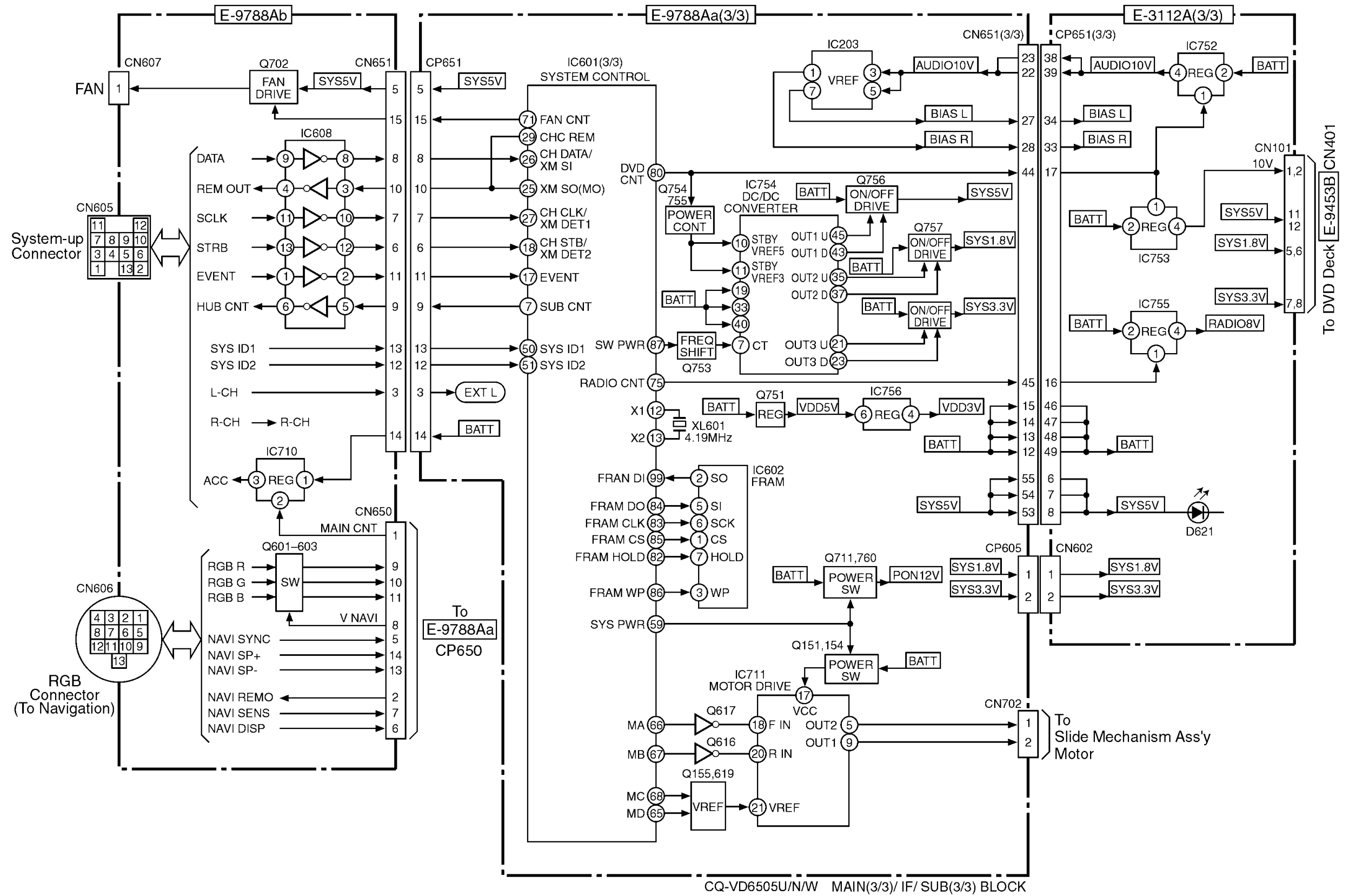
CQ-VD6505U/N/W MAIN(1/3) / SUB(1/3) BLOCK

### 19.2. Main-2/Sub-2 Block

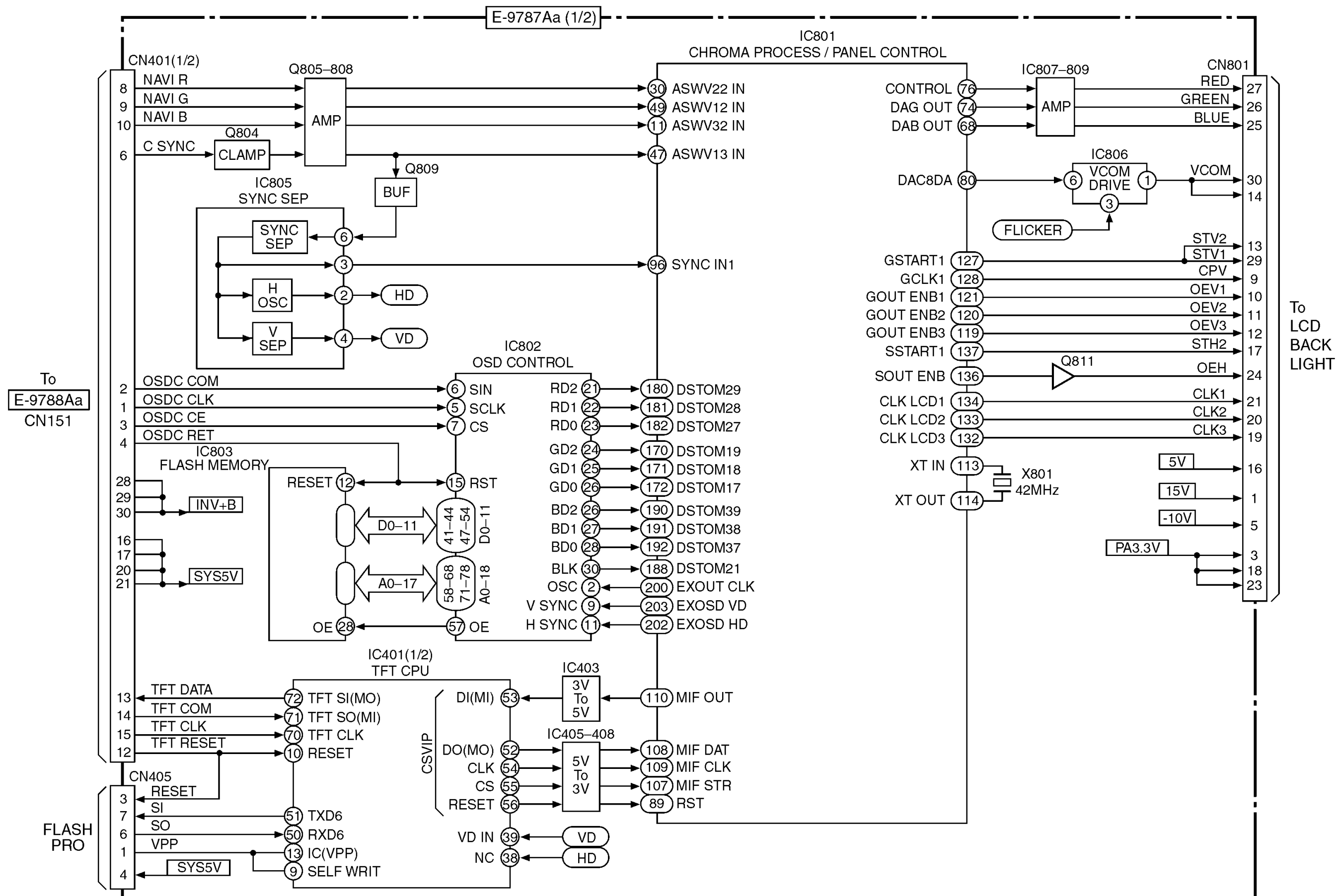


CQ-VD6505U/N/W MAIN(2/3)/SUB(2/3) BLOCK

### 19.3. Main-3/IF/Sub-3 Block



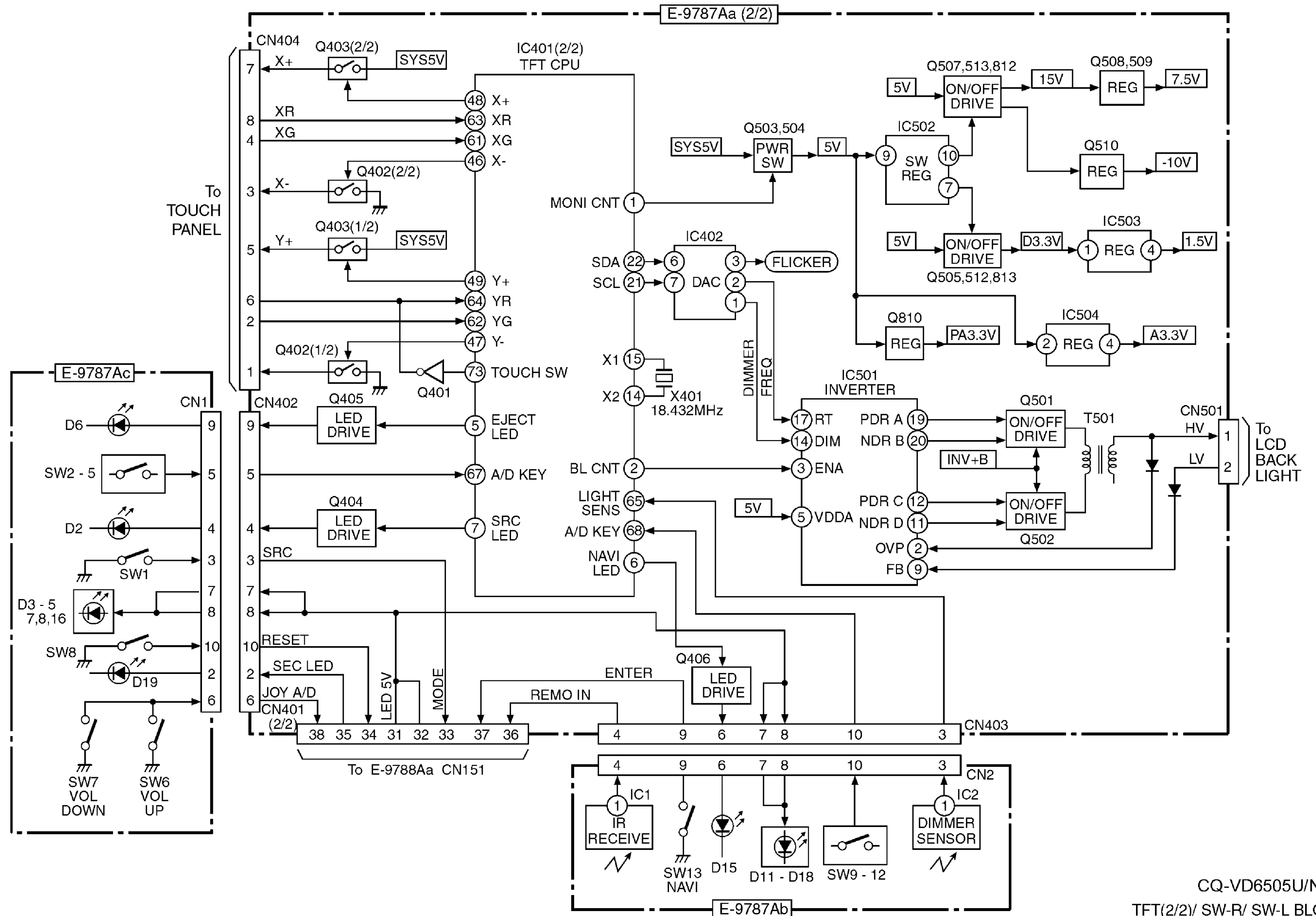
### 19.4. TFT-1 Block



CQ-VD6505U/N/W TFT(1/2) BLOCK

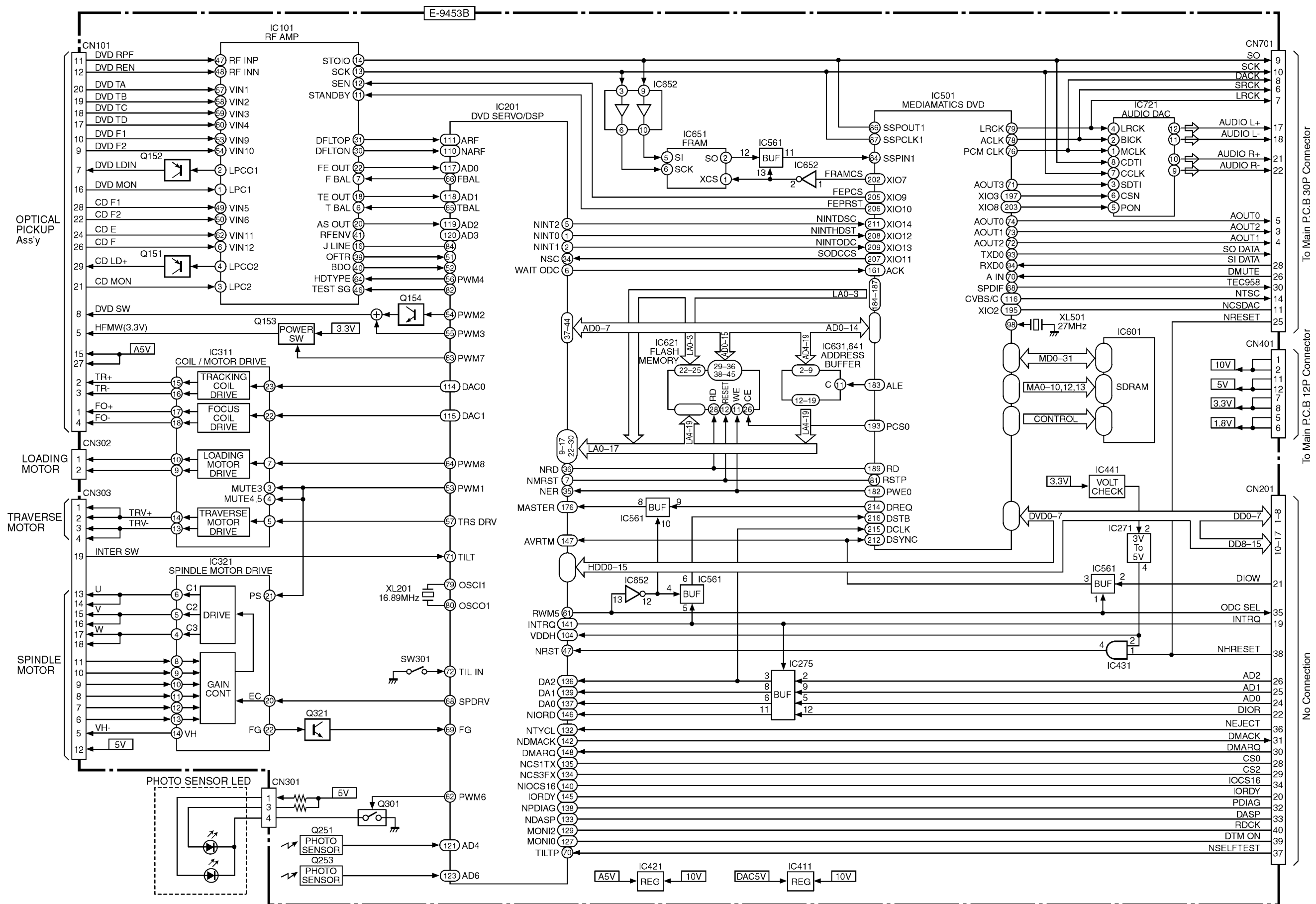


19.5. TFT-2/SW-R/SW-L Block



CQ-VD6505U/N/W  
TFT(2/2)/ SW-R/ SW-L BLOCK

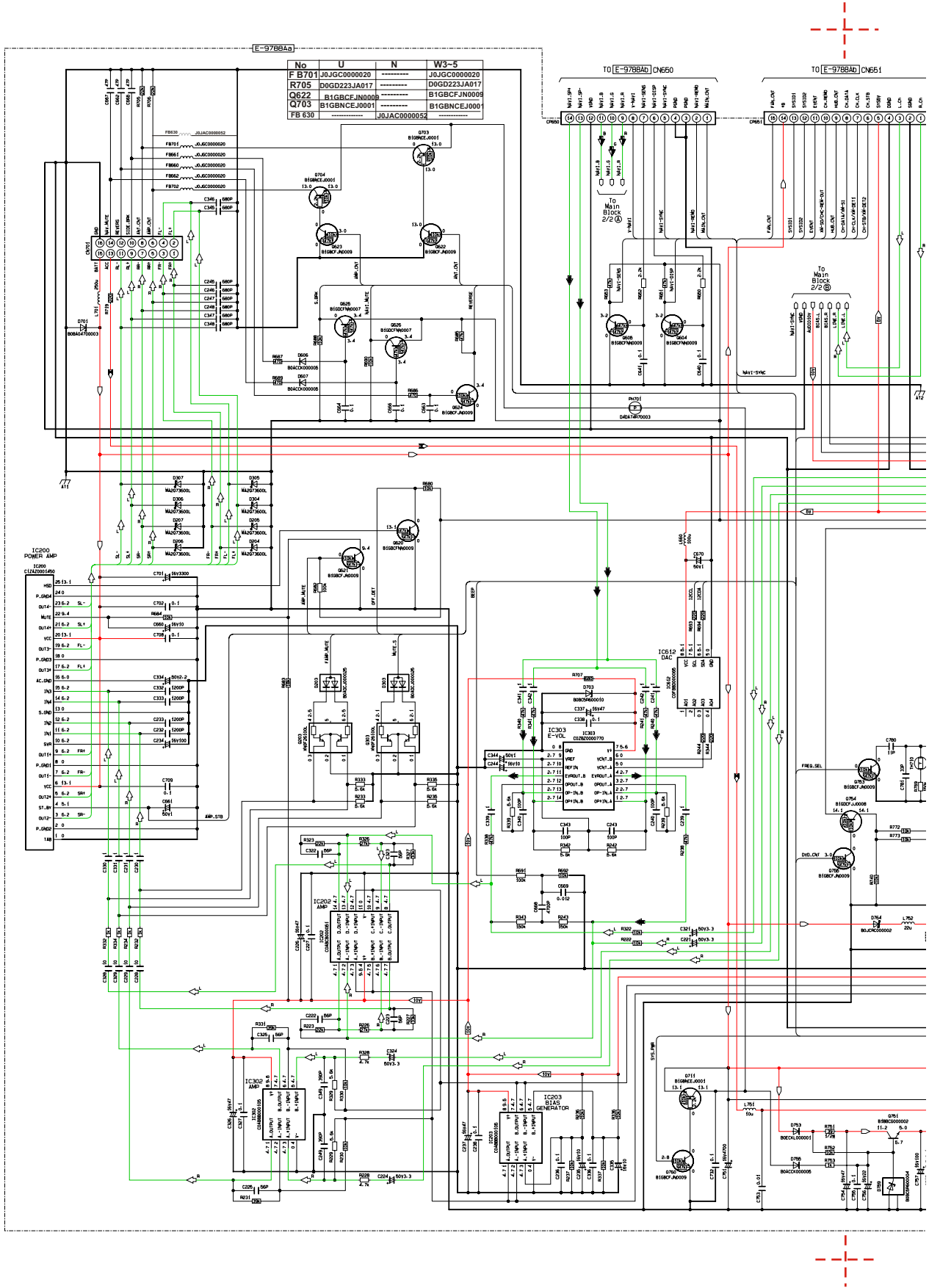
# 19.6. DVD Deck Block



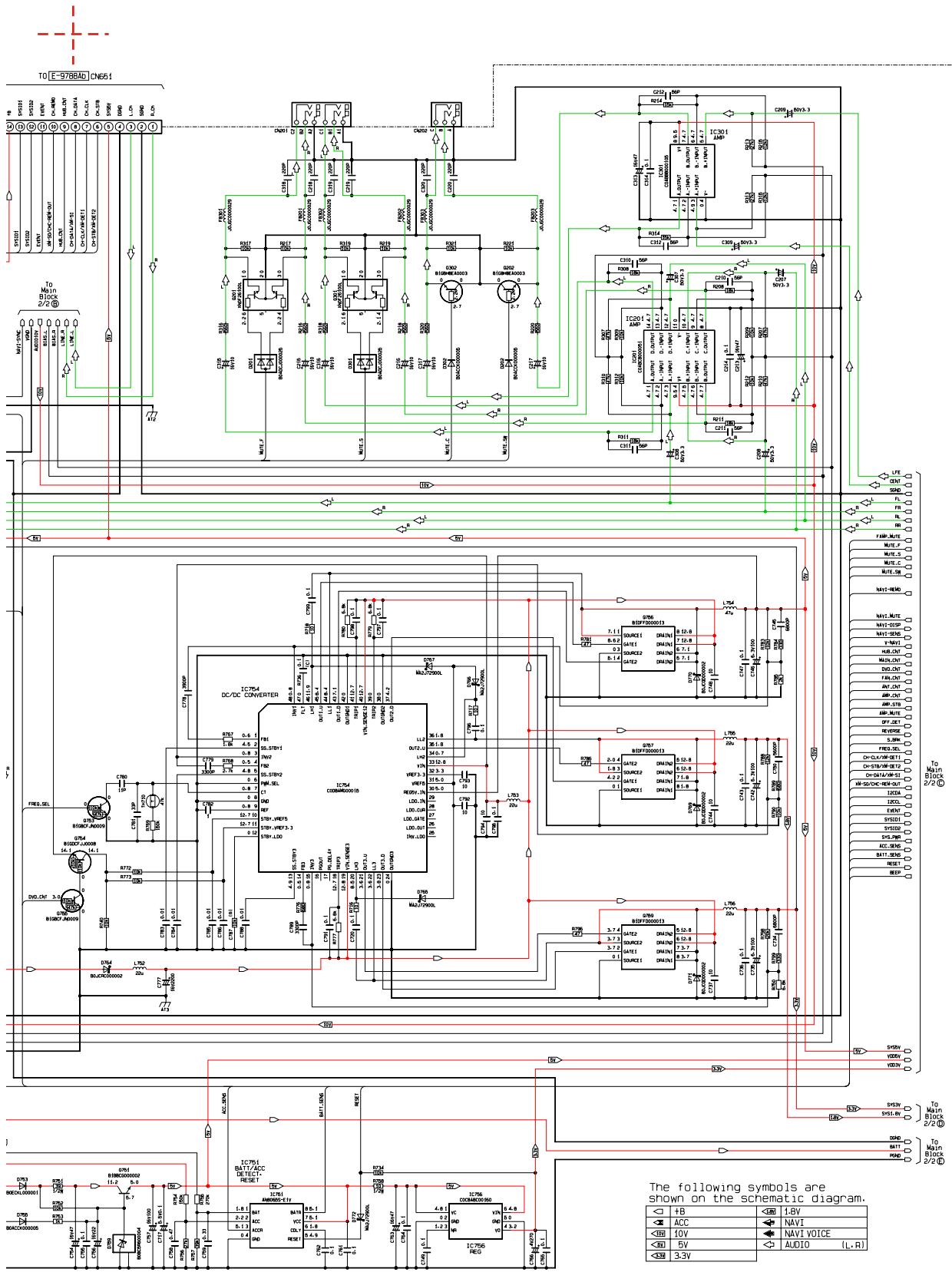
CQ-VD6505U/NW GFD69248 DVD DECK BLOCK

# 20 SCHEMATIC DIAGRAM for Printing with Letter Size

## 20.1. Main-1 Block (Left Side)



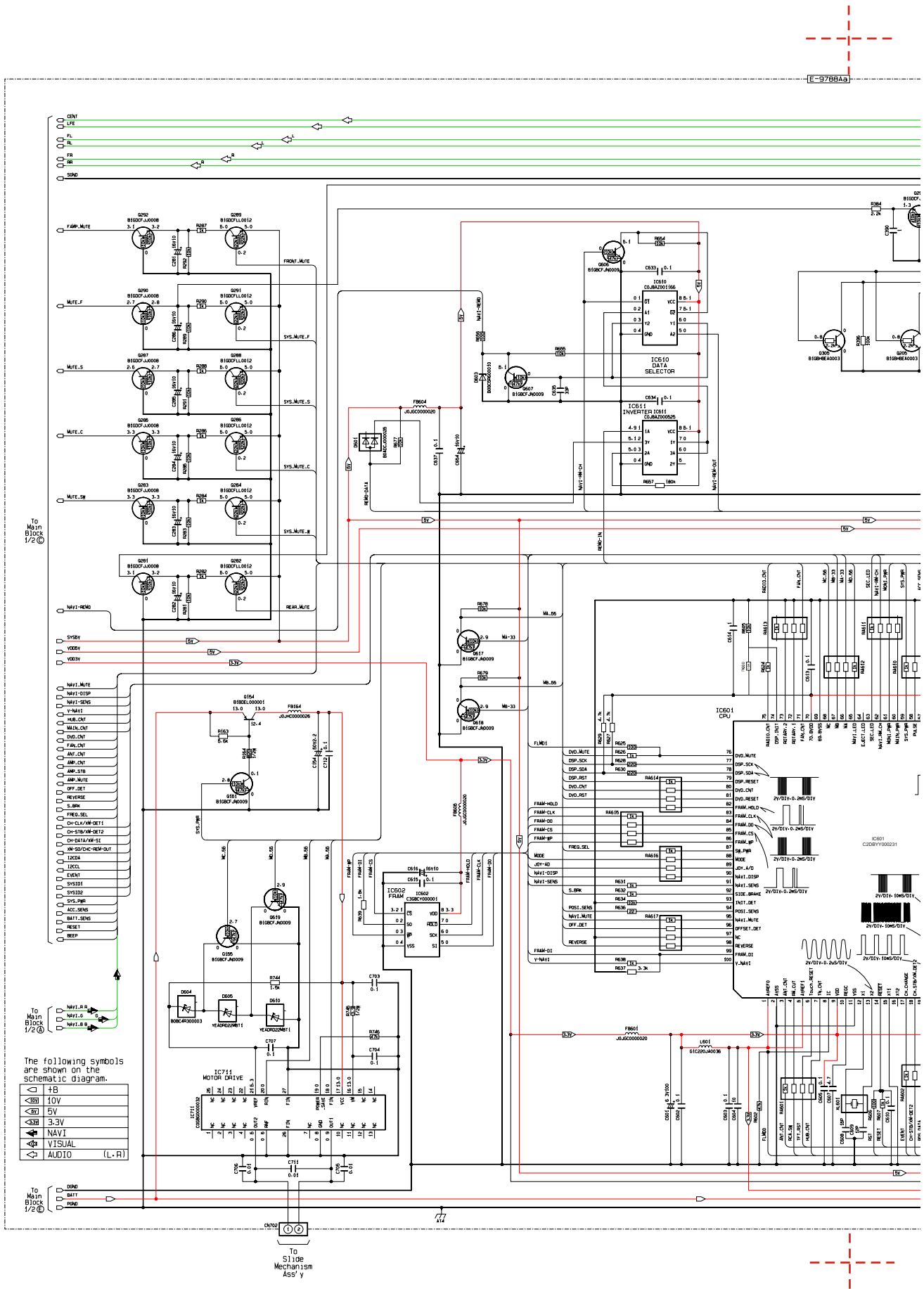
# 20.2. Main-1 Block (Right Side)



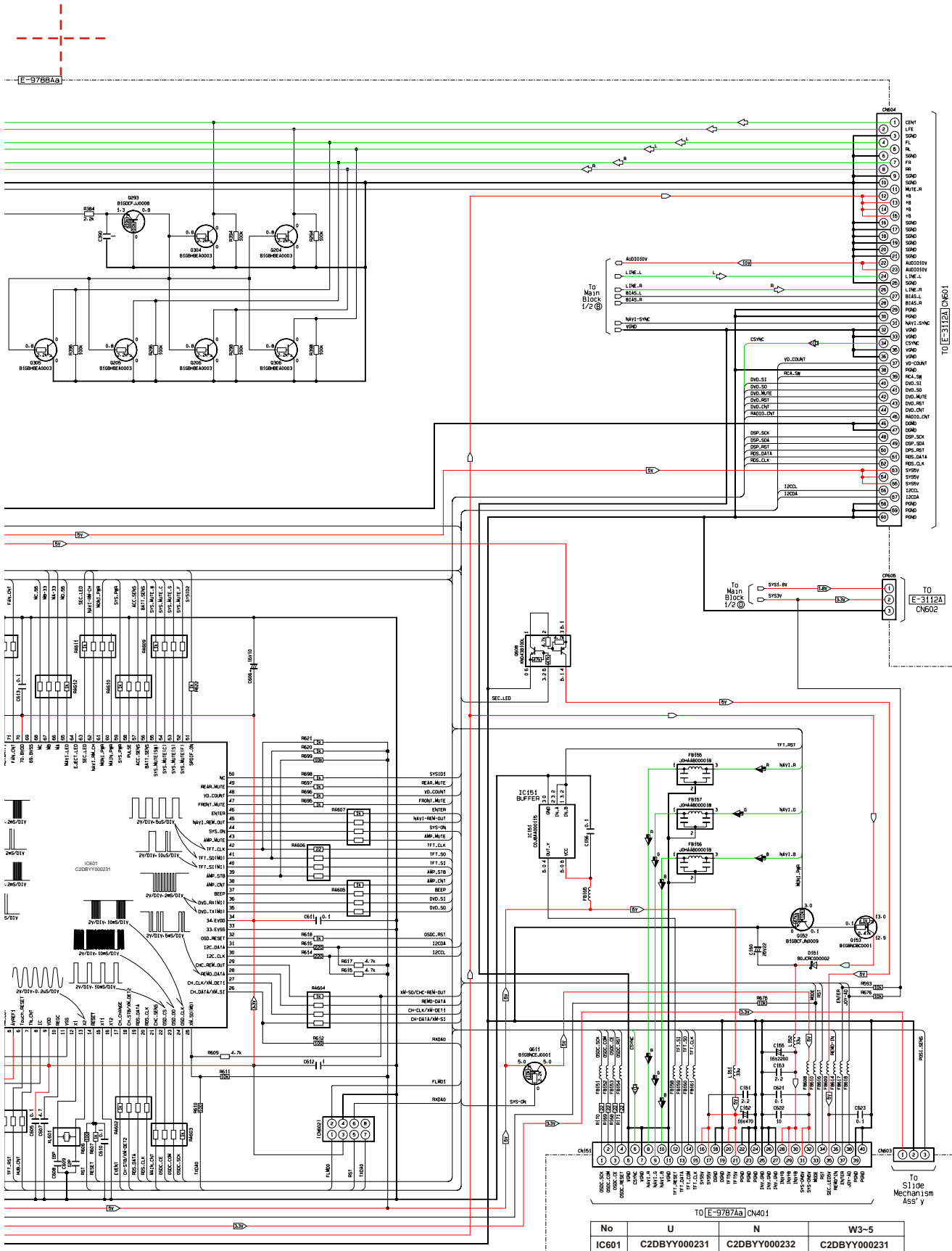
The following symbols are shown on the schematic diagram.

◁ T6	◁ 1.5V
◁ ACC	◁ NAVI
◁ 10V	◁ NAVI VOICE
◁ 5V	◁ AUDIO (L,R)
◁ 3.3V	

# 20.3. Main-2 Block (Left Side)



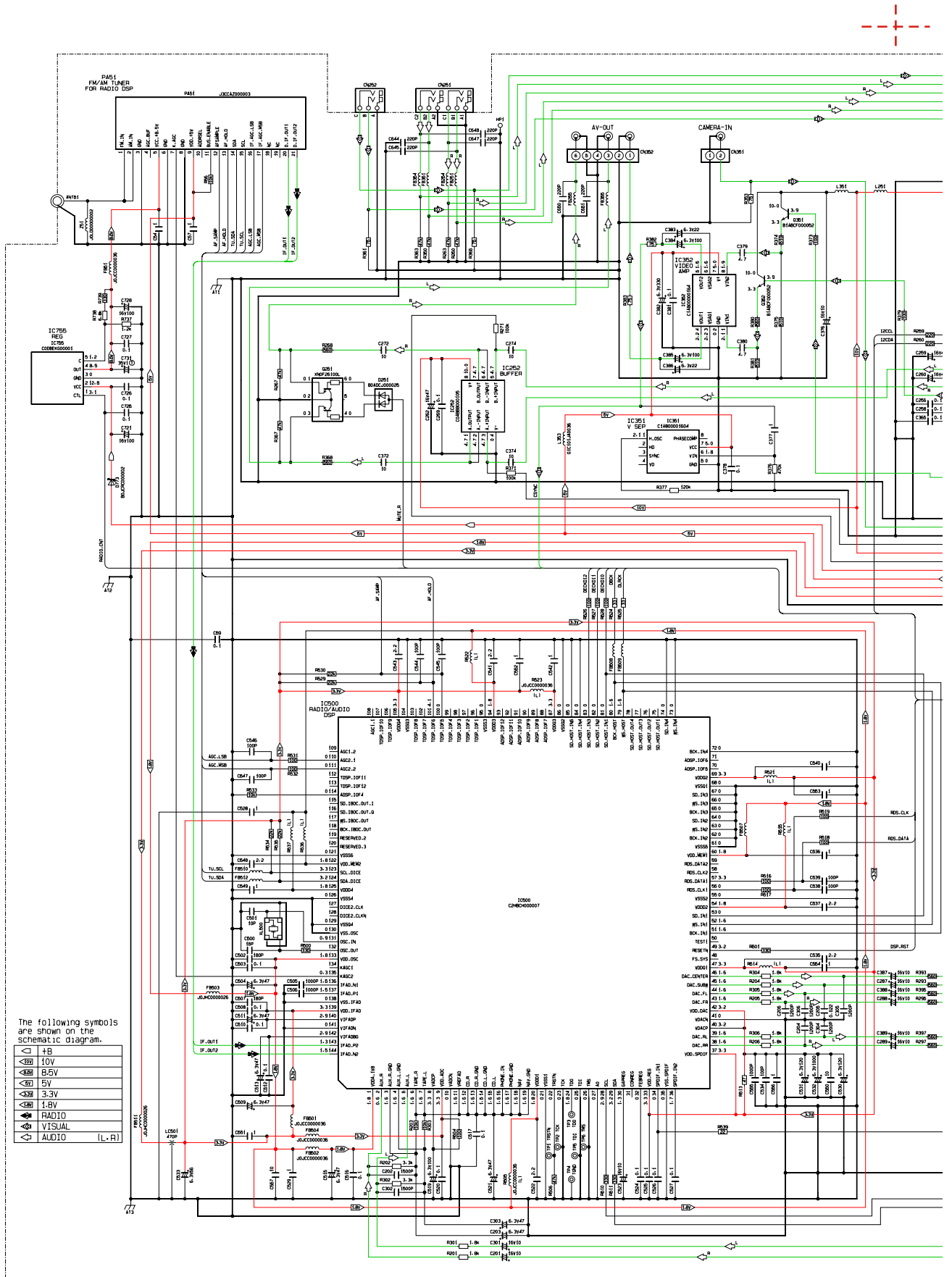
# 20.4. Main-2 Block (Right Side)



TO E-9787Aa CN401

No	U	N	W3-5
IC601	C2DBY000231	C2DBY000232	C2DBY000231
R600	-----	-----	D0GB103JA008
R605	D0GB103JA008	D0GB103JA008	

# 20.5. Sub Block (Left Side)





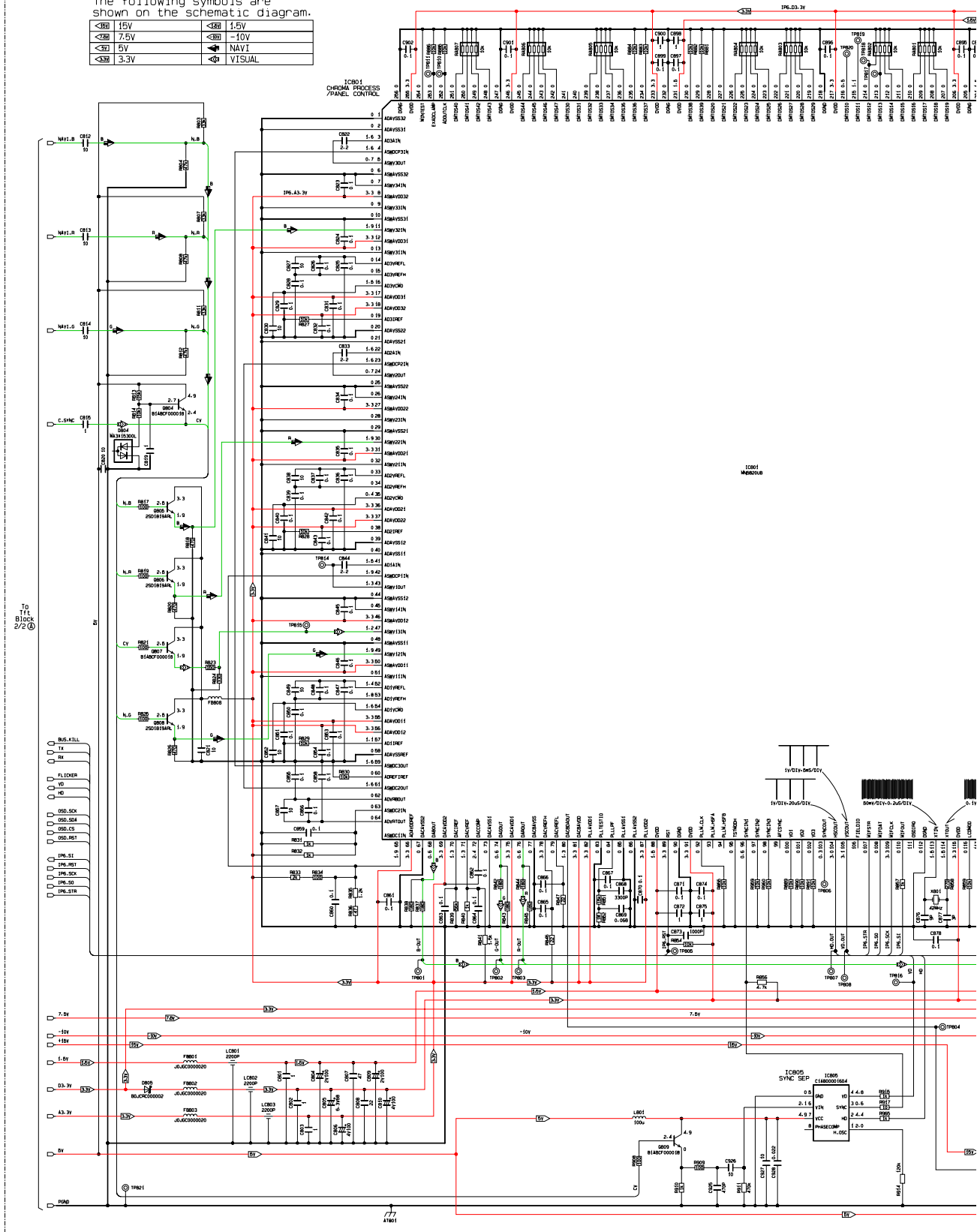


# 20.7. TFT Block-1 (Left Side)



The following symbols are shown on the schematic diagram.

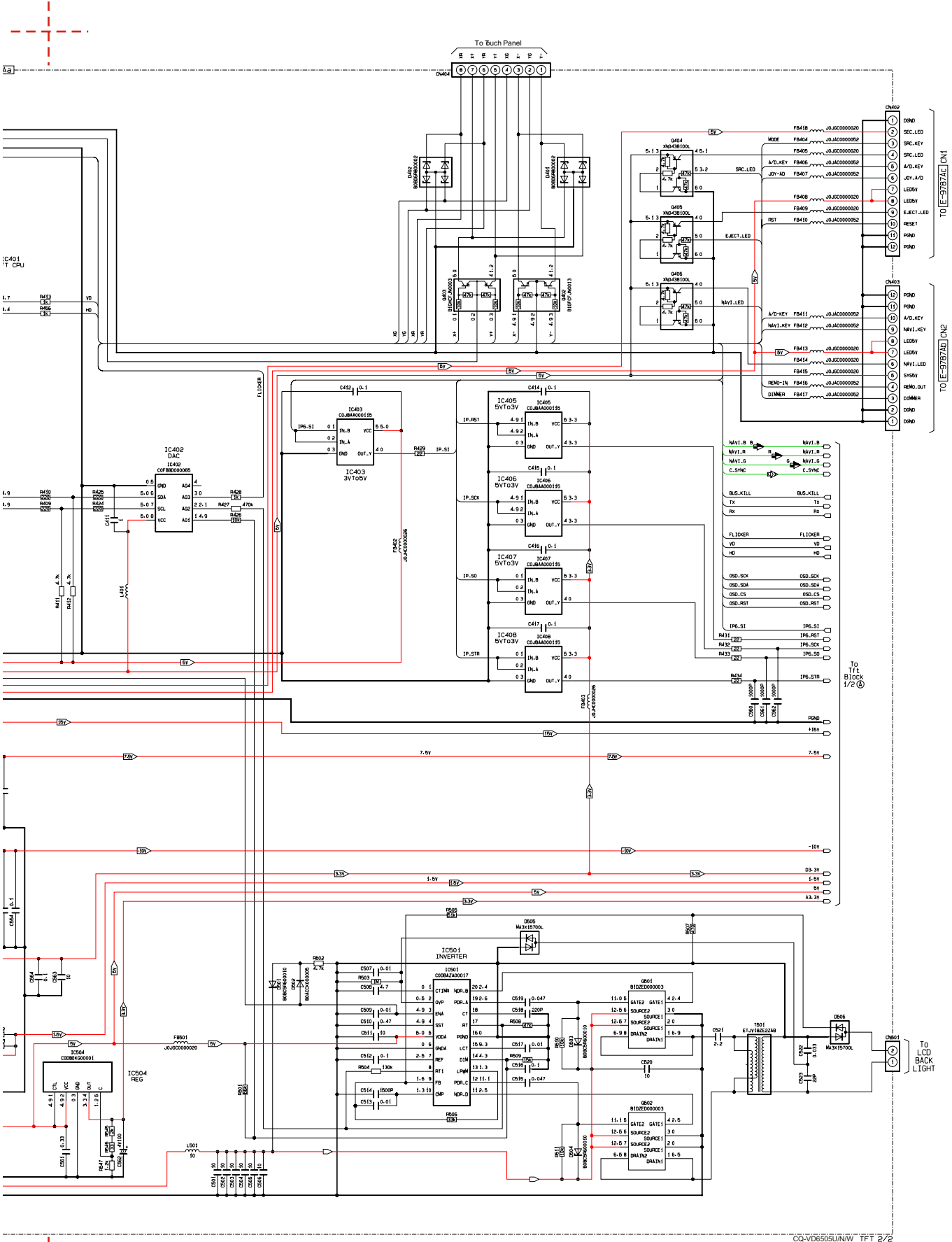
<150	15V	<158	15V
<260	7.5V	<160	-10V
<370	5V	<161	NAVI
<372	3.3V	<162	VISUAL



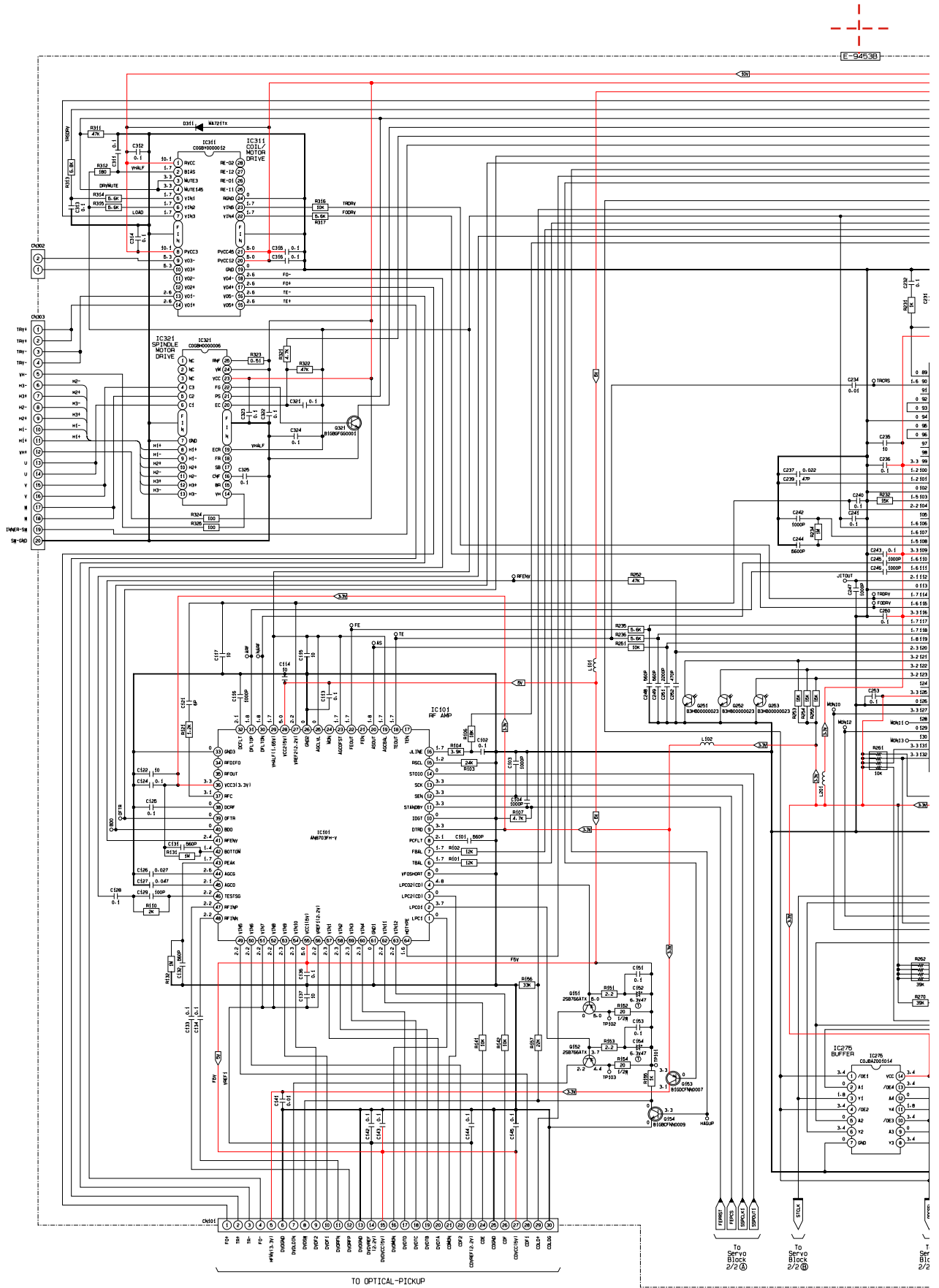




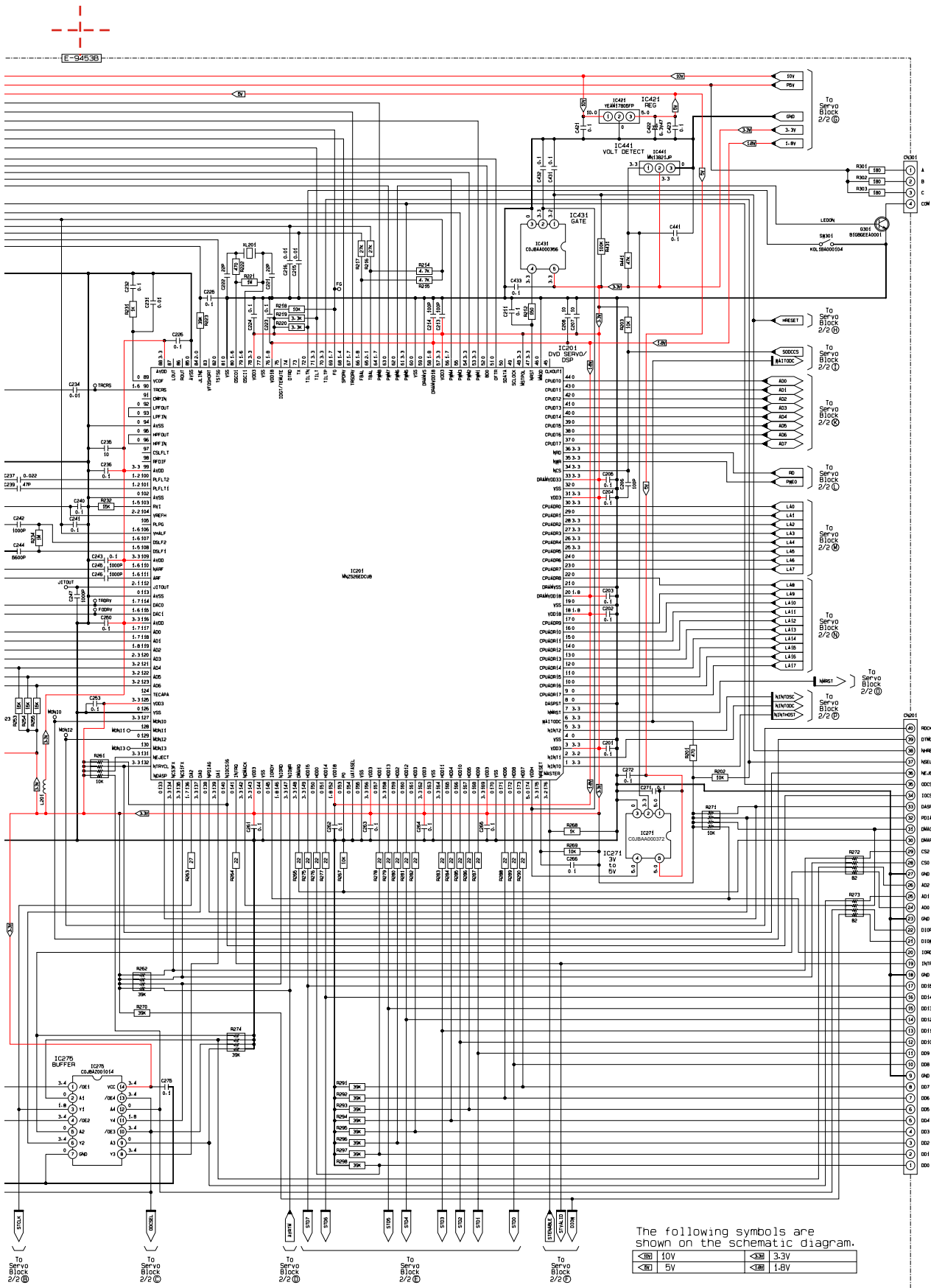
# 20.10. TFT Block-2 (Right Side)



# 20.11. DVD Servo Block-1 (Left Side)

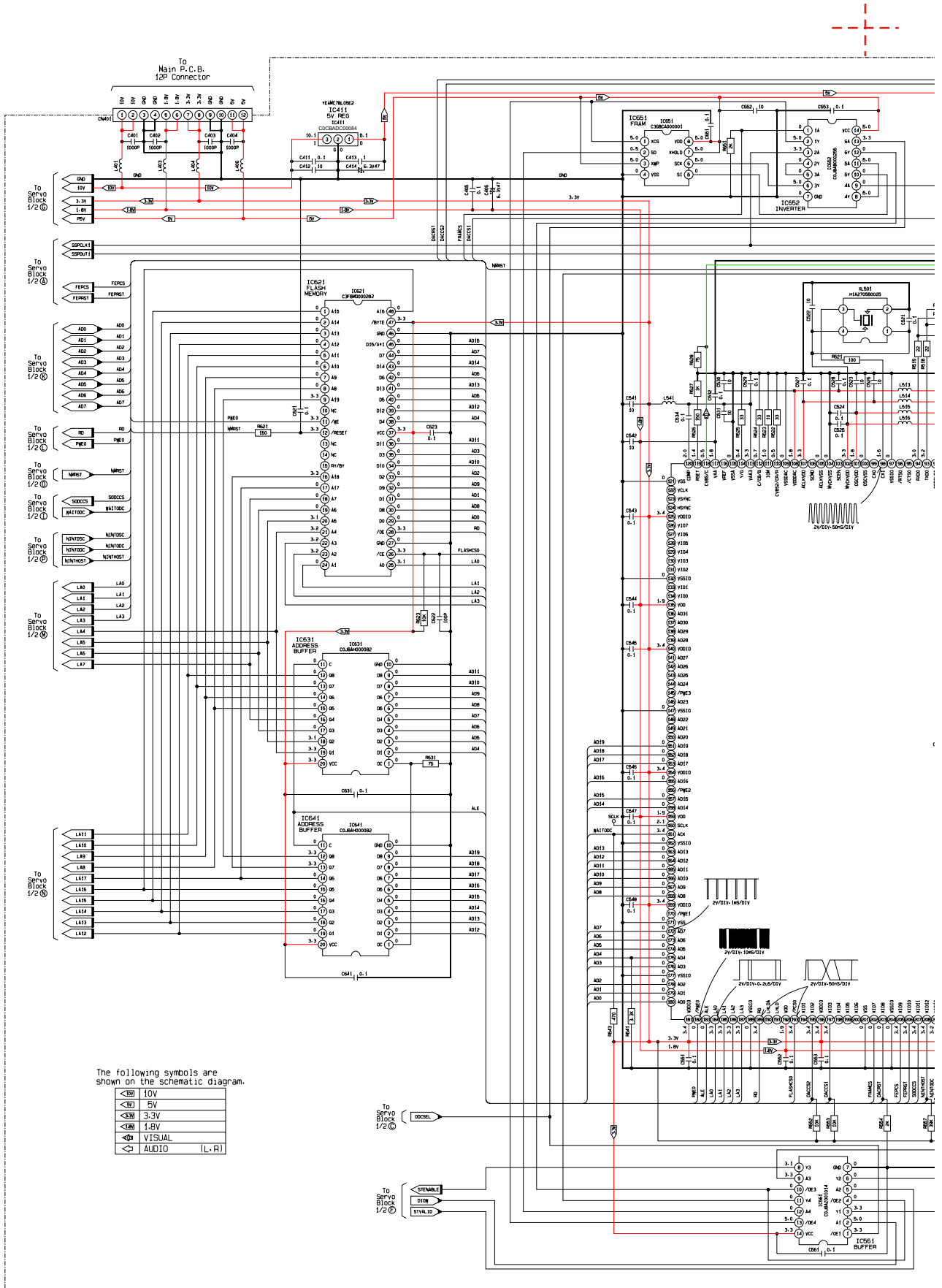


# 20.12. DVD Servo Block-1 (Right Side)



CQ-VD6505U/VD6505U/VD6505W 6FD69248 MAIN 17/2

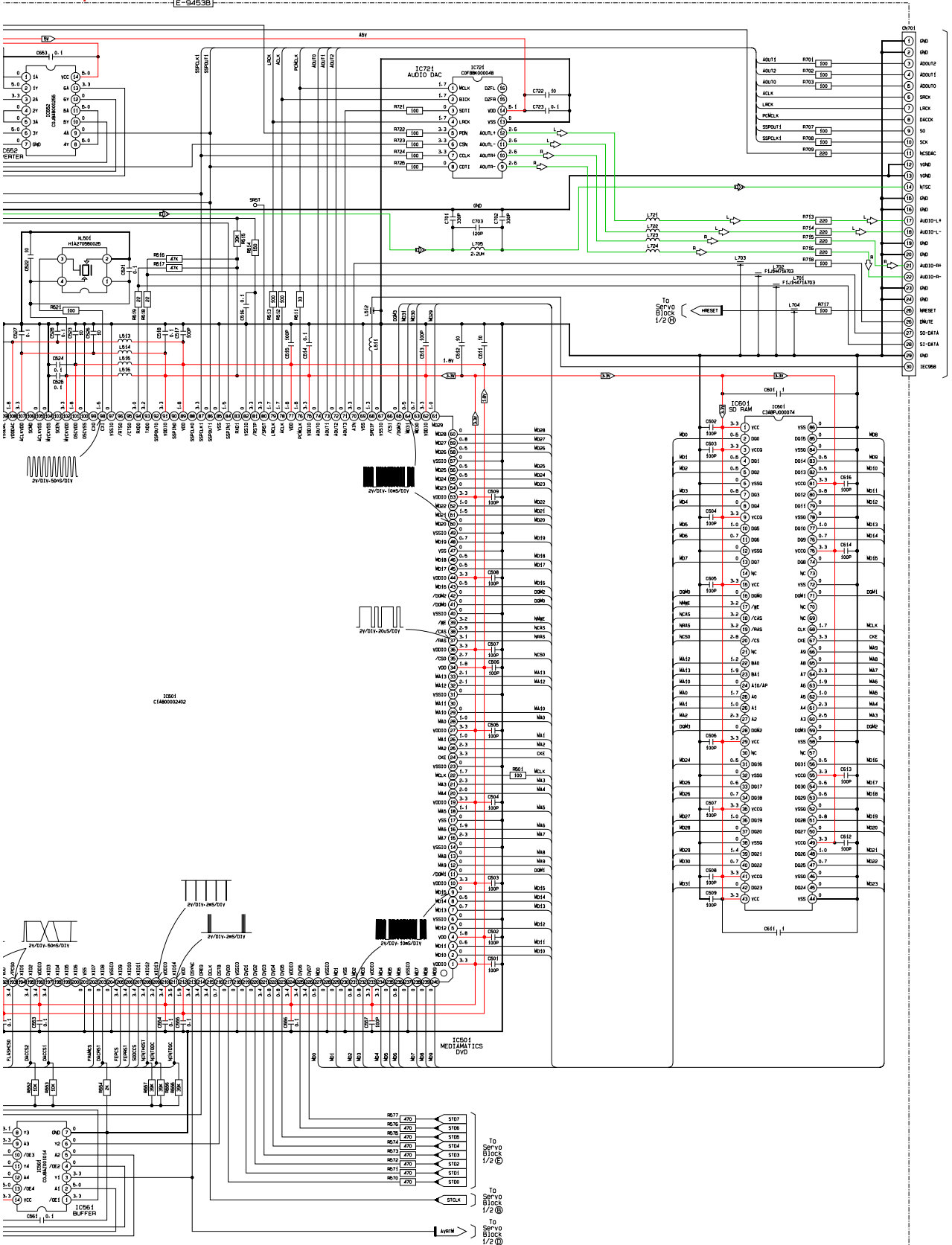
# 20.13. DVD Servo Block-2 (Left Side)



The following symbols are shown on the schematic diagram.

	10V
	5V
	3.3V
	1.8V
	VISUAL
	AUDIO [L, R]

# 20.14. DVD Servo Block-2 (Right Side)



CQ-VD6505NV/VD6505UV/VD6505W GFD69248 MAIN 2/2