

# 980 Series Snap - Mount 1/2" Dia Indicator Lights

## Overview

The 980 Series non-relampable snap mount indicator lights feature molded plastic flex arms which insure easy front panel installation into a 1/2" diameter hole. This series is designed to snap securely into panel without the use of additional hardware.

## Approval

Units with wire leads are U.L. Listed. Units with terminals are U.L. Recognized. All units are CSA Certified.

## Specification

**Housing:** White nylon (standard), black optional, other colors available to special order.

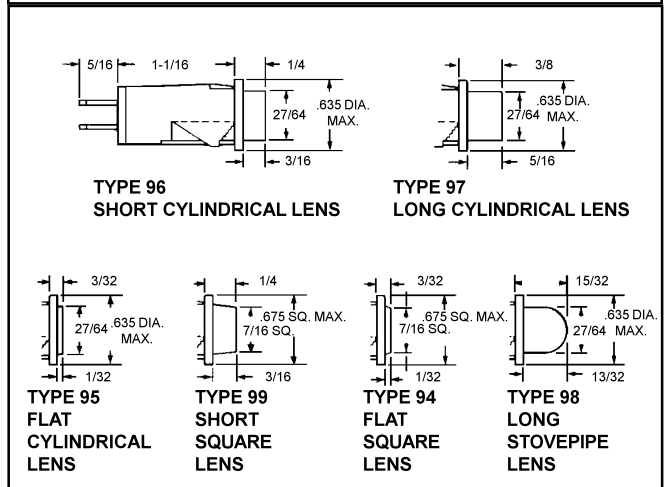
**Bezel:** Chrome-plated finish standard. Other bezel finishes are available. Bezels are required with lens types 94 (flat square) and 99 (short square). Bezels are optional on all other lens types.

**Terminations:** Wire leads: Black #18 gauge, PVC plastic insulated. UL-CSA rated at 105°C. 6" +/- 1/2" long, 1/2" stripped. Terminals: Brass, Tin-plated 3/16" quick-connect.

**Lens:** Heat resistant, high strength polycarbonate. **Lens Marking:** Flat lenses may be stamped. Contact factory.

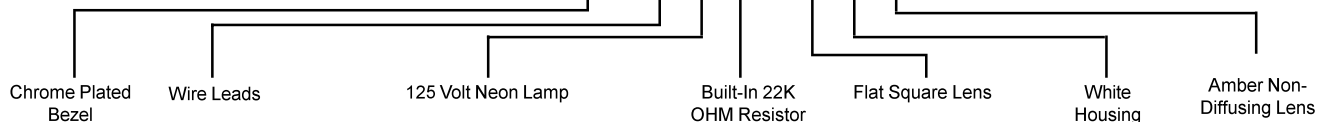
**Mounting:** Designed to snap securely into a .500"/.510" diameter hole. Panel thickness ranges from .040" to .100".

**Incandescent AC or DC Voltage options:** 6 to 28 volts. **High Brightness Neon AC Voltage options:** 125 to 250 volts. **Blue or Green Neon AC or DC Voltage options:** 125 to 250 volts.



## ORDERING INFORMATION:

EXAMPLE: 981 6 70 A 94 W AN



Series Number	Termination	Lamp				Resistor	Lens Type	Housing Color	Lens Color		
		Code	Volts	MA	Life (Hrs)						
980 No Bezel	6 6" Wire Leads	03	14.0	80	15,000	X None (No Resistor required with incandescent lamps)	95 Flat Cylindrical (Fresnel)	W White (Standard)	Nondiffusing (Clear)		
981 Chrome Plated Bezel	7 .187" Q.C. Terminals	04	28.0	40	7,000				<b>NEON (High Brightness)</b> 70 <sup>2</sup> 125 1/3 W 10,000 A 22K OHM 71 <sup>2</sup> 250 1/3 W 10,000 T 150K OHM 56 <sup>3</sup> 125 1/3 W 10,000 B 30K OHM 56 <sup>3</sup> 250 1/3 W 10,000 E 100K OHM 57 <sup>4</sup> 125 1/3 W 10,000 B 30K OHM 57 <sup>4</sup> 250 1/3 W 10,000 E 100K OHM	96 Short Cylindrical (Fresnel) 97 Long Cylindrical (Fresnel) 98 Long Stovepipe (Fresnel) 99 <sup>5</sup> Short Square (Fresnel)	B Black (Optional)
982 Black Anodized Bezel											

<sup>2</sup> Standard Neon. Use with lens colors AN, CN, RN, WN, or YN.  
<sup>3</sup> Green Neon. Use with lens colors CN, GN, or WN.  
<sup>4</sup> Blue Neon. Use with lens colors BN, CN, or WN.  
<sup>5</sup> Bezel Required.