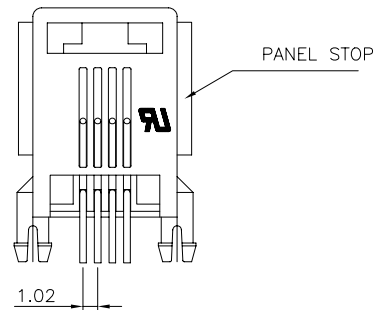
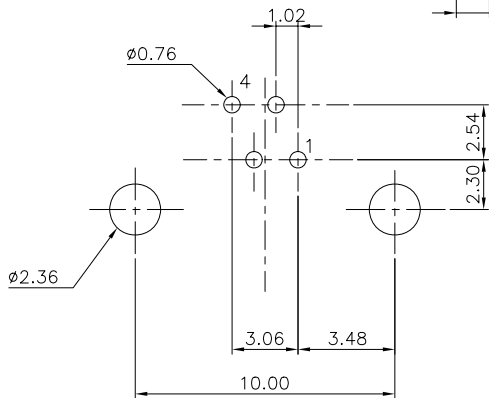
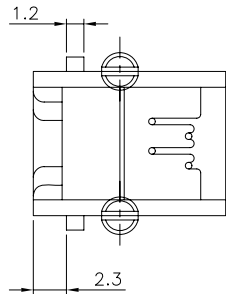
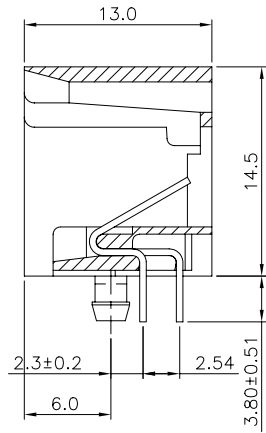
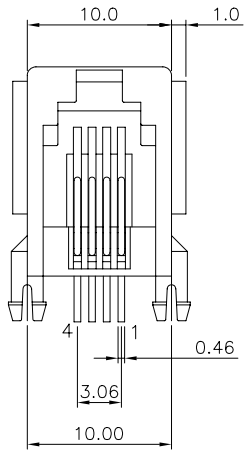


REVISION RECORD				
REV	ECO	DESCRIPTION	DRFT	CHKD
△1		ADD P/N	JAMY 10/26/05	
△2		ADD P/N	YAN 11/01/05	
△3		ADD P/N	FRANK 11/05/05	
△4		ADD U"	Carl 11/18/05	
△5		ADD P/N.	HERO 12/08/05	
△6		ADD P/N.	HERO 12/13/05	



**NOTES:**

**ELECTRICAL:**

- VOLTAGE RATING : 125 VAC RMS.
- CURRENT RATING : 1.5 AMP.
- CONTACT RESISTANCE : 30 MILLIOHMS MAX.
- INSULATION RESISTANCE: 1000 MEGOHMS MIN @ 500 VDC.
- DIELECTRIC STRENGTH : 1000 VAC RMS 60Hz, 1MIN.

**MECHANICAL:**

- HOUSING MATERIAL : PBT15%&PBT+30%.G.F UL94V-0.
- HOUSING COLOUR : BLACK.
- CONTACT MATERIAL : PHOSPHOR BRONZE  $\phi$ 0.46mm.
- PLATING : GOLD PLATING OVER NICKEL.
- OPERATING LIFE : 750 CYCLES MIN.
- PCB RETENTION PRE-SOLDER : 1 LB MIN.
- PCB RETENTION POST-SOLDER: 10 LBS MIN.

**ENVIRONMENTAL:**

- STORAGE : -40°C TO +85°C.
- OPERATION: 0°C TO 70°C.
- WAVE SOLDERING TEMPERATURE: 230°C~250°C(3~5 SECONDS)

MATES WITH MODULAR PLUG CONFORMING TO  
FCC PART 68, SUBPART F.  
CUL FILE NO. E163191

ROHS PART NUMBER: E5544-60LXXX-L

- 02-W/O PANEL STOP PBT+15%.G.F BK
- 12-W/O PANEL STOP PBT+15%.G.F GY
- 0M-W/ PANEL STOP PBT+15%.G.F BK
- 1M-W/ PANEL STOP PBT+15%.G.F GY
- △K2-W/O PANEL STOP FR50 GY, W/O LOGO
- △01-W/ PANEL STOP PBT+15% BK, W/O LOGO
- △1R-W/ PANEL STOP PBT+30% GY W/O LOGO
- △D4-W/O PANEL STOP PBT+30% GY W/O LOGO

PC Board Layout Component Side Shown

<p>← MM (INCH) →</p>		DFTO JAMY	DATE 8/12/05	<p><b>FULL RISE ELECTRONIC CO., LTD</b></p>	
<p>TOLERANCES EXCEPT AS NOTED</p>		CHKD	DATE		
MM	±	MFO	DATE	<p>TITLE</p> <p>MINI L/P PCB JACK 4P</p>	
.0 ±0.20	±	APPVL OSCAR	DATE 12/20/05		
.00 ±0.15	±	MATERIAL :		<p>DRAWING NO. GE553018-LC</p> <p>/PART NO. SEE NOTE</p>	
.000 ±0.075	±	FINISH :			
<p>ANGLES ±</p>		<p>QTY :</p>		<p>SIZE REV</p> <p>A3 6</p>	
<p>THIRD ANGLE PROJECTION</p>		<p>SCALE : 3:1</p>		<p>DO NOT SCALE DRAWING</p>	
		<p>SHEET X OF Y</p>			

H  
G  
F  
E  
D  
C  
B  
A