

Schottky Rectifier Diode, 60A

Features

- Fast Switching
- Low forward voltage drop
- Guard ring protection
- High surge capacity
- High efficiency, low power loss

Electrical Ratings ($T_J = 25^\circ\text{C}$, unless otherwise noted)

Parameter	Symbol	Values	Units
Repetitive peak reverse voltage	V_{RRM}	45	V
DC blocking voltage	V_{DC}		
Average rectified forward current ($T_C \leq 100^\circ\text{C}$)	$I_{F(AV)}$	60	A
Non-repetitive peak surge current, half sine wave ($T_C = 25^\circ\text{C}$)	I_{FSM}	800	A



DO-203AB (DO-5)

Maximum Ratings ($T_C = 25^\circ\text{C}$, unless otherwise noted)

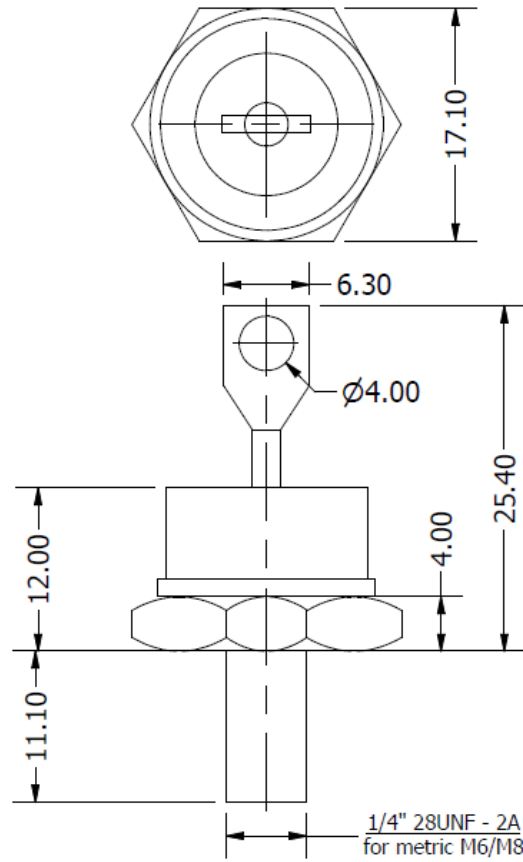
Parameter	Test Conditions	Symbol	SD51(R)	Units
Maximum instantaneous forward voltage	$I_F = 60\text{ A}$ $T_C = 25^\circ\text{C}$	V_F	0.66	V
Maximum instantaneous reverse current at rated DC voltage	$V_R = 45\text{ V}, T_C = 25^\circ\text{C}$	I_R	5	mA
	$V_R = 45\text{ V}, T_C = 125^\circ\text{C}$		200	

Thermal & Mechanical Specifications ($T_E = 25^\circ\text{C}$, unless otherwise noted)

Parameters	Symbol	SD51(R)	Units
Maximum thermal resistance, junction to case	$R_{th(jc)}$	1.0	$^\circ\text{C}/\text{W}$
Operating junction temperature range	T_J	-65 to 150	$^\circ\text{C}$
Storage temperature	T_{stg}	-65 to 175	$^\circ\text{C}$
Mounting torque (non-lubricated threads)	F	4.0	Nm
Approximate allowable weight	W	17.0	g



Package Outline



ALL DIMENSIONS IN MM