

PCA9511A

Hot Swappable I²C-Bus and SMBus Bus Buffer

The PCA9511A is a hot swappable I²C-bus and SMBus buffer that allows I/O card insertion into a live backplane without corrupting the data and clock buses. Control circuitry prevents the backplane from being connected to the card until a stop command or bus idle occurs on the backplane without bus contention on the card. When the connection is made, the PCA9511A provides bidirectional buffering, keeping the backplane and card capacitances isolated.

The PCA9511A rise time accelerator circuitry allows the use of weaker DC pull-up currents while still meeting rise time requirements. The PCA9511A incorporates a digital ENABLE input pin, which enables the device when asserted HIGH and forces the device into a low current mode when asserted LOW, and an open-drain READY output pin, which indicates that the backplane and card sides are connected together (HIGH) or not (LOW).

During insertion, the PCA9511A SDA and SCL lines are precharged to 1 V to minimize the current required to charge the parasitic capacitance of the chip.

Features

- Bidirectional Buffer for SDA and SCL Lines Increases Fan-Out and Prevents SDA and SCL Corruption During Live Board Insertion and Removal from Multipoint Backplane Systems
- $\Delta V/\Delta t$ Rise Time Accelerators on all SDA and SCL lines
- Active HIGH ENABLE Input
- Active HIGH READY Open-Drain Output
- High-Impedance SDA and SCL for $V_{CC} = 0$ V
- 1 V precharge on all SDA and SCL Lines
- Supports Clock Stretching and Multiple Master arbitration/Synchronization
- V_{CC} Operating Range: 2.7 V to 5.5 V
- I²C and SMBus SCL Clock Frequency up to 1 MHz
- Alternate Features for PCA9510A/PCA9512A/PCA9513A/PCA9514A
- Available in: Micro8, SOIC-8
- ESD Performance: 8000 V HBM, 600 V MM, 2000V CDM
- These are Pb-Free Devices

Applications

- cPCI, VME, AdvancedTCA cards and other multipoint backplane cards that are required to be inserted or removed from an operating system



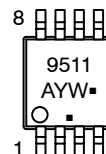
ON Semiconductor®

<http://onsemi.com>

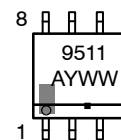
MARKING DIAGRAMS



Micro8™
DM SUFFIX
CASE 846A



SOIC-8
CASE 751



A = Assembly Location
L = Wafer Lot
M = Date Code
Y = Year
W = Work Week
▪ = Pb-Free Package

(Note: Microdot may be in either location)

ORDERING INFORMATION

See detailed ordering and shipping information on page 15 of this data sheet.

PCA9511A

FEATURE SELECTION

FEATURE SELECTION CHART

| Feature | PCA9510A | PCA9511A | PCA9512A | PCA9513A | PCA9514A |
|---|----------|----------|----------|----------|----------|
| idle detect | Yes | Yes | Yes | Yes | Yes |
| high-impedance SDA, SCL pins for $V_{CC} = 0$ V | Yes | Yes | Yes | Yes | Yes |
| rise time accelerator circuitry on SDA _n and SCL _n lines | | Yes | Yes | Yes | Yes |
| rise time accelerator circuitry hardware disable pin for lightly loaded systems | | | Yes | | |
| rise time accelerator threshold 0.8 V versus 0.6 V improves noise margin | | | | Yes | Yes |
| ready open-drain output | Yes | Yes | | Yes | Yes |
| two V_{CC} pins to support 5 V to 3.3 V level translation with improved noise margins | | | Yes | | |
| 1 V precharge on all SDA and SCL lines | In only | Yes | Yes | | |
| 92 μ A current source on SCLIN and SDAIN for PICMG applications | | | | Yes | |

BLOCK DIAGRAM

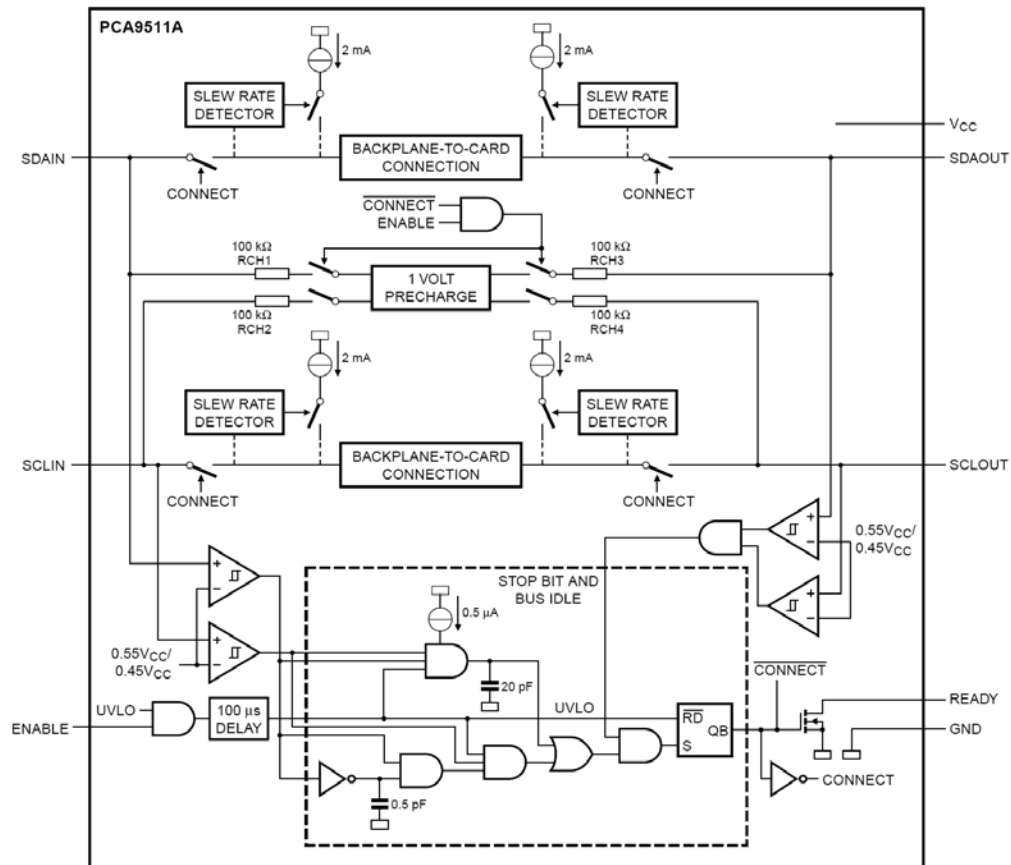


Figure 1. Block Diagram of PCA9511A

PCA9511A

PIN ASSIGNMENT

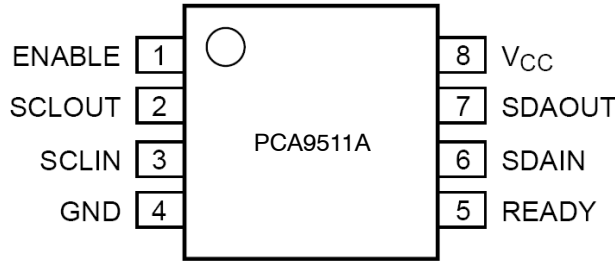


Figure 2. SOIC8 / Micro-8

PIN DESCRIPTIONS

| Symbol | Pin | Description |
|-----------------|-----|--|
| ENABLE | 1 | Chip enable. Grounding this input puts the part in a low current ($< 1 \mu\text{A}$) mode. It also disables the rise time accelerators, isolates SDAIN from SDAOUT and isolates SCLIN from SCLOUT. |
| SCLOUT | 2 | Serial Clock Output to and from the SCL bus on the card |
| SCLIN | 3 | Serial Clock Input to and from the SCL bus on the backplane |
| GND | 4 | Ground. Connect this pin to a ground plane for best results. |
| READY | 5 | Open-drain output which pulls LOW when SDAIN and SCLIN are disconnected from SDAOUT and SCLOUT, and goes HIGH when the two sides are connected Port. |
| SDAIN | 6 | Serial Data Input to and from the SDA bus on the backplane |
| SDAOUT | 7 | Serial Data Output to and from the SDA bus on the card |
| V _{CC} | 8 | Supply Voltage |

FUNCTIONAL DESCRIPTION

Please refer to Figure 1 “Block Diagram of PCA9511A”.

Start-up

An undervoltage / initialization circuit holds the parts in a disconnected state which presents high-impedance to all SDA and SCL pins during power-up. A LOW on the ENABLE pin also forces the parts into the low current disconnected state when the I_{CC} is essentially zero. As the power supply is brought up and the ENABLE is HIGH or the part is powered and the ENABLE is taken from LOW to HIGH, it enters an initialization state where the internal references are stabilized and the precharge circuit is enabled. At the end of the initialization state, the ‘Stop Bit And Bus Idle’ detect circuit is enabled. With the ENABLE pin HIGH long enough to complete the initialization state (t_{en}) and remaining HIGH when all the SDA and SCL pins have been HIGH for the bus idle time or when all pins are HIGH and a STOP condition is seen on the SDAIN and SCLIN pins, SDAIN is connected to SDAOUT and SCLIN is connected to SCLOUT. The 1 V precharge circuitry is activated during the initialization and is deactivated when the connection is made. The precharge circuitry pulls up the SDA and SCL pins to 1 V through individual 100 k Ω nominal resistors. This precharges the pins to 1 V to minimize the worst case

disturbances that result from inserting a card into the backplane where the backplane and the card are at opposite logic levels.

Connect Circuitry

Once the connection circuitry is activated, the behavior of SDAIN and SDAOUT, as well as SCLIN and SCLOUT, become identical with each acting as a bidirectional buffer that isolates the input capacitance from the output bus capacitance while communicating the logic levels. A LOW forced on either SDAIN or SDAOUT will cause the other pin to be driven to a LOW by the part. The same is also true for the SCL pins. Noise between $0.7V_{CC}$ and V_{CC} is generally ignored because a falling edge is only recognized when it falls below $0.7 V_{CC}$ with a slew rate of at least $1.25 \text{ V}/\mu\text{s}$. When a falling edge is seen on one pin, the other pin in the pair turns on a pull-down driver that is referenced to a small voltage above the falling pin. The driver will pull the pin down at a slew rate determined by the driver and the load initially, because it does not start until the first falling pin is below $0.7 V_{CC}$. The first falling pin may have a fast or slow slew rate, if it is faster than the pull down slew rate, then the initial pull-down rate will continue. If the first falling pin has a slow slew rate, then the second pin will be pulled down

at its initial slew rate only until it is just above the first pin voltage, then they will both continue down at the slew rate of the first.

Once both sides are LOW, they will remain LOW until all the external drivers have stopped driving LOWs. If both sides are being driven LOW to the same value, for instance, 10 mV by external drivers, which is the case for clock stretching and is typically the case for acknowledge, and one side external driver stops driving that pin will rise until the internal driver pulls it down to the offset voltage. When the last external driver stops driving a LOW, that pin will rise up and settle out just above the other pin, as both rise together with a slew rate determined by the internal slew rate control and the RC time constant. As long as the slew rate is at least 1.25 V/ μ s, when the pin voltage exceeds 0.6 V for the PCA9511A, the rise time accelerator's circuits are turned on and the pull-down driver is turned off.

Maximum Number of Devices in Series

Each buffer adds about 0.1 V dynamic level offset at 25°C with the offset larger at higher temperatures. Maximum offset (V_{offset}) is 0.150 V with a 10 k Ω pull-up resistor. The

LOW level at the signal origination end (master) is dependent upon the load, and the only specification point is that the I²C-bus specification of 3 mA will produce $V_{\text{OL}} < 0.4$ V, although if lightly loaded, the V_{OL} may be ~ 0.1 V. Assuming $V_{\text{OL}} = 0.1$ V and $V_{\text{offset}} = 0.1$ V, the level after four buffers would be 0.5 V, which is only about 0.1 V below the threshold of the rising edge accelerator (about 0.6 V). With great care, a system with four buffers may work, but as the V_{OL} moves up from 0.1 V, noise or bounces on the line will result in firing the rising edge accelerator, thus introducing false clock edges. Generally, it is recommended to limit the number of buffers in series to two, and to keep the load light to minimize the offset.

The PCA9510A (rise time accelerator is permanently disabled) and the PCA9512A (rise time accelerator can be turned off) are a little different with the rise time accelerator turned off because the rise time accelerator will not pull the node up, but the same logic that turns on the accelerator turns the pull-down off. If the V_{IL} is above ~ 0.6 V and a rising edge is detected, the pull-down will turn off and will not turn back on until a falling edge is detected.

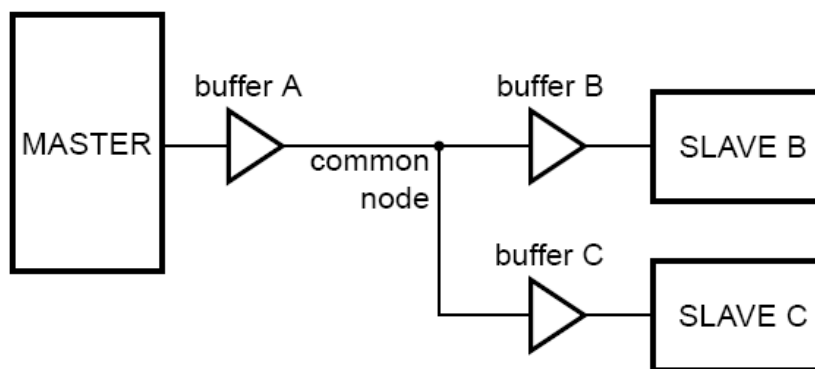


Figure 3. System with 3 Buffers Connected to Common Node

Consider a system with three buffers connected to a common node and communication between the Master and Slave B that are connected at either end of buffer A and buffer B in series as shown in Figure 3. Consider if the V_{OL} at the input of buffer A is 0.3 V and the V_{OL} of Slave B (when acknowledging) is 0.4 V, with the direction changing from Master to Slave B and then from Slave B to Master. Before the direction change, you would observe V_{IL} at the input of buffer A of 0.3 V and its output, the common node, is ~ 0.4 V. The output of buffer B and buffer C would be ~ 0.5 V, but Slave B is driving 0.4 V, so the voltage at Slave B is 0.4 V. The output of buffer C is ~ 0.5 V. When the Master pull-down turns off, the input of buffer A rises and so does its output, the common node, because it is the only part driving the node. The common node will rise to 0.5 V before buffer B's output turns on, if the pull-up is strong, the node may bounce. If the bounce goes above the threshold for the rising edge accelerator ~ 0.6 V, the accelerators on both buffer A and buffer C will fire contending with the output of

buffer B. The node on the input of buffer A will go HIGH as will the input node of buffer C. After the common node voltage is stable for a while, the rising edge accelerators will turn off and the common node will return to ~ 0.5 V because the buffer B is still on. The voltage at both the Master and Slave C nodes would then fall to ~ 0.6 V until Slave B turned off. This would not cause a failure on the data line as long as the return to 0.5 V on the common node (~ 0.6 V at the Master and Slave C) occurred before the data setup time. If this were the SCL line, the parts on buffer A and buffer C would see a false clock rather than a stretched clock, which would cause a system error.

Propagation Delays

The delay for a rising edge is determined by the combined pull-up current from the bus resistors and the rise time accelerator current source and the effective capacitance on the lines. If the pull-up currents are the same, any difference in rise time is directly proportional to the difference in

capacitance between the two sides. The t_{PLH} may be negative if the output capacitance is less than the input capacitance and would be positive if the output capacitance is larger than the input capacitance, when the currents are the same.

The t_{PHL} can never be negative because the output does not start to fall until the input is below 0.7 V_{CC} , and the output turn on has a non-zero delay, and the output has a limited maximum slew rate, and even if the input slew rate is slow enough that the output catches up, it will still lag the falling voltage of the input by the offset voltage. The maximum t_{PHL} occurs when the input is driven LOW with zero delay and the output is still limited by its turn-on delay and the falling edge slew rate. The output falling edge slew rate is a function of the internal maximum slew rate which is a function of temperature, V_{CC} and process, as well as the load current and the load capacitance.

Rise Time Accelerators

During positive bus transitions, a 2 mA current source is switched on to quickly slew the SDA and SCL lines HIGH once the input level of 0.6 V for the PCA9511A is exceeded. The rising edge rate should be at least 1.25 V/ μ s to guarantee turn on of the accelerators. The built-in $\Delta V/\Delta t$ rise time accelerators on all SDA and SCL lines require the bus pull-up voltage and supply voltage (V_{CC}) to be the same.

READY Digital Output

This pin provides a digital flag which is LOW when either ENABLE is LOW, or the start-up sequence described earlier in this section has not been completed. READY goes HIGH when ENABLE is HIGH and start-up is complete. The pin is driven by an open-drain pull-down capable of

sinking 3 mA while holding 0.4 V on the pin. Connect a resistor of 10 k Ω to V_{CC} to provide the pull-up.

ENABLE Low Current Disable

Grounding the ENABLE pin disconnects the backplane side from the card side, disables the rise time accelerators, drives READY LOW, disables the bus precharge circuitry, and puts the part in a low current state. When the pin voltage is driven all the way to V_{CC} , the part waits for data transactions on both the backplane and card sides to be complete before reconnecting the two sides.

Resistor Pull-Up Value Selection

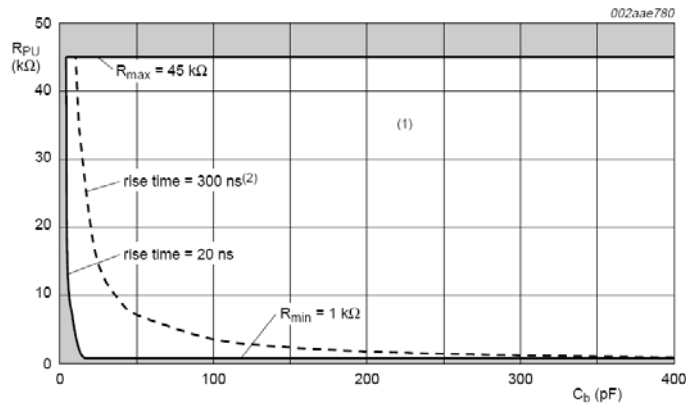
The system pull-up resistors must be strong enough to provide a positive slew rate of 1.25 V/ μ s on the SDA and SCL pins, in order to activate the boost pull-up currents during rising edges. Choose maximum resistor value using the formula given below:

$$R_{PU} \leq 800 \times 10^3 \left(\frac{V_{CC(min)} - 0.6}{C} \right)$$

where R_{PU} is the pull-up resistor value in Ω , $V_{CC(min)}$ is the minimum V_{CC} voltage in volts, and C is the equivalent bus capacitance in picofarads (pF).

In addition, regardless of the bus capacitance, always choose $R_{PU} \leq 65.7$ k Ω for $V_{CC} = 5.5$ V maximum, $R_{PU} \leq 45$ k Ω for $V_{CC} = 3.6$ V maximum. The start-up circuitry requires logic HIGH voltages on SDAOUT and SCLOUT to connect the backplane to the card, and these pull-up values are needed to overcome the precharge voltage. See the curves in Figures 4 and 5 for guidance in resistor pull-up selection.

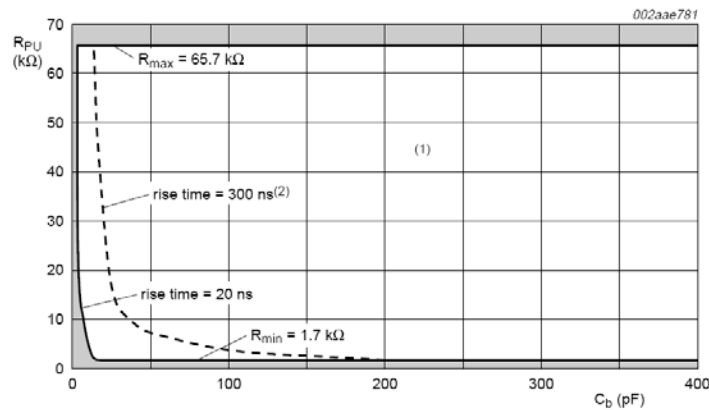
PCA9511A



- (1) Unshaded area indicates recommended pull-up, for rise time < 300 ns, with PCA9511A.
 (2) Rise time without PCA9511A.

- (1) Unshaded area indicates recommended pull-up, for rise time < 300 ns, with PCA9511A.
 (2) Rise time without PCA9511A.

Figure 4. Bus Requirements for 3.3 V Systems



- (1) Unshaded area indicates recommended pull-up, for rise time < 300 ns, with PCA9511A.
 (2) Rise time without PCA9511A.

- (1) Unshaded area indicates recommended pull-up, for rise time < 300 ns, with PCA9511A.
 (2) Rise time without PCA9511A.

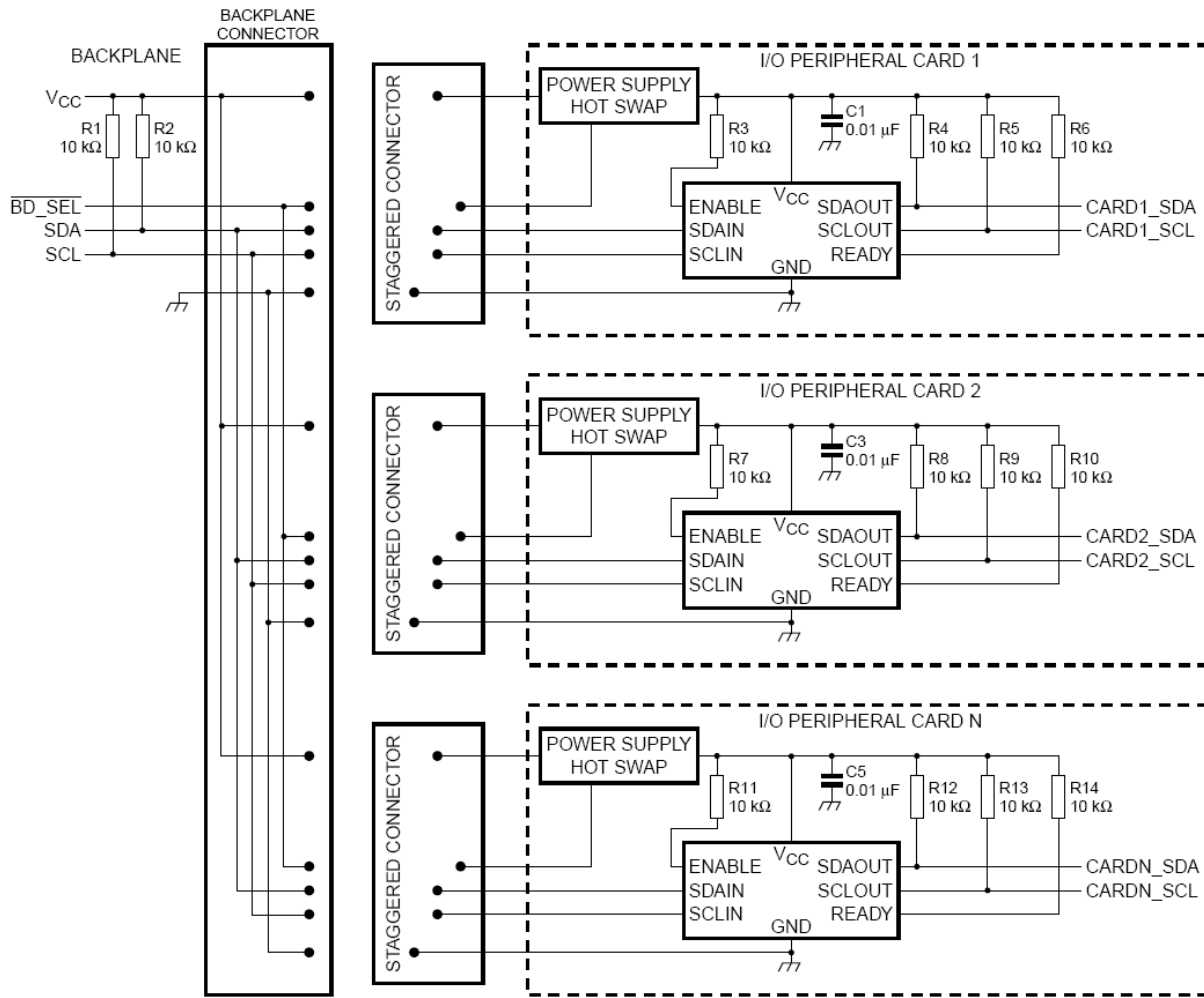
Figure 5. Bus Requirements for 5 V Systems

Hot Swapping and Capacitance Buffering Application

Figures 6 through 9 illustrate the usage of the PCA9511A in applications that take advantage of both its hot swapping and capacitance buffering features. In all of these applications, note that if the I/O cards were plugged directly into the backplane, all of the backplane and card capacitances would add directly together, making rise time

and fall time requirements difficult to meet. Placing a bus buffer on the edge of each card, however, isolates the card capacitance from the backplane. For a given I/O card, the PCA9511A drives the capacitance of everything on the card and the backplane must drive only the capacitance of the bus buffer, which is less than 10 pF, the connector, trace, and all additional cards on the backplane.

PCA9511A



002aab584

Remark: The PCA9511A can be used in any combination depending on the number of rise time accelerators that are needed by the system. Normally only one PCA9511A would be required per bus.

Figure 6. Hot Swapping multiple I/O Cards into a Backplane using the PCA9511A in a cPCI, VME and AdvancedTCA System

PCA9511A

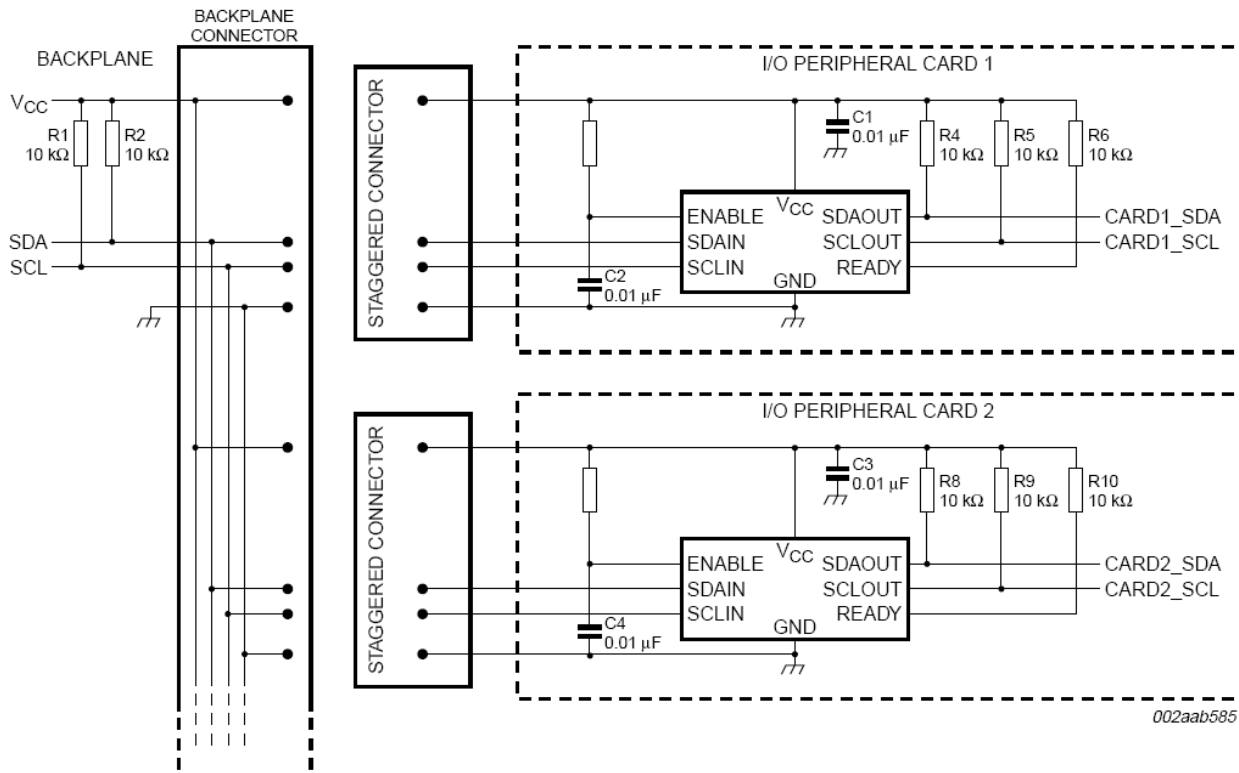


Figure 7. Hot Swapping Multiple I/O Cards into a Backplane Using the PCA9511A in a PCI System

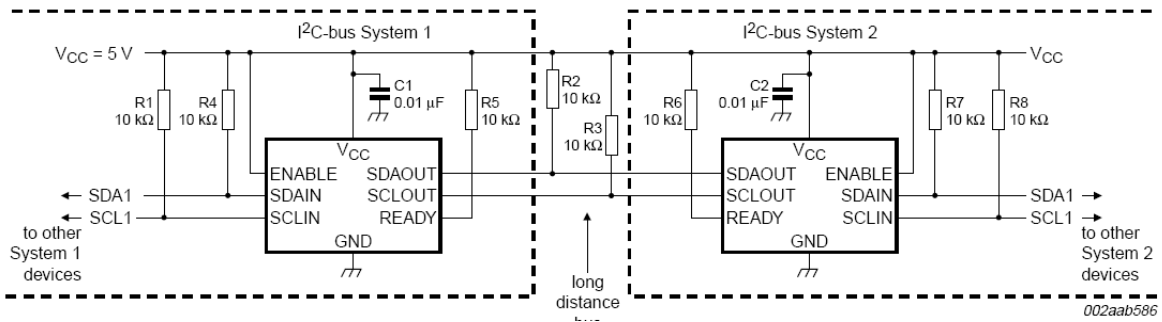
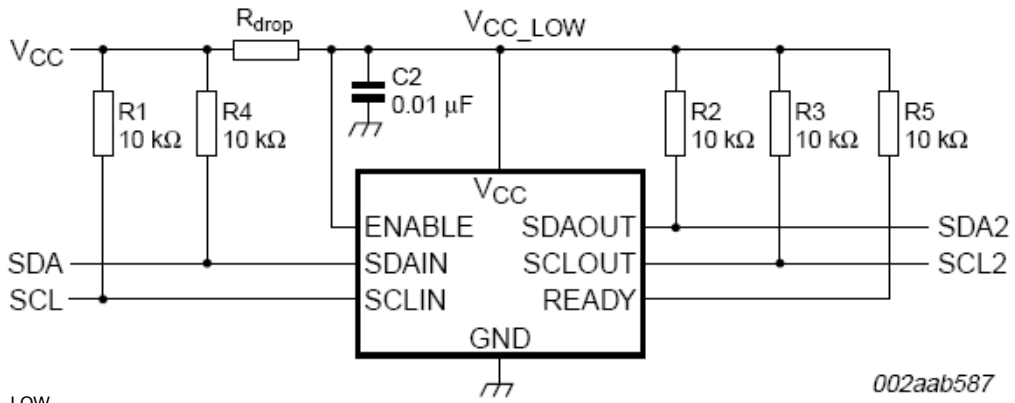


Figure 8. Repeater / Bus Extender Application using the PCA9511A

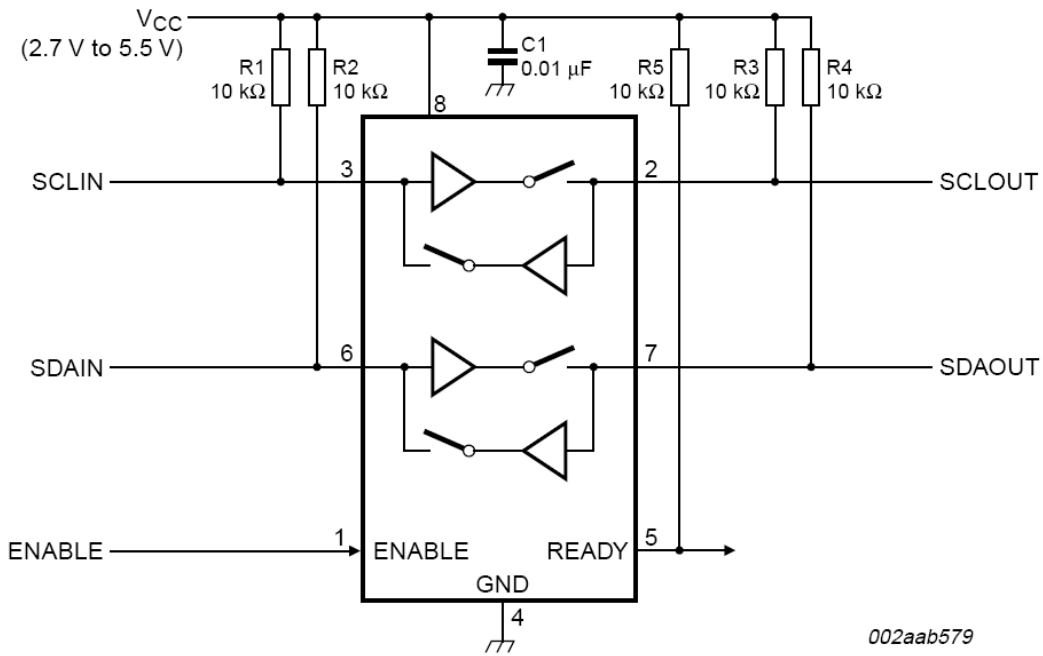
PCA9511A



$V_{CC} > V_{CC_LOW}$
 R_{drop} is the line loss of V_{CC} in the backplane.

002aab587

Figure 9. System with Disparate V_{CC} Voltages



002aab579

Figure 10. Typical Application

PCA9511A

MAXIMUM RATINGS

| Symbol | Parameter | Value | Unit |
|---------------|--|---------------------------|------|
| V_{CC} | Supply Voltage | -0.5 to +7.0 | V |
| V_n | Input / Output Voltage SDAIN, SCLIN, SDAOUT, SCLOUT, READY, ENABLE | -0.5 to +7.0 | V |
| I_I | Input Current | ±20 | mA |
| I_O | Output Current | ±50 | mA |
| I_{CC} | DC Supply Current | ±100 | mA |
| I_{GND} | DC Ground Current | ±100 | mA |
| T_{STG} | Storage Temperature Range | -65 to +150 | °C |
| T_L | Lead Temperature, 1 mm from Case for 10 Seconds | 260 | °C |
| T_J | Junction Temperature Under Bias | 150 | °C |
| θ_{JA} | Thermal Resistance SOIC8 (Note 1) Micro8 | 146 205 | °C/W |
| P_D | Power Dissipation in Still Air at 85°C SOIC8 Micro8 | 856 609 | mW |
| MSL | Moisture Sensitivity | Level 1 | |
| F_R | Flammability Rating Oxygen Index: 28 to 34 | UL 94 V-0 @ 0.125 in | |
| V_{ESD} | ESD Withstand Voltage Human Body Mode (Note 2) Machine Model (Note 3) Charged Device Model (Note 4) | > 8000 > 600 > 2000 | V |
| $I_{LATCHUP}$ | Latchup Performance Above V_{CC} and Below GND at 125°C (Note 5) | ±100 | mA |

Stresses exceeding Maximum Ratings may damage the device. Maximum Ratings are stress ratings only. Functional operation above the Recommended Operating Conditions is not implied. Extended exposure to stresses above the Recommended Operating Conditions may affect device reliability.

1. Measured with minimum pad spacing on an FR4 board, using 10 mm by 1 inch, 2 ounce copper trace no air flow.
2. Tested to EIA / JESD22-A114-A.
3. Tested to EIA / JESD22-A115-A.
4. Tested to JESD22-C101-A.
5. Tested to EIA / JESD78.

RECOMMENDED OPERATING CONDITIONS

| Symbol | Parameter | Min | Max | Unit |
|----------|--------------------------------|-----|-----|------|
| V_{CC} | Positive DC Supply Voltage | 2.7 | 5.5 | V |
| V_n | Input / Output Voltage | 0 | 5.5 | V |
| T_A | Operating Free-Air Temperature | -40 | +85 | °C |

PCA9511A

CHARACTERISTICS $V_{CC} = 2.7\text{ V to }5.5\text{ V}$, unless otherwise specified.

| Symbol | Parameter | Conditions | $T_A = -40^\circ\text{C to }+85^\circ\text{C}$ | | | Unit |
|--------|-----------|------------|--|-----|-----|------|
| | | | Min | Typ | Max | |

SUPPLIES

| | | | | | | |
|-------------------|------------------------------|--|--|-----|---|---------------|
| I_{CC} (Note 6) | Supply Current | $V_{CC} = 5.5\text{ V};$ $V_{SDAIN} = V_{SCLIN} = 0\text{ V}$ | | 3.5 | 6 | mA |
| $I_{CC(sd)}$ | Shutdown Mode Supply Current | $V_{ENABLE} = 0\text{ V};$ All other pins at V_{CC} or GND | | 0.1 | | μA |

START-UP CIRCUITRY

| | | | | | | |
|-------------------------------|--|---|---------------------|-----------|---------------------|---------------|
| V_{pch} (Note 6) | Precharge Voltage | SDA, SCL Floating | 0.8 | 1.1 | 1.2 | V |
| $V_{IH(ENABLE)}$ | High-Level Input Voltage | | $0.7 \times V_{CC}$ | | | V |
| $V_{IL(ENABLE)}$ | Low-Level Input Voltage | | | | $0.3 \times V_{CC}$ | V |
| $I_{I(ENABLE)}$ | Input Current on pin ENABLE | $V_{ENABLE} = 0\text{ V to }V_{CC}$ | | ± 0.1 | ± 1 | μA |
| t_{en} (Note 7) | Enable Time | | | 110 | | μs |
| $t_{idle(READY)}$ (Note 6) | Bus Idle Time to READY Active | | 50 | 105 | 200 | μs |
| $t_{dis(EN-RDY)}$ | Disable Time (ENABLE to READY) | | | 30 | | ns |
| $t_{stp(READY)}$ (Note 8) | SDAIN to READY delay after STOP | | | 1.2 | | μs |
| t_{READY} (Note 8) | SCLOUT/SDAOUT to READY delay | | | 0.8 | | μs |
| $I_{LZ(READY)}$ | Off-State Leakage Current on pin READY | $V_{ENABLE} = V_{CC}$ | | ± 0.3 | | μA |
| $C_{I(ENABLE)}$ (Note 9) | Input Capacitance on pin ENABLE | $V_I = V_{CC}$ or GND | | 1.9 | 4 | pF |
| $C_{O(READY)}$ (Note 9) | Input Capacitance on pin ENABLE | $V_I = V_{CC}$ or GND | | 2.5 | 4 | pF |
| $V_{OL(READY)}$ (Note 6) | Low-Level Output Voltage on pin READY | $V_{ENABLE} = V_{CC}; I_{pu} = 3\text{ mA}$ | | | 0.4 | V |

RISE TIME ACCELERATORS

| | | | | | | |
|---------------------------------|-----------------------------------|---|---|---|--|----|
| $I_{trt(pu)}$ (Notes 10, 11) | Transient Boosted Pull-up Current | Positive transition on SDA, SCL; $V_{CC} = 2.7\text{ V};$ Slew rate = $1.25\text{ V}/\mu\text{s}$ | 1 | 2 | | mA |
|---------------------------------|-----------------------------------|---|---|---|--|----|

INPUT-OUTPUT CONNECTION

| | | | | | | |
|-----------------------------------|-------------------------------|---|---|-----|---------|---------------|
| V_{offset} (Notes 6, 12, 13) | Offset Voltage | $10\text{ k}\Omega$ to V_{CC} on SDA, SCL; $V_{CC} = 3.3\text{ V}$ | 0 | 110 | 175 | mV |
| t_{PLH} | Low to High Propagation Delay | SCL to SCL and SDA to SDA; $10\text{ k}\Omega$ to $V_{CC}; C_L = 100\text{ pF}$ each side | | 0 | | ns |
| t_{PHL} | High to Low Propagation Delay | SCL to SCL and SDA to SDA; $10\text{ k}\Omega$ to $V_{CC}; C_L = 100\text{ pF}$ each side | | 70 | | ns |
| I_{LI} | Input Leakage Current | SDAn, SCLn pins; $V_{CC} = 5.5\text{ V}$ | | | ± 1 | μA |
| $C_{I(SCL/SDA)}$ (Note 9) | SCL and SDA Input Capacitance | | | 5 | 7 | pF |
| V_{OL} (Note 6) | Low-Level Output Voltage | $V_I = 0\text{ V};$ SDAn, SCLn pins; $I_{sink} = 3\text{ mA}, V_{CC} = 2.7\text{ V}$ | | | 0.4 | V |

- This specification applies over the full operating temperature range.
- The enable time can slow considerably for some parts when temperature is $< -20^\circ\text{C}$.
- Delays that can occur after ENABLE and/or idle times have passed.
- Guaranteed by design, not production tested.
- $I_{trt(pu)}$ varies with temperature and V_{CC} voltage, as shown in the "Typical performance characteristics" section.
- Input pull-up voltage should not exceed power supply voltage in operating mode because the rise time accelerator will clamp the voltage to the positive supply rail.
- The connection circuitry always regulates its output to a higher voltage than its input. The magnitude of this offset voltage as a function of the pull-up resistor and V_{CC} voltage is shown in the "Typical performance characteristics" section.
- Force $V_{SDAIN} = V_{SCLIN} = 0.1\text{ V}$, tie SDAOUT and SCLOUT through $10\text{ k}\Omega$ resistor to V_{CC} and measure the SDAOUT and SCLOUT output.

PCA9511A

SYSTEM CHARACTERISTICS $V_{CC} = 2.7\text{ V to }5.5\text{ V}$, unless otherwise specified.

| Symbol | Parameter | Conditions | $T_A = -40^\circ\text{C to }+85^\circ\text{C}$ | | | | Unit |
|---------------------------|--|------------|--|-----|------|------|---------------|
| | | | Min | Max | Min | Max | |
| f_{SCL} (Note 14) | SCL Clock Frequency | | 0 | 400 | 0 | 1000 | kHz |
| t_{BUF} (Note 14) | Bus Free Time Between a STOP and START Condition | | 1.3 | | 0.5 | | μs |
| $t_{HD;STA}$ (Note 14) | Hold Time (Repeated) START Condition | | 0.6 | | 0.26 | | μs |
| $t_{SU;STA}$ (Note 14) | Setup Time for a Repeated START Condition | | 0.6 | | 0.26 | | μs |
| $t_{SU;STO}$ (Note 14) | Setup Time for STOP Condition | | 0.6 | | 0.26 | | μs |
| $t_{HD;DAT}$ (Note 14) | Data Hold Time | | 300 | | 120 | | ns |
| $t_{SU;DAT}$ (Note 14) | Data Setup Time | | 100 | | 50 | | ns |
| t_{LOW} (Note 14) | LOW Period of SCL | | 1.3 | | 0.5 | | μs |
| t_{HIGH} (Note 14) | HIGH Period of SCL | | 0.6 | | 0.26 | | μs |
| t_f (Note 14) | Fall Time of SDA and SCL | | $20 + 0.1 \times C_b$ (Note 15) | 300 | - | 120 | ns |
| t_r (Note 14) | Rise Time of SDA and SCL | | $20 + 0.1 \times C_b$ (Note 15) | 300 | - | 120 | ns |

14. Guaranteed by design, not production tested.

15. C_b = total capacitance of one bus line in pF.

TYPICAL PERFORMANCE CHARACTERISTICS

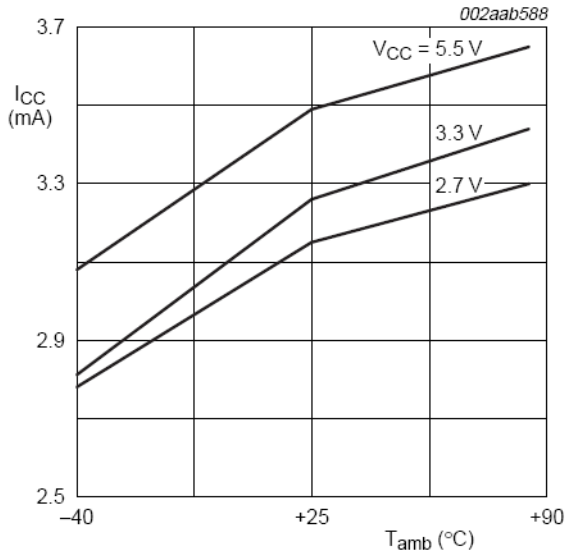


Figure 11. I_{CC} vs. Temperature

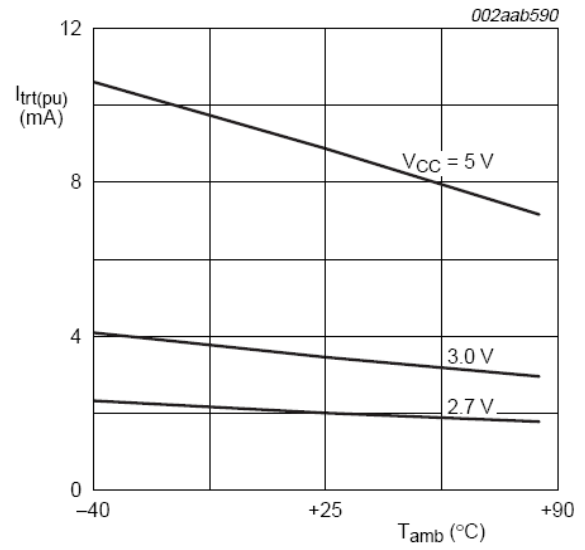
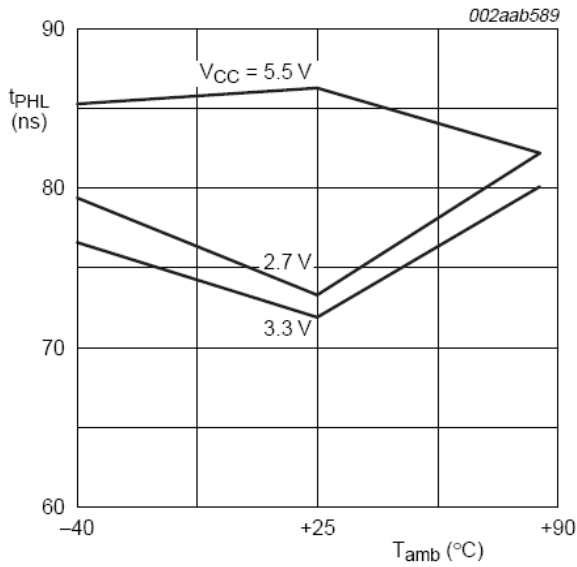


Figure 12. I_{trt(pu)} vs. Temperature



C_i = C_o > 100 pF; R_{PU(in)} = R_{PU(out)} = 10 kΩ

Figure 13. Input/Output t_{PHL} vs. Temperature

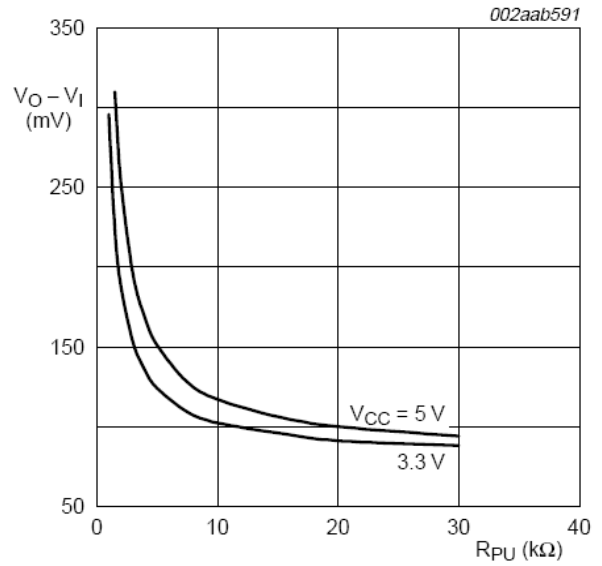


Figure 14. Connection Circuitry V_O - V_I

PCA9511A

TIMING DIAGRAMS

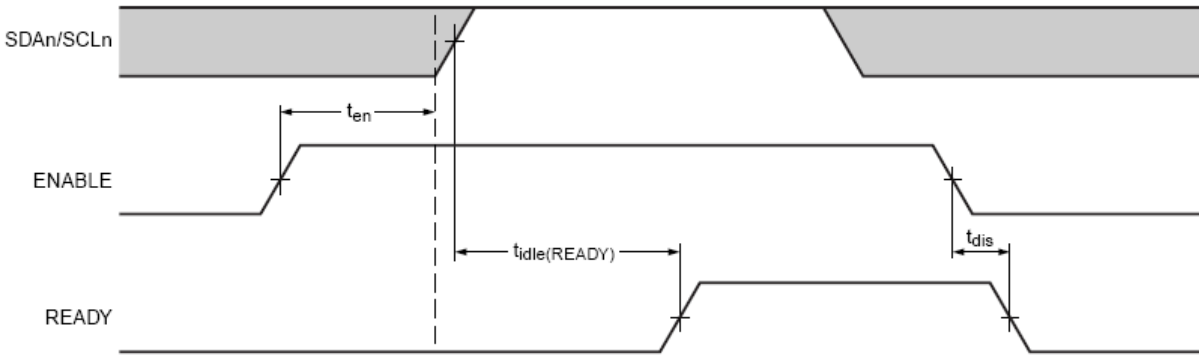
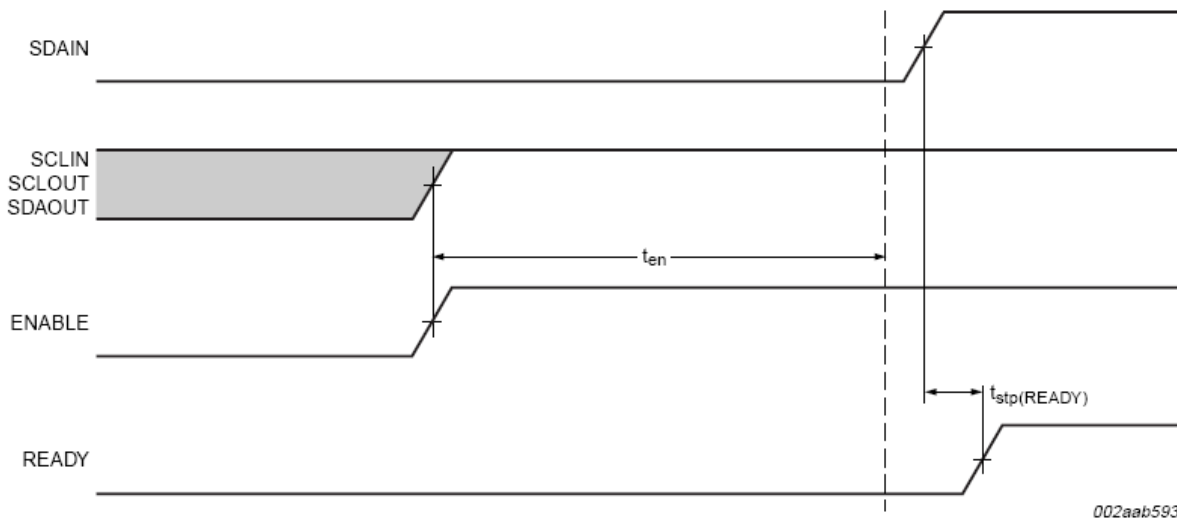


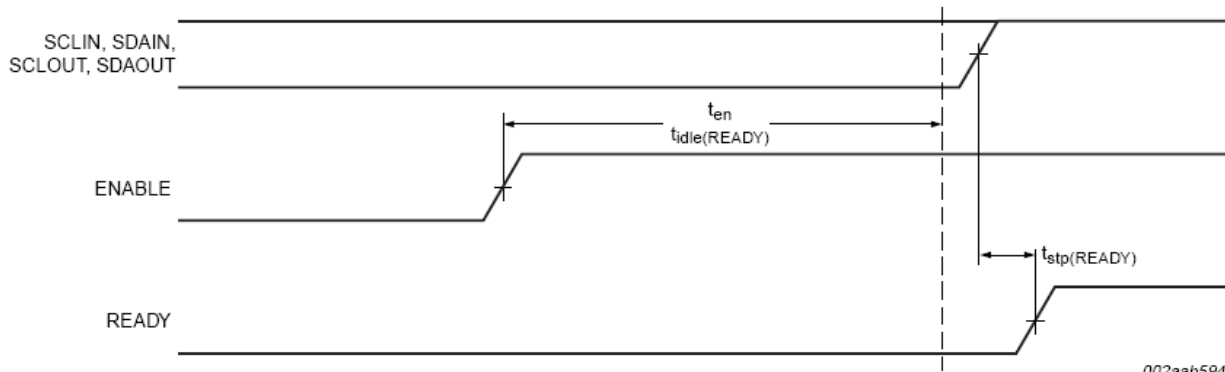
Figure 15. Timing for t_{en} , $t_{idle(READY)}$ and t_{dis}



002aab593

$t_{stp(READY)}$ is only applicable after the t_{en} delay.

Figure 16. $t_{stp(READY)}$ That Can Occur After t_{en}



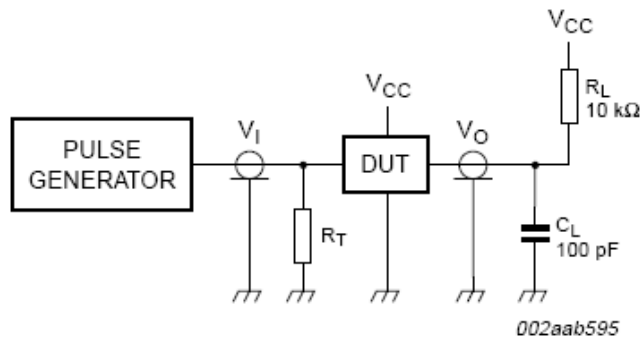
002aab594

$t_{stp(READY)}$ is only applicable after the t_{en} delay.

Figure 17. $t_{stp(READY)}$ Delay that Can Occur After t_{en} and $t_{idle(READY)}$

PCA9511A

TEST SETUP



R_L = load resistor

C_L = load capacitance includes jig and probe capacitance

R_T = termination resistance should be equal to the output impedance Z_0 of the pulse generators.

Figure 18. Test Circuitry for Switching Times

ORDERING INFORMATION

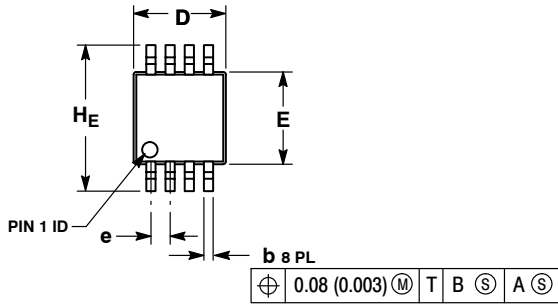
| Device | Package | Shipping |
|--------------------------------|----------------------|--------------------|
| PCA9511ADR2G In Development | SOIC8 (Pb-Free) | 3000 / Tape & Reel |
| PCA9511ADMR2G | Micro-8 (Pb-Free) | 4000 / Tape & Reel |

†For information on tape and reel specifications, including part orientation and tape sizes, please refer to our Tape and Reel Packaging Specifications Brochure, BRD8011/D.

PCA9511A

PACKAGE DIMENSIONS

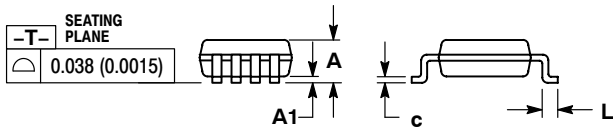
Micro8™
CASE 846A-02
ISSUE J



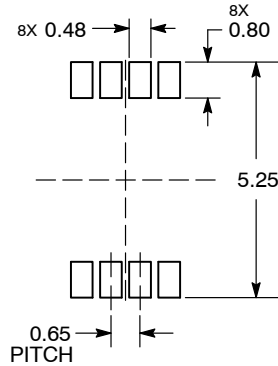
NOTES:

1. DIMENSIONING AND TOLERANCING PER ANSI Y14.5M, 1982.
2. CONTROLLING DIMENSION: MILLIMETER.
3. DIMENSION A DOES NOT INCLUDE MOLD FLASH, PROTRUSIONS OR GATE BURRS. MOLD FLASH, PROTRUSIONS OR GATE BURRS SHALL NOT EXCEED 0.15 (0.006) PER SIDE.
4. DIMENSION B DOES NOT INCLUDE INTERLEAD FLASH OR PROTRUSION. INTERLEAD FLASH OR PROTRUSION SHALL NOT EXCEED 0.25 (0.010) PER SIDE.
5. 846A-01 OBSOLETE, NEW STANDARD 846A-02.

| DIM | MILLIMETERS | | | INCHES | | |
|-----|-------------|------|------|-----------|-------|-------|
| | MIN | NOM | MAX | MIN | NOM | MAX |
| A | -- | -- | 1.10 | -- | -- | 0.043 |
| A1 | 0.05 | 0.08 | 0.15 | 0.002 | 0.003 | 0.006 |
| b | 0.25 | 0.33 | 0.40 | 0.010 | 0.013 | 0.016 |
| c | 0.13 | 0.18 | 0.23 | 0.005 | 0.007 | 0.009 |
| D | 2.90 | 3.00 | 3.10 | 0.114 | 0.118 | 0.122 |
| E | 2.90 | 3.00 | 3.10 | 0.114 | 0.118 | 0.122 |
| e | 0.65 BSC | | | 0.026 BSC | | |
| L | 0.40 | 0.55 | 0.70 | 0.016 | 0.021 | 0.028 |
| HE | 4.75 | 4.90 | 5.05 | 0.187 | 0.193 | 0.199 |



RECOMMENDED SOLDERING FOOTPRINT*



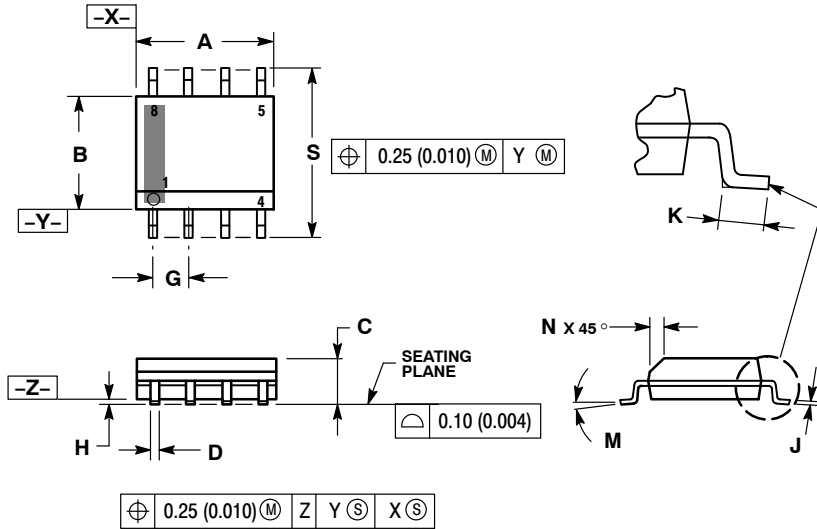
DIMENSION: MILLIMETERS

*For additional information on our Pb-Free strategy and soldering details, please download the ON Semiconductor Soldering and Mounting Techniques Reference Manual, SOLDERRM/D.

PCA9511A

PACKAGE DIMENSIONS

SOIC-8 NB
CASE 751-07
ISSUE AK

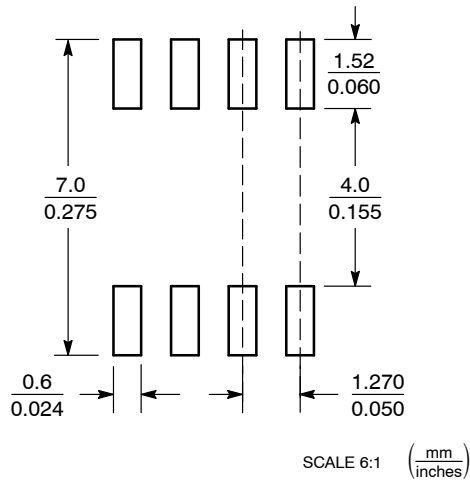


NOTES:

1. DIMENSIONING AND TOLERANCING PER ANSI Y14.5M, 1982.
2. CONTROLLING DIMENSION: MILLIMETER.
3. DIMENSION A AND B DO NOT INCLUDE MOLD PROTRUSION.
4. MAXIMUM MOLD PROTRUSION 0.15 (0.006) PER SIDE.
5. DIMENSION D DOES NOT INCLUDE DAMBAR PROTRUSION. ALLOWABLE DAMBAR PROTRUSION SHALL BE 0.127 (0.005) TOTAL IN EXCESS OF THE D DIMENSION AT MAXIMUM MATERIAL CONDITION.
6. 751-01 THRU 751-06 ARE OBSOLETE. NEW STANDARD IS 751-07.

| DIM | MILLIMETERS | | INCHES | |
|-----|-------------|------|-----------|-------|
| | MIN | MAX | MIN | MAX |
| A | 4.80 | 5.00 | 0.189 | 0.197 |
| B | 3.80 | 4.00 | 0.150 | 0.157 |
| C | 1.35 | 1.75 | 0.053 | 0.069 |
| D | 0.33 | 0.51 | 0.013 | 0.020 |
| G | 1.27 BSC | | 0.050 BSC | |
| H | 0.10 | 0.25 | 0.004 | 0.010 |
| J | 0.19 | 0.25 | 0.007 | 0.010 |
| K | 0.40 | 1.27 | 0.016 | 0.050 |
| M | 0° | 8° | 0° | 8° |
| N | 0.25 | 0.50 | 0.010 | 0.020 |
| S | 5.80 | 6.20 | 0.228 | 0.244 |

SOLDERING FOOTPRINT*



*For additional information on our Pb-Free strategy and soldering details, please download the ON Semiconductor Soldering and Mounting Techniques Reference Manual, SOLDERRM/D.

Micro8 is a trademark of International Rectifier.

ON Semiconductor and are registered trademarks of Semiconductor Components Industries, LLC (SCILLC). SCILLC owns the rights to a number of patents, trademarks, copyrights, trade secrets, and other intellectual property. A listing of SCILLC's product/patent coverage may be accessed at www.onsemi.com/site/pdf/Patent-Marking.pdf. SCILLC reserves the right to make changes without further notice to any products herein. SCILLC makes no warranty, representation or guarantee regarding the suitability of its products for any particular purpose, nor does SCILLC assume any liability arising out of the application or use of any product or circuit, and specifically disclaims any and all liability, including without limitation special, consequential or incidental damages. "Typical" parameters which may be provided in SCILLC data sheets and/or specifications can and do vary in different applications and actual performance may vary over time. All operating parameters, including "Typicals" must be validated for each customer application by customer's technical experts. SCILLC does not convey any license under its patent rights nor the rights of others. SCILLC products are not designed, intended, or authorized for use as components in systems intended for surgical implant into the body, or other applications intended to support or sustain life, or for any other application in which the failure of the SCILLC product could create a situation where personal injury or death may occur. Should Buyer purchase or use SCILLC products for any such unintended or unauthorized application, Buyer shall indemnify and hold SCILLC and its officers, employees, subsidiaries, affiliates, and distributors harmless against all claims, costs, damages, and expenses, and reasonable attorney fees arising out of, directly or indirectly, any claim of personal injury or death associated with such unintended or unauthorized use, even if such claim alleges that SCILLC was negligent regarding the design or manufacture of the part. SCILLC is an Equal Opportunity/Affirmative Action Employer. This literature is subject to all applicable copyright laws and is not for resale in any manner.

PUBLICATION ORDERING INFORMATION

LITERATURE FULFILLMENT:
Literature Distribution Center for ON Semiconductor
P.O. Box 5163, Denver, Colorado 80217 USA
Phone: 303-675-2175 or 800-344-3860 Toll Free USA/Canada
Fax: 303-675-2176 or 800-344-3867 Toll Free USA/Canada
Email: orderlit@onsemi.com

N. American Technical Support: 800-282-9855 Toll Free
USA/Canada
Europe, Middle East and Africa Technical Support:
Phone: 421 33 790 2910
Japan Customer Focus Center
Phone: 81-3-5817-1050

ON Semiconductor Website: www.onsemi.com
Order Literature: <http://www.onsemi.com/orderlit>
For additional information, please contact your local Sales Representative