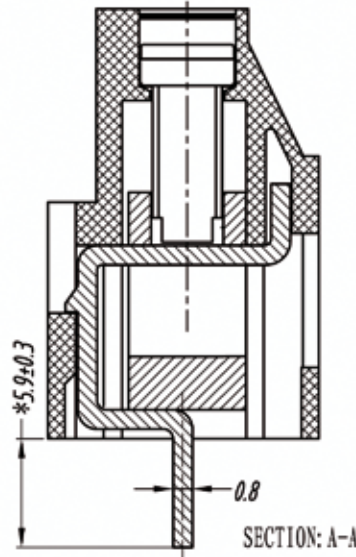
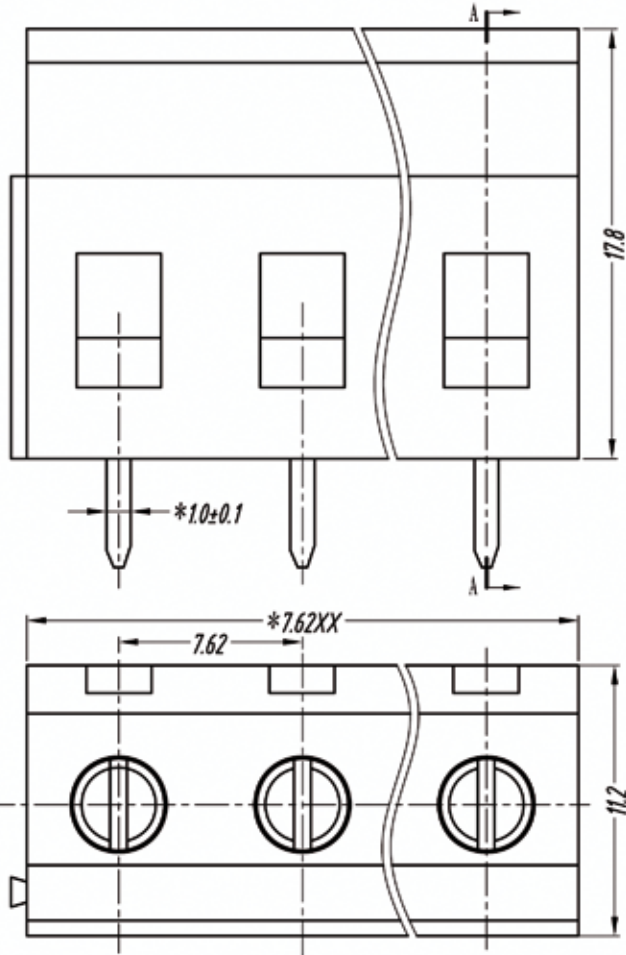
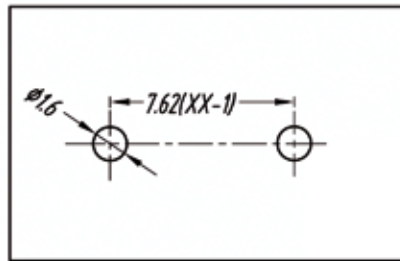


# euro-block

product specification



P. C. B. LAYOUT



## Electrical

Standard: UL-IEC  
 Rated voltage: 300V-450V  
 Rated current: 25A-20A  
 Wire range: 24-12AWG-2.5mm<sup>2</sup>  
 Withstanding voltage: AC2000V/1Min

## Mechanical

Torque: 0.5Nm (4.5Lb'in)  
 Temp.Range: -40°C~+105°C  
 Strip length: 6-7mm

## Dimensions

Pitch: 7.62mm (0.300")  
 Poles: 2p-xxp

## Material

Housing: PA66, UL94V-0  
 Screws: M3, steel, Zinc plated  
 Pin header: Brass, Tin plated  
 Wire guard: Brass, Ni plated

TOLERANCES EXCEPT AS NOTED

variable range	linear dimension				fillet	chamfer	short angle sid			≡	-	□	//	⊥		
	to 6	over 6 to 30	over 30 to 120	over 120 to 480	all	to 6	to 10	to 30'	to 50'						to 120'	to 5
tolerance	±0.1	±0.2	±0.3	±0.5	±0.2	±0.5	±1	1°	30'	20'	10'	0.5	0.025	0.06	0.12	0.4

UNITS	mm	SIZE	A4	SCALE	FIRST ANGLE PROJECTION	
					NAME	MRA52-7.62-V