



Pletronics, Inc.

19013 36th Ave. W, Suite H • Lynnwood, WA 98036 USA

Manufacturer of High Quality Frequency Control Products

SM26S Watch Crystal



- 2 Lead Surface Mount Tuning Fork Watch Crystal
- 2 x 2 x 6mm Axial Lead

32.768 kHz

Standard Specifications

Calibration Frequency Tolerance ± 20 PPM at 25°C std

Operating Temperature Range (OTR) -40 to +85°C

Storage Temperature Range -55 to +85°C

Frequency Stability over OTR

Calculate as: Frequency shift from 25°C to T°C in PPM
= $-0.035 \times (T - 25)^2 \pm 10\%$

Load Capacitance 12.5 pF std, 6 pF available

Equivalent Series Resistance (ESR) 50 k ohm typ, 70 k ohm max

Drive Level 1µW maximum

Aging at 25°C for the 1st year ± 3 PPM maximum

Motional Capacitance 2.1 fF typical

Static Capacitance 0.9 pF typical

Part Numbering Guide

SM26S - 12.5 - 32.768K - XXX (Internal Code or blank)

Model

Frequency in kHz

Load Capacitance

Packaging

16mm tape

4mm pitch

Consult factory for available specifications.

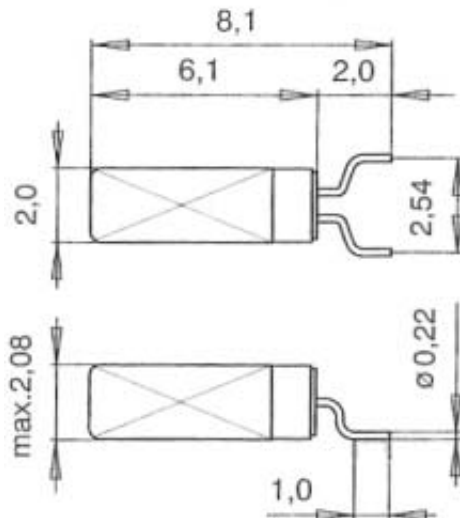
A special part number may be assigned.

Mechanical: mm

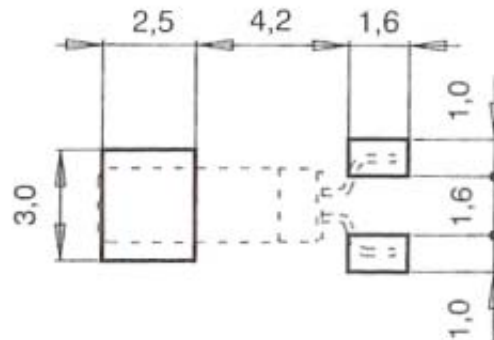
not to scale

Parts are unmarked

Package:



Recommended Solder Pad:



All dimensions in mm typical

Apr 2006