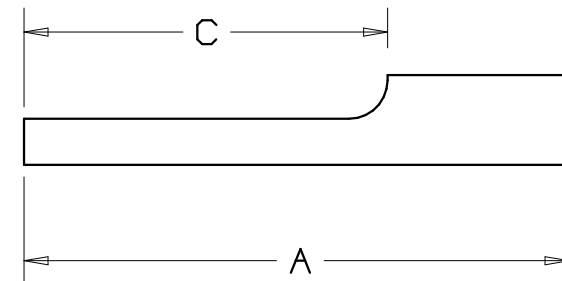
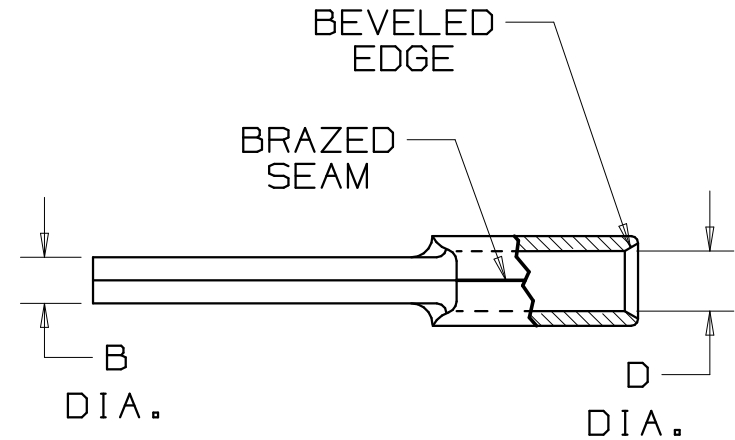


PANDUIT PART #		WIRE SIZE mm ²	DIMENSIONS mm			
PREFIX	PK		A ±0,5	B DIA. ±0,3	C ±0,4	D DIA. ±0,3
PM1-P10	-C -M	0,5-1,0	19,1 (.75)	1,8 (.07)	12,4 (.49)	1,5 (.06)
PM2-P10	-C -M	1,5-2,5	19,1 (.75)	1,8 (.07)	12,4 (.49)	2,0 (.08)
PM6-P10	-L -D	4,0-6,0	20,1 (.79)	2,8 (.11)	14,0 (.55)	3,8 (.15)



NOTES:

- USED FOR:
A. SOLID OR STRANDED COPPER WIRE
- MATERIAL:
A. STAMPING - COPPER, TIN PLATED
- DIMENSIONS IN BRACKETS ARE IN INCHES
- PACKAGE QTY:
A. STD: L=50
 C=100
B. BULK: D=500
 M=1000
- WIRE STRIP LENGTH: $7,14 \begin{smallmatrix} +,8 \\ -0 \end{smallmatrix}$ ($8/32 \begin{smallmatrix} +1/32 \\ -0 \end{smallmatrix}$)
- INSTALLATION TOOLS:
A. PANDUIT APPROVED: CT-100, CT-160,
 CT-200, CT-260, CT-1570

A41445_03

03	05/06	DAW	DAW	REDREW MISSING REV. 02 CAD DRAWING	TR00131				TINLEY PARK, ILLINOIS		
02	12/00	EJS		UPDATED DIMENSIONS AND NOTES							
01	10/97	TM	WJB	CHANGED DECIMAL POINTS TO COMMAS	06435	LA	DBH	NON-INSULATED METRIC PIN TERMINAL			
00	7/90	BK	RS	RELEASED	00004	LA	KS				
REV	DATE	BY	CHK	DESCRIPTION	ECN #	CUST	PM	DRAWN BY BDK	CHK'D RLS	SCALE NONE	DRAWING NO. A41445