

SPECIFICATIONS

Mechanical

Mating Force: 4 Pounds Max.

Unmating Force: 4 Pounds Max.

Durability: 1000 Cycles

Electrical

Current Rating: 1.5 A Max.

Voltage Rating: 150 VAC

Dielectric Withstanding Voltage: 1000V Contact To Contact

Physical

Housing: Thermoplastic, UL 94V-0 Rated In Black Color

Contact: Copper Alloy

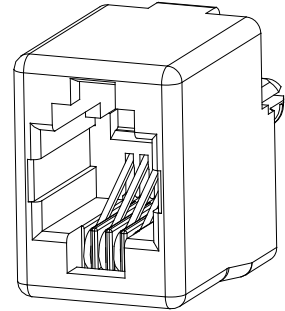
Operating Temperature: 0°C To +70°C

JM Series

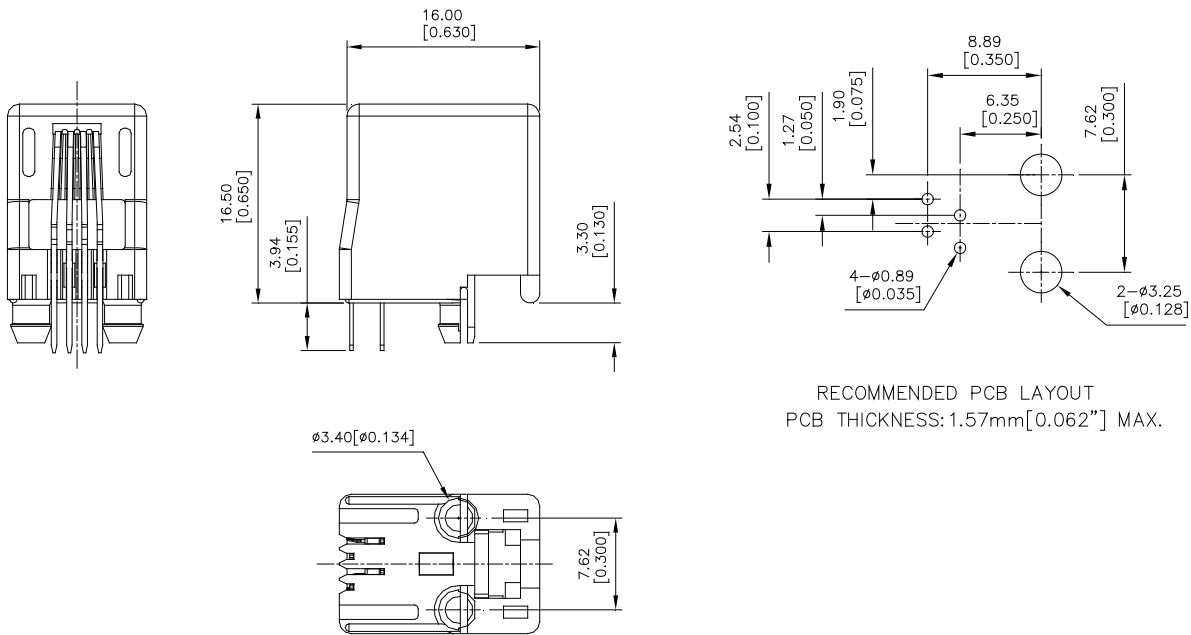
RJ9 T/H CONNECTOR

VERTICAL ALL PLASTIC

1.27mm [.050"] Pitch



DRAWING



ORDERING INFORMATION

PRODUCT NO.: JM 0 0 5 1 5 - K003 - 4 F

- F = LEAD FREE
- 4 = SOFT TRAY
- EXTENSION DODE
- K003=BLACK (MATTE TIN)
- GOLD PLATING THICKNESS
- 5 = 50u"
- NO. OF PORT
- 1 = SINGLE PORT
- POSITION TYPE
- 5 = 4P4C
- DESIGN TYPE
- 0 = W/O STOPPER W/ PLASTIC POST
- BODY & TERMINATION
- 0 = S/T, ALL PLASTIC, T/H
- SERIES PREFIX
- JM = MODULE JACK