

2mm SMT I/O Connector (CN 045 / 069 Series)

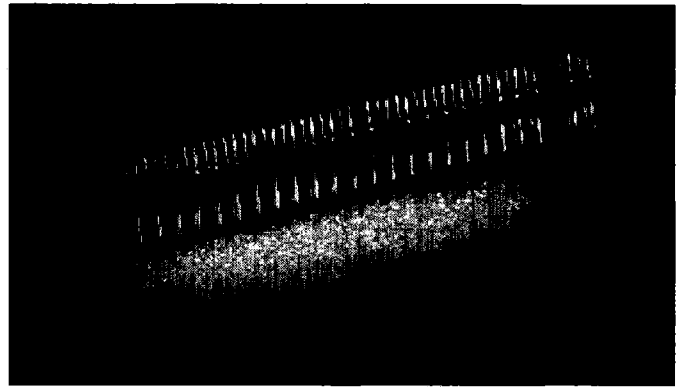
Augat's right angle, single sided surface mount headers on 2mm spacing achieves the lowest above board profile for the HDD industry. Designed as the I/O connector for the 2.5" drives, several different height versions are available. All pins can be selectively loaded to meet IDE, or SCSI applications.

Features:

- Single row SMT contacts
- High temperature plastics
- Selectively loaded pins available

Benefits:

- Process reduction over straddle mount versions
- Compatible with vapor phase and IR soldering
- Meet IDE and SCSI requirements

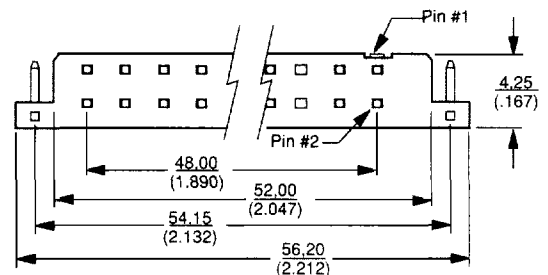
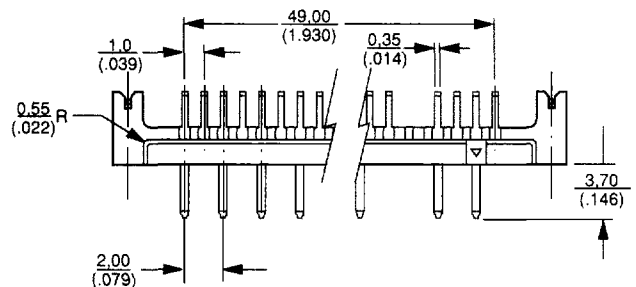
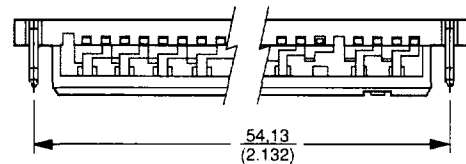
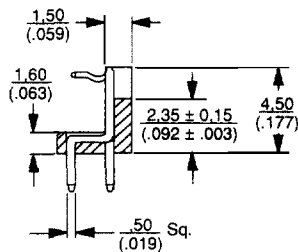
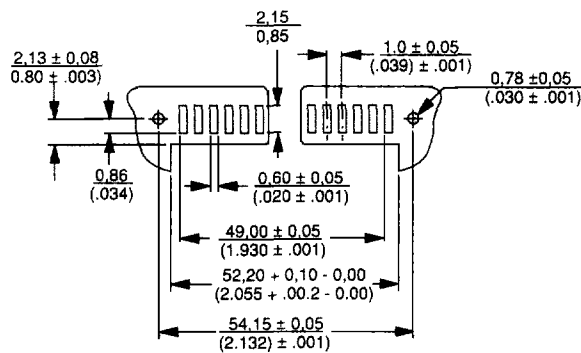


2mm SMT I/O Connector

Part Number Cross Reference

Part No.	Pin Position Omitted
CN-AX045WAA47	5, 6 and 26
CN-AX069WAA47	9, 10 and 27

*Consult factory for other options

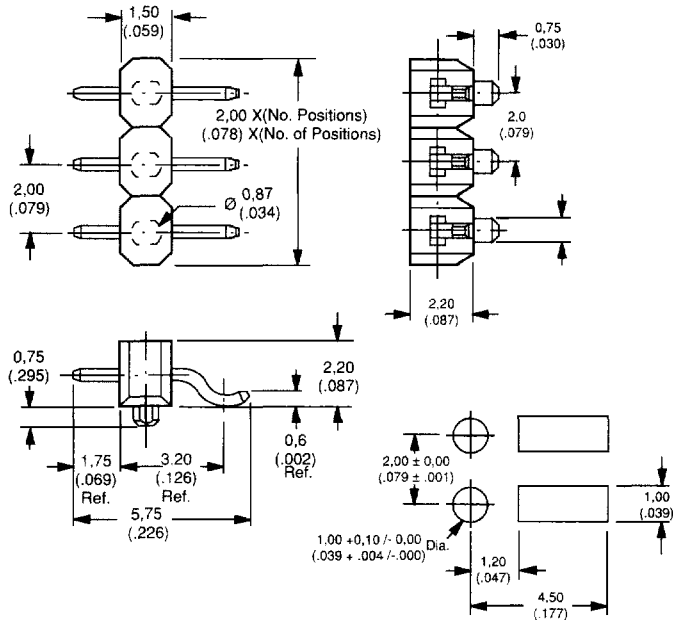


2mm Right Angle SMT Headers (CN 035 Series)

The 2mm R/A SMT headers achieve maximum board utilization, combining ultra low profile and SMT to board application. Total height is .087" maximum. Available in 2 through 30 positions. Lowest profile design to use in standard header and shunt applications.



2mm Right Angle SMT Headers



Part Number Cross Reference

Part No. (Example CN-AX035A8A02)

C N - A X 0 3 5 A 8 A x x

No. of positions 02 - 30

.050" DIP Switch (MGDH Series)

World's lowest profile user friendly programming device. Replaces the 2mm header and shunt combination in extremely low profile applications. Package consists of standard .050" surface mount spacing with a maximum .067" height profile. Fully tested to HDD industry shock and vibration component requirements.

FEATURES:

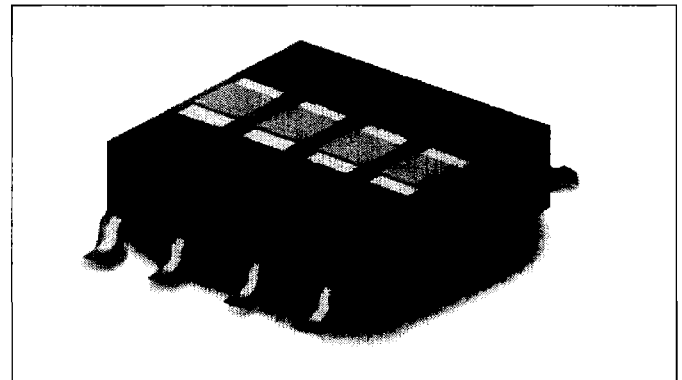
- .067" Maximum height profile
- Gold to gold contact system
- Tape and reel packaging

BENEFITS:

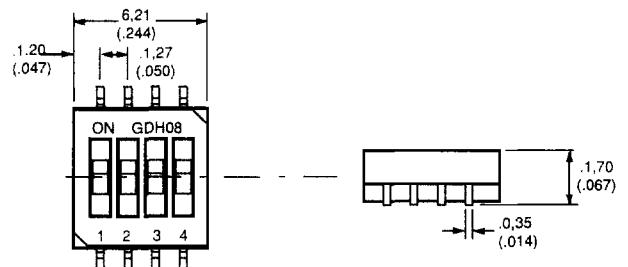
- Lowest profile programmable device
- High Reliability
- Reduced production costs

Performance Characteristics MGDH

Contact Rating 0.4VA max. at 20 VDC
 Initial Contact Resistance 100 milliohms maximum
 Operating Temperature -30° C to +85° C



GDH-91376F



AUGAT[®]
 Quality and Innovation
 Interconnection Products Division

AUGAT INC., INTERCONNECTION PRODUCTS DIVISION
 452 John Dietsch Blvd., Attleboro Falls, MA 02763 USA
 (508) 699-9800 FAX: (508) 699-6717