

MICRO SWITCH

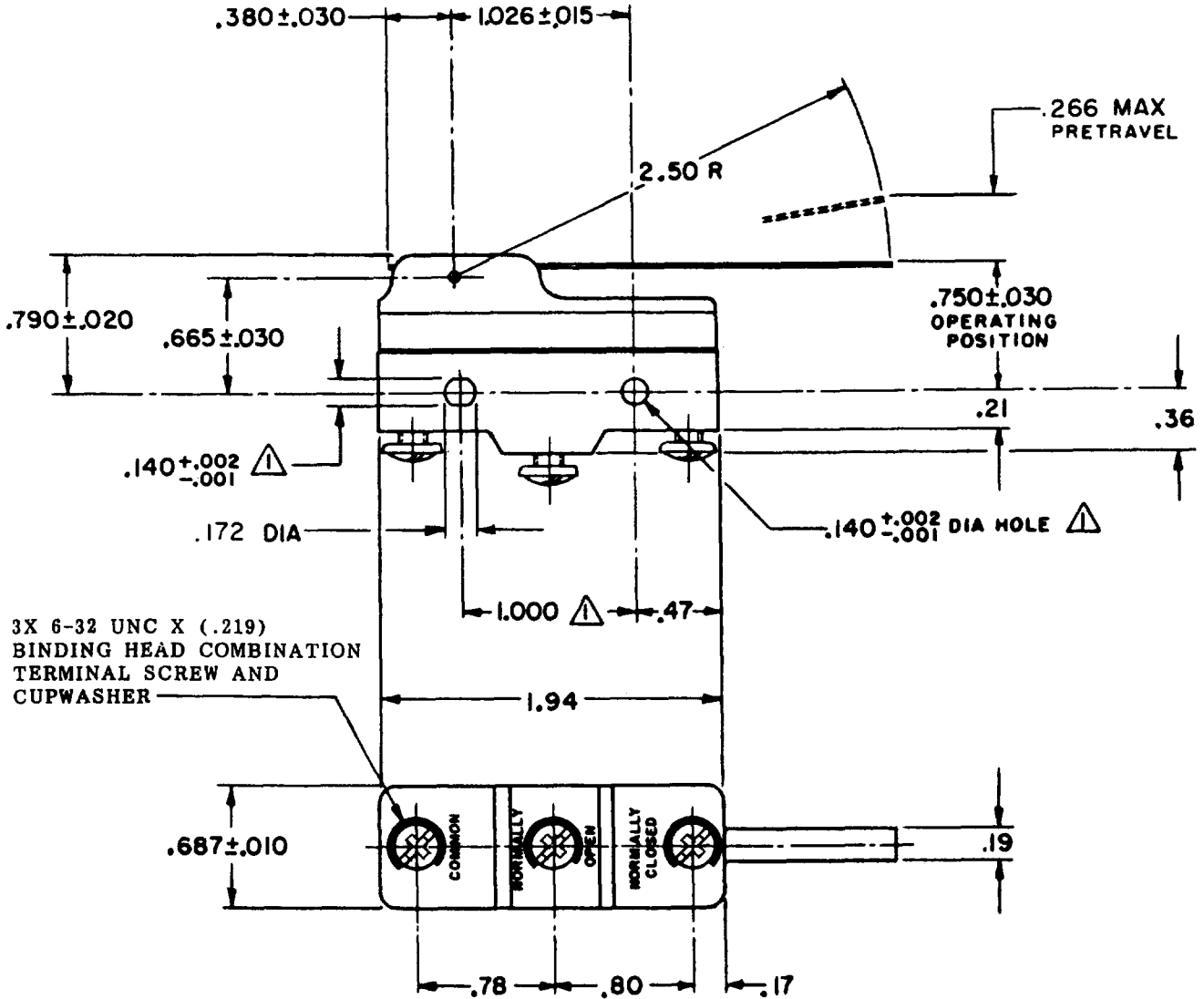
A DIVISION OF MINNEAPOLIS-HONEYWELL REGULATOR COMPANY
MINNEAPOLIS, MINNESOTA

FED. MFR. CODE 91929

SWITCH - BASIC

CATALOG LISTING




BZ-RW84-A2



NOTE -
 ▲ MOUNTING HOLES WILL ACCEPT PINS OR SCREWS OF .139 MAX DIA ON 1.000 ±.002 CENTERS

CATALOG LISTING
BZ-RW84-A2
 PAGE 1 OF 1
M
 ISSUE 11
 REVISIONS
 A CO 16736 S C H 27 APRIL 62
 B CO 23645 M B F 23 JAN 68
 C CO-73287-J J A L 22 NOV 93
 D CO-77589 J A L 30 MAR 94
 E 203155 C S L 24 MAY 01
 RASTER
 0-30378
 G C H 27 APRIL 62
 CHECK DAW 29 MAY 62
 CHECK
 RELEASE NO.
 REPLACES

THIS DRAWING COVERS A PROPRIETARY ITEM AND IS THE PROPERTY OF MICRO SWITCH, A DIVISION OF MINNEAPOLIS-HONEYWELL REGULATOR CO. THIS DRAWING IS NOT TO BE COPIED OR USED WITHOUT THE APPROVAL OF MICRO SWITCH.

CHARACTERISTICS	ELECTRICAL DATA	SCALE FULL
OPERATING FORCE----- 3/4 OZ MAX	CONTACT ARRANGEMENT S P D T	DO NOT SCALE PRINT
RELEASE FORCE----- 1/8 OZ MIN	L103 15A 125, <u>250</u> OR 480 VAC 1/8HP 125 VAC, 1/4HP <u>250</u> VAC	UNLESS OTHERWISE SPECIFIED DIMENSIONS ARE IN INCHES TOLERANCES ARE:
DIFFERENTIAL TRAVEL----- .003-.015	L288 L299 L306	ONE PLACE (.0) ±.030 TWO PLACE (.00) ±.015 THREE PLACE (.000) ±.005 ANGLES ±
OVERTRAVEL----- .219 MIN	CE    16A 250V ~ T85 5E4	WEIGHT .073 LB

MICRO SWITCH

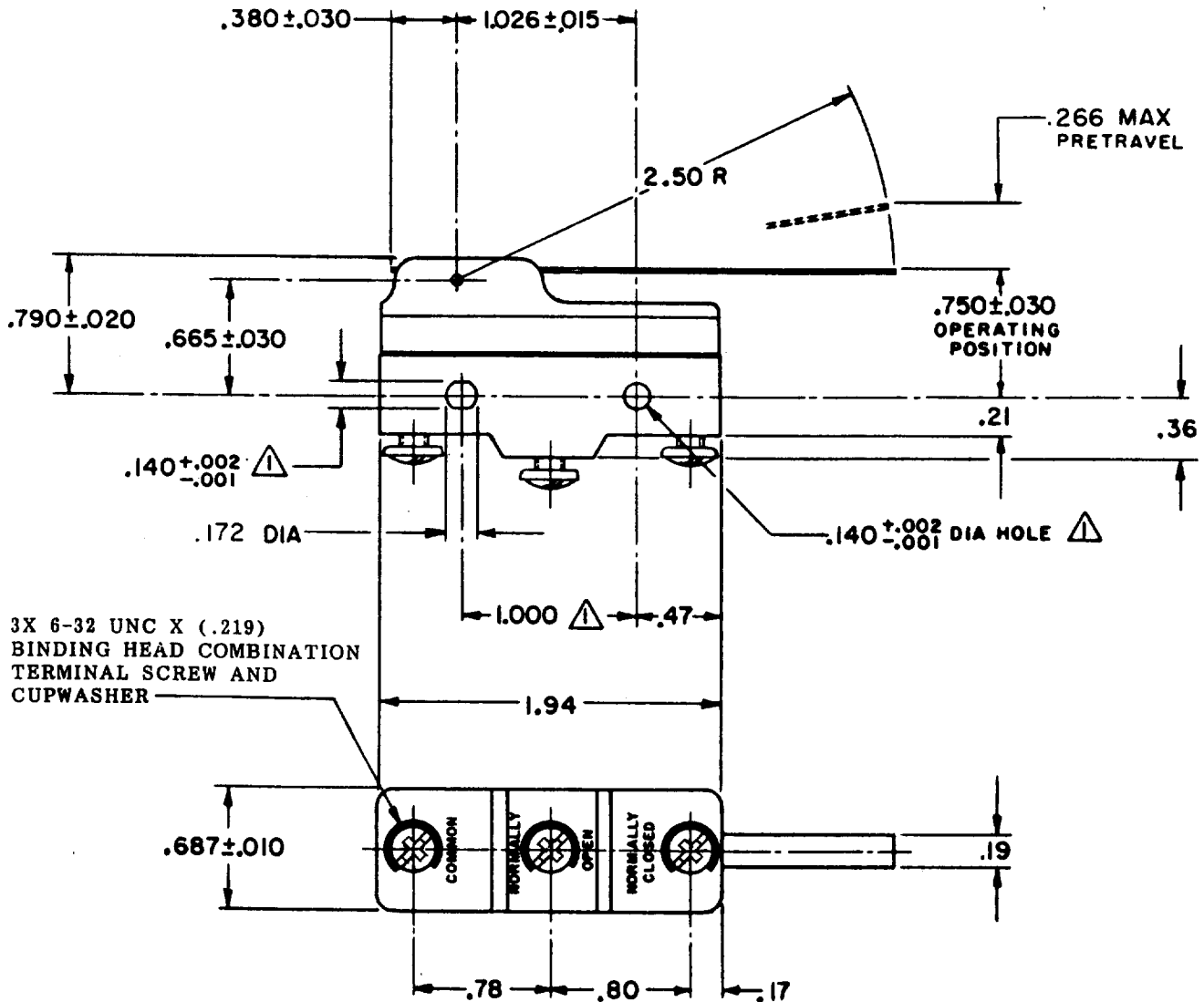
A DIVISION OF MINNEAPOLIS-HONEYWELL REGULATOR COMPANY
MINNEAPOLIS, MINNESOTA

FED. MFR. CODE 91929

SWITCH - BASIC

CATALOG LISTING

BZ-RW84-A2



NOTE -
 - MOUNTING HOLES WILL ACCEPT PINS OR SCREWS OF .139 MAX DIA ON $1.000 \pm .002$ CENTERS

THIS DRAWING COVERS A PROPRIETARY ITEM AND IS THE PROPERTY OF MICRO SWITCH, A DIVISION OF MINNEAPOLIS-HONEYWELL REGULATOR CO. THIS DRAWING IS NOT TO BE COPIED OR USED WITHOUT THE APPROVAL OF MICRO SWITCH.

CHARACTERISTICS

OPERATING FORCE----- 3/4 OZ MAX
 RELEASE FORCE----- 1/8 OZ MIN
 DIFFERENTIAL TRAVEL ----- .003-.015
 OVERTRAVEL ----- .219 MIN

ELECTRICAL DATA

CONTACT ARRANGEMENT
 S P D T

UNDERWRITERS' LAB. INC. LISTED RATING
 -L103- 15 A-125, 250 OR 480 VAC
 1/8 HP-125 VAC; 1/4 HP-250 VAC



SCALE FULL

DO NOT SCALE PRINT

UNLESS OTHERWISE SPECIFIED
 DIMENSIONS ARE IN INCHES
TOLERANCES ARE:
 ONE PLACE (.0) $\pm .030$
 TWO PLACE (.00) $\pm .015$
 THREE PLACE (.000) $\pm .008$
 ANGLES \pm

WEIGHT .073 LB

M BZ-RW84-A2

DRAWING NUMBER

B

X

ISSUE

10

REPLACES

RELEASE NO.

CHECK

CHECK

29 MAY 62

DAW

CHECK

27 APRIL 62

GCH

DRAWN

O-80378