



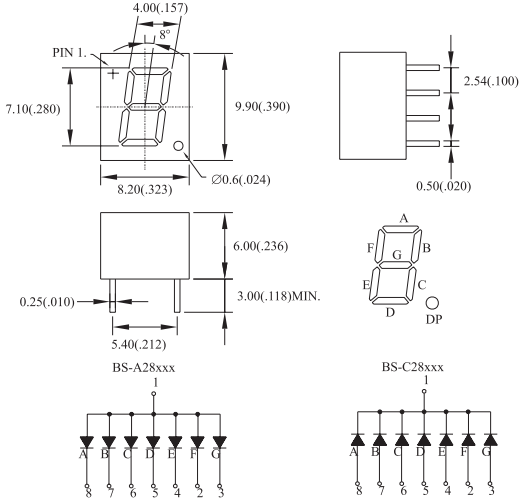
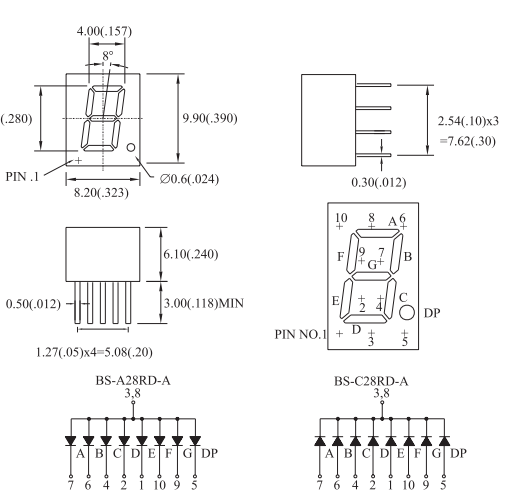
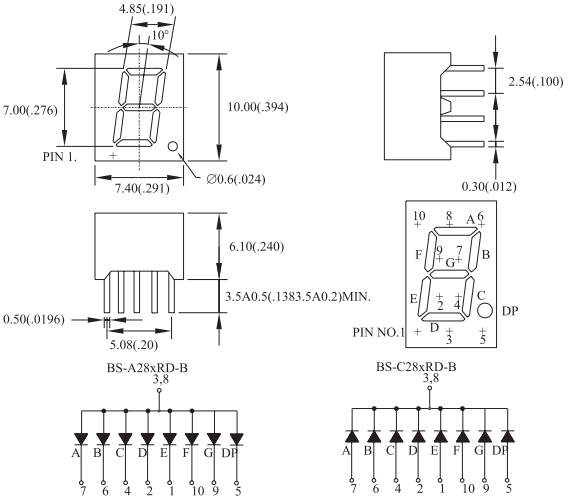
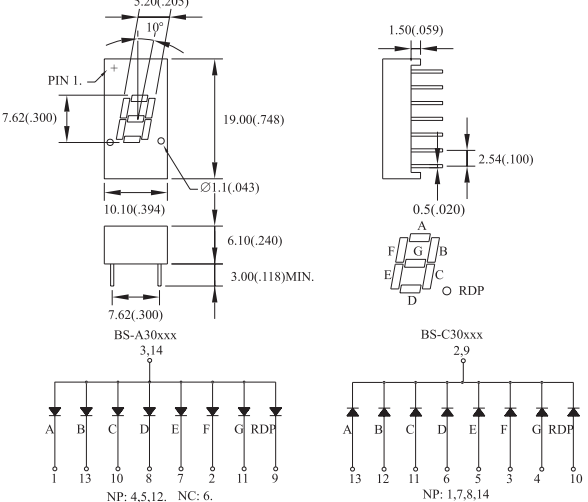
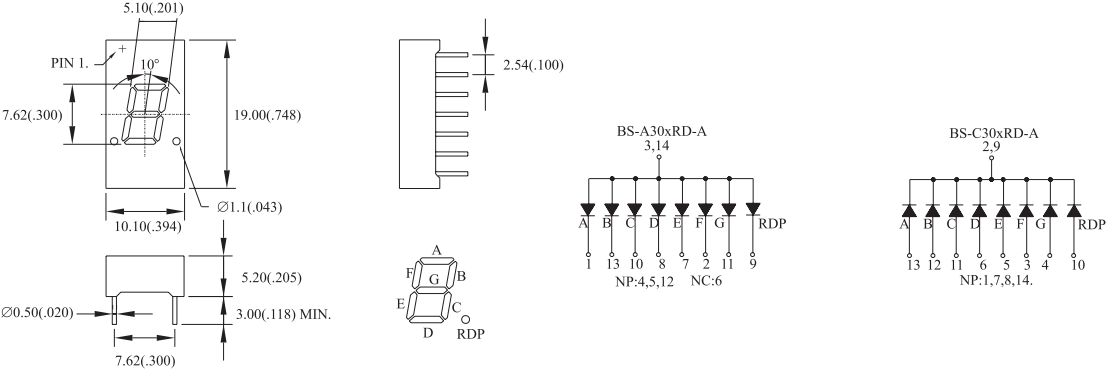
Single Digit LED Displays 7-Segment, ± 1 Overflow

Digit Size	Part No.		Chip		Absolute Maximum Ratings				Electro-optical Data(At 10mA)			Drawing No.
	Common Anode	Common Cathode	Material/Emitted Color	Peak Wave Length λ_p (nm)	$\Delta \lambda$ (nm)	Pd (mw)	If (mA)	Ifp (mA)	Vf (v)		Iv. Typ. Per.Seg. (mcd)	
									Typ.	Max.		
0.28" Single Digit	BS-A281ND	BS-C281ND	GaAsP/Red	655	40	80	40	200	1.7	2.0	0.6	SD-01
	BS-A285ND	BS-C285ND	GaP/ Bright Red	700	90	40	15	50	2.2	2.5	1.2	
	BS-A285NE	BS-C285NE										
	BS-A282ND	BS-C282ND	GaP/ Green	568	30	80	30	150	2.2	2.5	2.8	
	BS-A283ND	BS-C283ND	GaAsP/GaP/ Yellow	585	35	80	30	150	2.1	2.5	2.2	
	BS-A284ND	BS-C284ND	GaAsP/GaP/ Hi-Eff.Red	635	45	80	30	150	2.0	2.5	2.8	
			GaAsP/GaP/ Orange									
	BS-A286ND	BS-C286ND	GaAlAs/ SH Super Red	660	20	80	30	150	1.7	2.5	5.0	
	BS-A28DND	BS-C28DND	GaAlAs/ DH Super Red	660	20	80	30	150	1.7	2.5	6.0	
	BS-A281RD-A	BS-C281RD-A	GaAsP/Red	655	40	80	40	200	1.7	2.0	0.6	SD-02
	BS-A285RD-A	BS-C285RD-A	GaP/ Bright Red	700	90	40	15	50	2.2	2.5	1.2	
	BS-A285RE-A	BS-C285RE-A										
	BS-A282RD-A	BS-C282RD-A	GaP/ Green	568	30	80	30	150	2.2	2.5	2.8	
	BS-A283RD-A	BS-C283RD-A	GaAsP/GaP/ Yellow	585	35	80	30	150	2.1	2.5	2.2	
	BS-A284RD-A	BS-C284RD-A	GaAsP/GaP/ Hi-Eff.Red	635	45	80	30	150	2.0	2.5	2.8	
			GaAsP/GaP/ Orange									
	BS-A286RD-A	BS-C286RD-A	GaAlAs/ SH Super Red	660	20	80	30	150	1.7	2.5	5.0	
	BS-A28DRD-A	BS-C28DRD-A	GaAlAs/ DH Super Red	660	20	80	30	150	1.7	2.5	6.0	
	BS-A281RD-B	BS-C281RD-B	GaAsP/Red	655	40	80	40	200	1.7	2.0	0.6	SD-03
	BS-A285RD-B	BS-C285RD-B	GaP/ Bright Red	700	90	40	15	50	2.2	2.5	1.2	
	BS-A285RE-B	BS-C285RE-B										
	BS-A282RD-B	BS-C282RD-B	GaP/ Green	568	30	80	30	150	2.2	2.5	2.8	
	BS-A283RD-B	BS-C283RD-B	GaAsP/GaP/ Yellow	585	35	80	30	150	2.1	2.5	2.2	
	BS-A284RD-B	BS-C284RD-B	GaAsP/GaP/ Hi-Eff.Red	635	45	80	30	150	2.0	2.5	2.8	
GaAsP/GaP/ Orange												
BS-A286RD-B	BS-C286RD-B	GaAlAs/ SH Super Red	660	20	80	30	150	1.7	2.5	5.0		
BS-A28DRD-B	BS-C28DRD-B	GaAlAs/ DH Super Red	660	20	80	30	150	1.7	2.5	6.0		
BS-A301RD	BS-C301RD	GaAsP/Red	655	40	80	40	200	1.7	2.0	0.6	SD-04	
BS-A305RD	BS-C305RD	GaP/ Bright Red	700	90	40	15	50	2.2	2.5	1.2		
BS-A305RE	BS-C305RE											
BS-A302RD	BS-C302RD	GaP/ Green	568	30	80	30	150	2.2	2.5	3.0		
BS-A303RD	BS-C303RD	GaAsP/GaP/ Yellow	585	35	80	30	150	2.1	2.5	2.0		
BS-A304RD	BS-C304RD	GaAsP/GaP/ Hi-Eff.Red	635	45	80	30	150	2.0	2.5	3.0		
		GaAsP/GaP/ Orange										
BS-A306RD	BS-C306RD	GaAlAs/ SH Super Red	660	20	80	30	150	1.7	2.5	6.0		
BS-A30DRD	BS-C30DRD	GaAlAs/ DH Super Red	660	20	80	30	150	1.7	2.5	7.0		
BS-A301RD-A	BS-C301RD-A	GaAsP/Red	655	40	80	40	200	1.7	2.0	0.6	SD-05	
BS-A305RD-A	BS-C305RD-A	GaP/ Bright Red	700	90	40	15	50	2.2	2.5	1.2		
BS-A305RE-A	BS-C305RE-A											
BS-A302RD-A	BS-C302RD-A	GaP/ Green	568	30	80	30	150	2.2	2.5	3.0		
BS-A303RD-A	BS-C303RD-A	GaAsP/GaP/ Yellow	585	35	80	30	150	2.1	2.5	2.0		
BS-A304RD-A	BS-C304RD-A	GaAsP/GaP/ Hi-Eff.Red	635	45	80	30	150	2.0	2.5	3.0		
		GaAsP/GaP/ Orange										
BS-A306RD-A	BS-C306RD-A	GaAlAs/ SH Super Red	660	20	80	30	150	1.7	2.5	6.0		
BS-A30DRD-A	BS-C30DRD-A	GaAlAs/ DH Super Red	660	20	80	30	150	1.7	2.5	7.0		

*SD-06 is skipped.



Single Digit LED Displays 7-Segment, ± 1 Overflow

SD-01 BS- $\overset{A}{C}$ 28xND	SD-02 BS- $\overset{A}{C}$ 28RD-A
 <p>SD-01 dimensions: 4.00(.157) top width, 8.20(.323) bottom width, 7.10(.280) height to top of display, 9.90(.390) total height, 0.50(.020) pin pitch, 2.54(.100) pin height, 0.25(.010) pin offset, 5.40(.212) pin length, 6.00(.236) display height, 3.00(.118)MIN. pin length. Pin 1 is marked with a '+'.</p> <p>Diagrams show top view with segments A-G and DP, and pin configurations for BS-A28xxx and BS-C28xxx.</p>	 <p>SD-02 dimensions: 4.00(.157) top width, 8.20(.323) bottom width, 7.10(.280) height to top of display, 9.90(.390) total height, 0.50(.012) pin pitch, 2.54(.100)x3 = 7.62(.30) pin height, 0.30(.012) pin offset, 6.10(.240) display height, 3.00(.118)MIN. pin length, 1.27(.05)x4 = 5.08(.20) pin length.</p> <p>Diagrams show top view with segments A-G and DP, and pin configurations for BS-A28RD-A and BS-C28RD-A.</p>
SD-03 BS- $\overset{A}{C}$ 28xRD-B	SD-04 BS- $\overset{A}{C}$ 30xRD
 <p>SD-03 dimensions: 4.85(.191) top width, 7.40(.291) bottom width, 7.00(.276) height to top of display, 10.00(.394) total height, 0.50(.0196) pin pitch, 2.54(.100) pin height, 6.10(.240) display height, 3.5A0.5(.1383.5A0.2)MIN. pin length, 5.08(.20) pin length.</p> <p>Diagrams show top view with segments A-G and DP, and pin configurations for BS-A28xRD-B and BS-C28xRD-B.</p>	 <p>SD-04 dimensions: 5.20(.205) top width, 10.10(.394) bottom width, 7.62(.300) height to top of display, 19.00(.748) total height, 0.50(.020) pin pitch, 2.54(.100) pin height, 6.10(.240) display height, 3.00(.118)MIN. pin length, 7.62(.300) pin length.</p> <p>Diagrams show top view with segments A-G and RDP, and pin configurations for BS-A30xxx and BS-C30xxx.</p>
SD-05 BS- $\overset{A}{C}$ 30xRD-A	
 <p>SD-05 dimensions: 5.10(.201) top width, 10.10(.394) bottom width, 7.62(.300) height to top of display, 19.00(.748) total height, 0.50(.020) pin pitch, 2.54(.100) pin height, 5.20(.205) display height, 3.00(.118)MIN. pin length.</p> <p>Diagrams show top view with segments A-G and RDP, and pin configurations for BS-A30xRD-A and BS-C30xRD-A.</p>	

NOTES: 1.ALL Dimensions are in millimeters(inches).

3.Specifications are subject to change without notice.

2.Tolerance is±0.25mm(.010")

4.NP:No Pin. 5.NC:No Connect

*SD-06 is skipped.

AMERICAN BRIGHT

www.americanbrightled.com

(909) 628-5050 FAX (909) 628-5006 • © 2003 American Bright Optoelectronics Corporation. Specifications subject to change without notice.

DSP-05