

PRODUCT NUMBER
76745-XXX-XXLF

WHEN REQUIRED, ADD SUFFIX LETTER "LF"
INDICATES THE PRODUCT IS ROHS
COMPATIBLE; SEE NOTE 6
TOTAL NB OF POS (04 TO 72 POS)
OPTION LETTER, SEE NOTE 6

PLATING

1 = 0.76µm GOLD/GXT,
OVER 1.27µm Ni MIN

8 = 0.38µm GOLD/GXT
OVER 1.27µm Ni MIN

3 = 3.81µm TIN/LEAD
OVER 1.27µm Ni MIN

- WHEN "LF" IS REQUIRED, 2µm MATTE
TIN OVER 1.27µm MIN NICKEL IS
PROVIDED INSTEAD OF TIN-LEAD

NOTES:

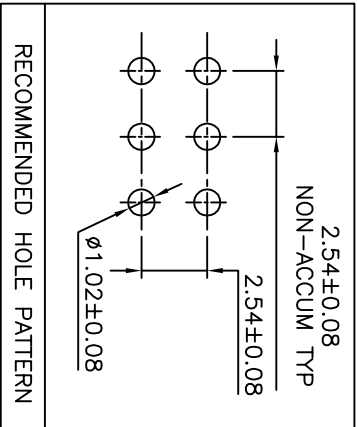
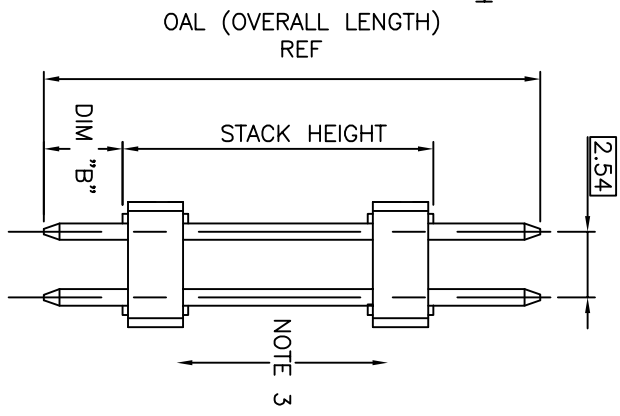
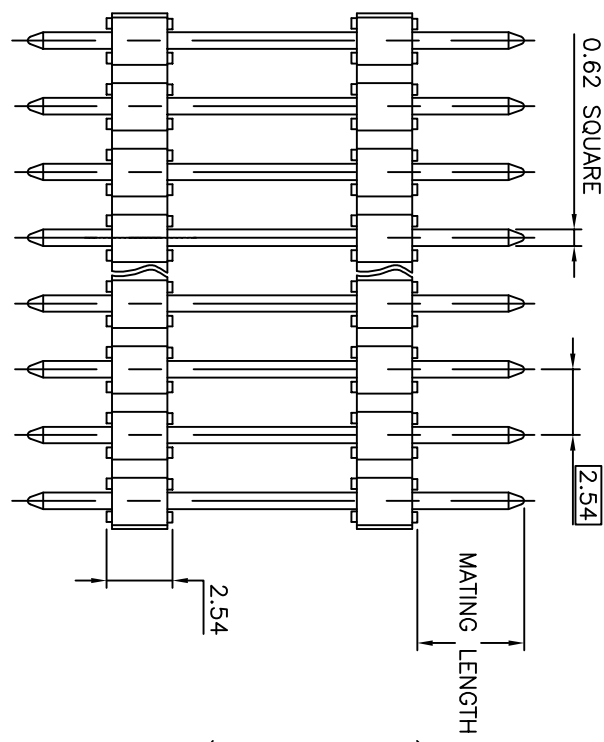
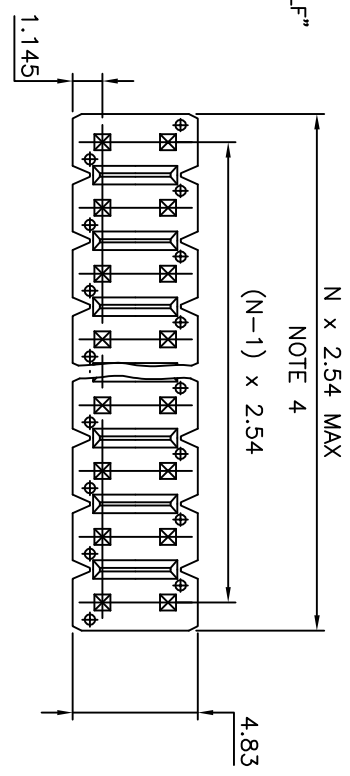
1. HOUSING MAT'L : HIGH TEMPERATURE THERMOPLASTIC. UL94V-0 COLOR: BLACK.
2. PIN MATERIAL : PHOSPHOR BRONZE.
3. 12N MIN RETENTION IN EITHER DIRECTION.
4. TO DETERMINE DIMENSIONS :
N = NUMBER OF POSITIONS PER ROW
EXAMPLE : 8 POS PER ROW, N x 2.54 = 20.32mm
5. FOR STANDARD SELECTIVE GOLD PLATED PRODUCTS
SEE DRAWINGS 54111 & 54121.
6. OPTION LETTER :
- = STANDARD POLYBAGS PACKAGING
V = POLYBAGS PACKAGING FOR VALVO
7. ROHS COMPATIBLE PRODUCT SPECIFICATIONS

d - PLATING:

- "LF" MEANS THE PRODUCT IS LEAD-FREE,
2µm MINIMUM MATTE TIN OVER 1.27µm
MINIMUM NICKEL UNDERPLATE.

b - MANUFACTURING PROCESS COMPATIBILITY
- THE HOUSING WILL WITHSTAND EXPOSURE TO
260°C ±5°C SOLDER BATH TEMPERATURE FOR
WITH A 1.6mm MIN THICK CIRCUIT BOARD.

c - LABELING:
- MEETS PACKAGING SPECS AS PER GS-14-920
d - LEGAL STATEMENT: SEE GS-47-0004



D

C

B

A

| | | | | | | | | | |
|-------------|----------|----------|----------|---------------------------------------|--------|------------|----------|-------------------|--|
| mat'l. code | | surface | | tolerance | | projection | | product family | |
| SEE NOTES | | ISO 1302 | | ISO 406 ISO 1101 | | mm | | BSTIK | |
| ltr | ecm no | dr | date | tolerances unless otherwise specified | angles | linear | xxx ±0.3 | title | |
| EX | F11-0045 | LMU | 11.04.05 | | | xxx ±0.13 | | HEADER STR, DR | |
| EY | F12-0023 | LMU | 12.06.06 | | | xxx ±0.05 | | DOUBLE BODY | |
| FA | F12-0090 | JFA | 12.12.07 | | | xxx ±0.05 | | sheet 1 of 3 size | |
| | | dr | NIZZI P | engr/COMPAGNON J95.12.05 | | scale | 5:1 | A3 | |
| EV F10-0221 | | LMU | 10.09.08 | thr | | | | Drawing | |
| EW F10-0258 | | LMU | 10.12.19 | appd | JMC | | | CUSTOMER | |
| sheet | revision | FA | BX | E | | | | 76745 | |
| index | sheet | 1 | 2 | 3 | | | | A3 | |

D

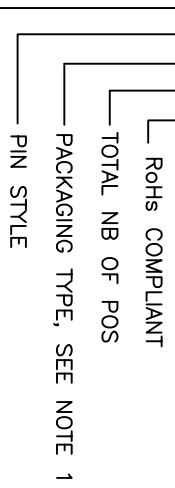
C

B

A

SPECIFIC PRODUCT NUMBER

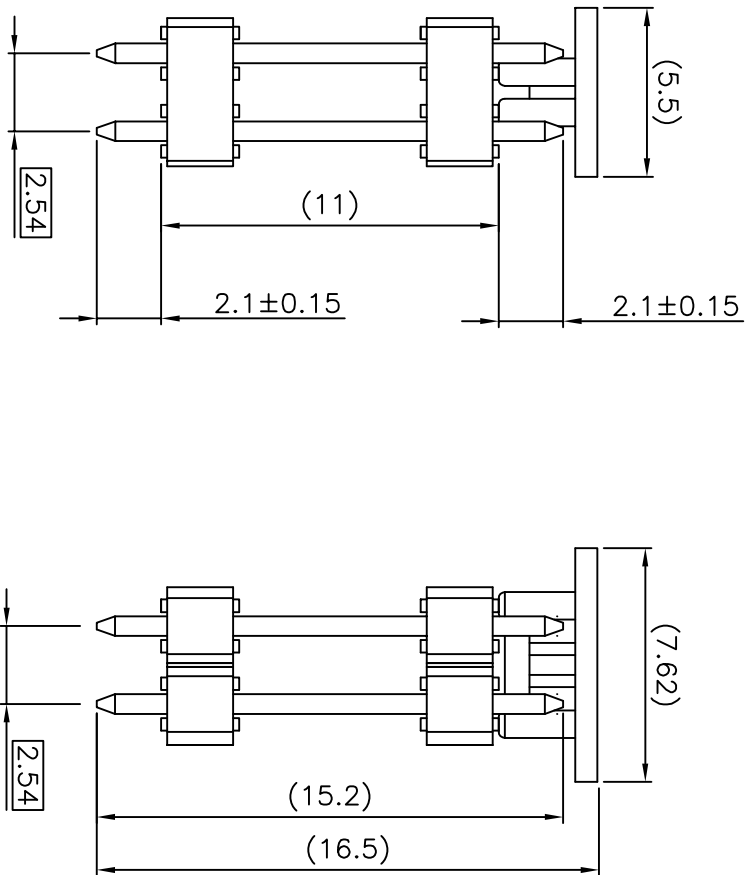
76745-3DCA04LF



3 = 2µm MATTE TIN
OVER 1.27µm Ni MIN

NOTES :

1. PACKAGING : A = TAPE & REEL PACKAGING WITH PICK UP CAP INSTALLED SEE TA 840
2. PRODUCT COMPATIBLE WITH REFLOW PROCESS. 255°C PEAK TEMPERATURE 10-40 SECONDES IN A CONVECTION, INFRA-RED OR VAPOR PHASE



| | | | | | | | | | |
|-------------|----------|----------|----------|---------------------------------------|--|------------|--|-------------------|--|
| mat'l. code | | surface | | tolerance | | projection | | product family | |
| ISO 1302 | | ISO 406 | | ISO 1001 | | mm | | BSTIK | |
| ltr | ecn no | dr | date | tolerances unless otherwise specified | | mm | | title | |
| A | F06-110 | LMU | 06.01.26 | | | | | HEADER STR, DR | |
| B | F06-0196 | LMU | 06.06.20 | | | | | DOUBLE BODY | |
| C | F07-0266 | LCO | 07.10.15 | | | | | sheet 3 of - size | |
| D | F12-0023 | LMU | 12.06.06 | L.MULIN | | 06.01.31 | | A3 | |
| E | F12-0090 | JFA | 12.12.07 | J.COMPAGNON | | 06.01.31 | | Drawing | |
| sheet | | revision | | appd JMC | | 06.01.31 | | type | |
| index | | sheet | | | | | | CUSTOMER | |