

Fixed Coaxial Attenuators Type TNC

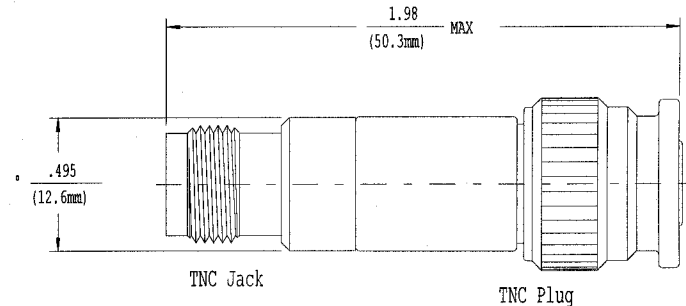
3782 Series

Features

- Type TNC connectors.
- Excellent Stability.
- Broadband Performance.

Description

XMA's type TNC series of attenuators has been designed for use where stable, broadband, medium power units are required. Any combination of precision stainless steel type TNC plug and jack connectors is available on these units. Contact XMA for part numbers and specifications. Standard configuration is type TNC plug and one TNC jack.



Ordering Information

Part Number Plug-Jack	Frequency (GHz)	Attenuation (dB)	VSWR
3782-6003-XX	DC to 4.0	01 to 06, ± 0.30 07 to 12, ± 0.50 13 to 20, ± 0.50 30, ± 0.50	DC to 4 GHz, 1.20
3782-6002-XX	DC to 12.4	01 to 06, ± 0.30 07 to 12, ± 0.50 13 to 20, ± 0.70 30, ± 1.00	DC to 4 GHz, 1.20 4 to 12.4 GHz, 1.30
3782-6001-XX*	DC to 18.0	01 to 06, ± 0.30 07 to 12, ± 0.50 13 to 20, ± 0.70 30, ± 1.00	DC to 4 GHz, 1.20 4 to 12.4 GHz, 1.30 12.4 to 18 GHz, 1.35

To order, replace "XX" with desired attenuation value.

* Type A TNC – Interface per MIL-STD-348 Fig 313.3 (male) and 313.4 (female).

Power: 2 Watts Average, 200 Watts Peak.

Finish: Passivated Stainless Steel.

Specifications subject to change without notice.

Non-standard versions available.

Contact franchised distributor or factory.