

EMI Suppression Filters (EMIFIL[®]) for AC Power Lines

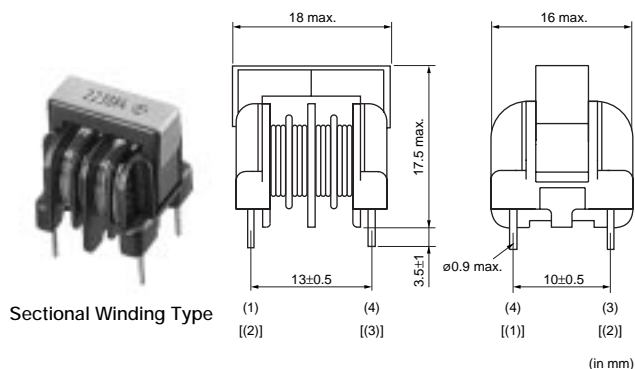
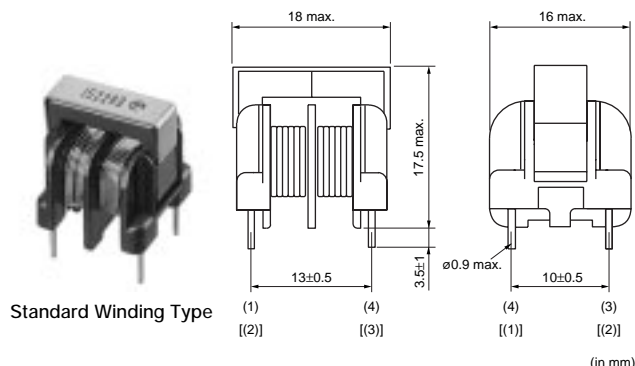


Common Mode Choke Coil

The PLA10 series is a compact size AC common mode choke coil. It can obtain a high inductance value in spite of its compact size.

■ Features

1. Compact and light weight
2. Low profile in vertical core layout
3. Both a standard winding type and a sectional winding type for higher frequency noise are available.



PLA10 Series Standard Winding Type

Part Number	Common Mode Inductance (min.) (mH)	Rated Current (A)	Rated Voltage (V)	Insulation Resistance (min.) (M ohm)
PLA10AN1522R0R2	1.5	2.0	300	100
PLA10AN1821R7R2	1.8	1.7	300	100
PLA10AN2221R5R2	2.2	1.5	300	100
PLA10AN3021R3R2	3.0	1.3	300	100
PLA10AN3521R2R2	3.5	1.2	300	100
PLA10AN5521R0R2	5.5	1.0	300	100
PLA10AN7420R8R2	7.4	0.8	300	100
PLA10AN1030R7R2	10.0	0.7	300	100
PLA10AN1230R6R2	12.0	0.6	300	100
PLA10AN2030R5R2	20.0	0.5	300	100
PLA10AN3030R4R2	30.0	0.4	300	100
PLA10AN4330R3R2	43.0	0.3	300	100

Operating Temperature Range (Ambient Temperature Range + Winding Temperature Rise) : -25°C to 120°C Winding Temperature Rise (at Rated Current) (max.) : 60K