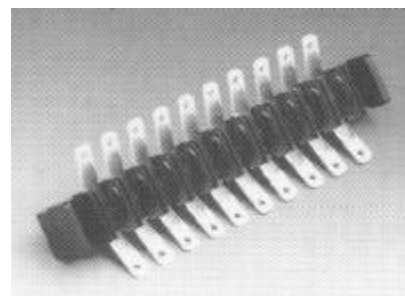
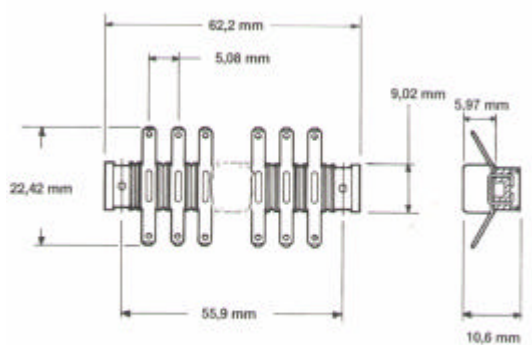


L1932 MINIATURE BARRIER STRIP

A ten way barrier type terminal block which can easily be sub-divided if required. It has two rows of solder or solderless snap-on connectors (2.8mm x 0.61mm).

CURRENT RATING:	5A
TEMPERATURE RANGE:	-55°C to +100°C (ambient)
VOLTAGE PROOF:	2 KV a.c. rms
INSULATION RESISTANCE:	≥100 megohms
MATERIALS:	Insulator : Polycarbonate resin Contacts : Brass, silver plated
WEIGHT (AVERAGE):	7.7g
APPROVALS	None

ORDERING REFERENCE: L1932



Panel cut-out fixing hole diameter 1,2 mm



BLP reserve the right to change without prior notice the information contained within this leaflet

BLP Components Ltd., Exning Road, Newmarket, Suffolk, CB8 0AX, England
Tel: +44 (0)1638 665161 Fax: +44 (0)1638 660718 email: sales@blpcomp.com <http://www.blpcomp.com>