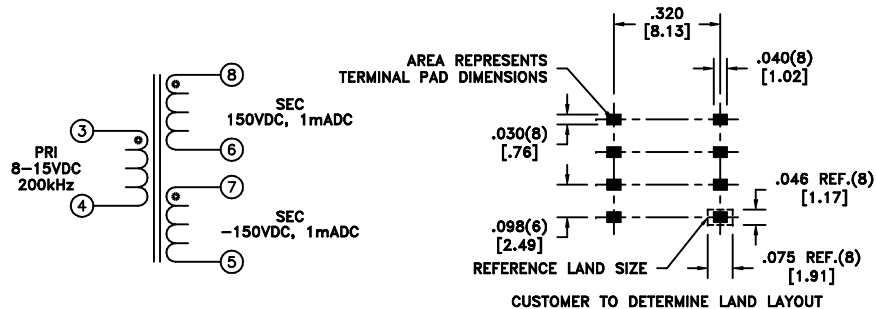
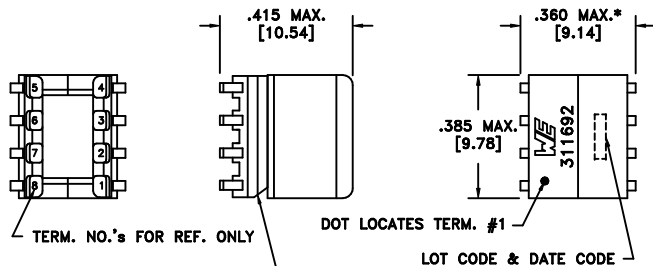


CUSTOMER TERMINAL	RoHS	LEAD(Pb)-FREE
Sn96%, Ag4%	Yes	Yes

more than you expect



* DIMENSION MAY BE EXCEEDED WITH SOLDER ONLY



ELECTRICAL SPECIFICATIONS @ 25°C unless otherwise noted:

PARAMETER	TEST CONDITIONS	VALUE
D.C. RESISTANCE	3-4 @20°C	0.325 ohms ±10%
D.C. RESISTANCE	8-6 @20°C	8.70 ohms ±10%
D.C. RESISTANCE	7-5 @20°C	8.70 ohms ±10%
INDUCTANCE	3-4 100kHz, 100mVAC, Ls	80uH ±10%
SATURATION CURRENT	20% rolloff from initial	1.0A
LEAKAGE INDUCTANCE	3-4 tie(5+6+7+8), 100kHz, 100mVAC, Ls	2.0uH max.
DIELECTRIC	3-8 tie(6+7), 150VAC, 1 second	-
DIELECTRIC	8-7 600VDC, 1 second	-
TURNS RATIO	(8-6):(3-4)	5:1, ±1%
TURNS RATIO	(7-5):(3-4)	5:1, ±1%

GENERAL SPECIFICATIONS:

OPERATING TEMPERATURE RANGE: -40°C to +125°C including temp rise.

Wire insulation & RoHS status not affected by wire color.
Wire insulation color may vary depending on availability.

DETAILS SUBJECT TO CHANGE

REV.	DATE	Packaging Specifications Method: Tape & Reel PKG-0410 www.we-online.com/midcom		Tolerances unless otherwise specified: Angles: ±1° Fractions: ±1/64 Decimals: ±.005 [.13] Footprint: ±.005 [.13]	DRAWING TITLE TRANSFORMER	PART NO. 750311692
6A	11/10	SEE REVISION SHEET FOR REVISION LEVEL	CONVENTION PLACEMENT	This drawing is dual dimensioned. Dimensions in brackets are in millimeters.	eiSos p/n: 750311692	compliant RoHS SPECIFICATION SHEET 1 OF 1