

Tous droits strictement réservés. Reproduction ou communication a des tiers interdite sous quelque forme que ce soit sans autorisation écrite du propriétaire. Propriete de c FCI. Droits de reproduction FCI.



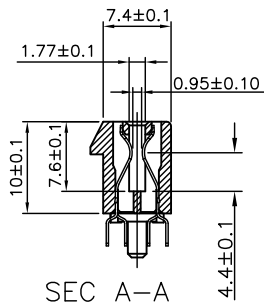
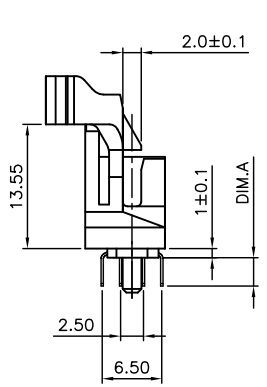
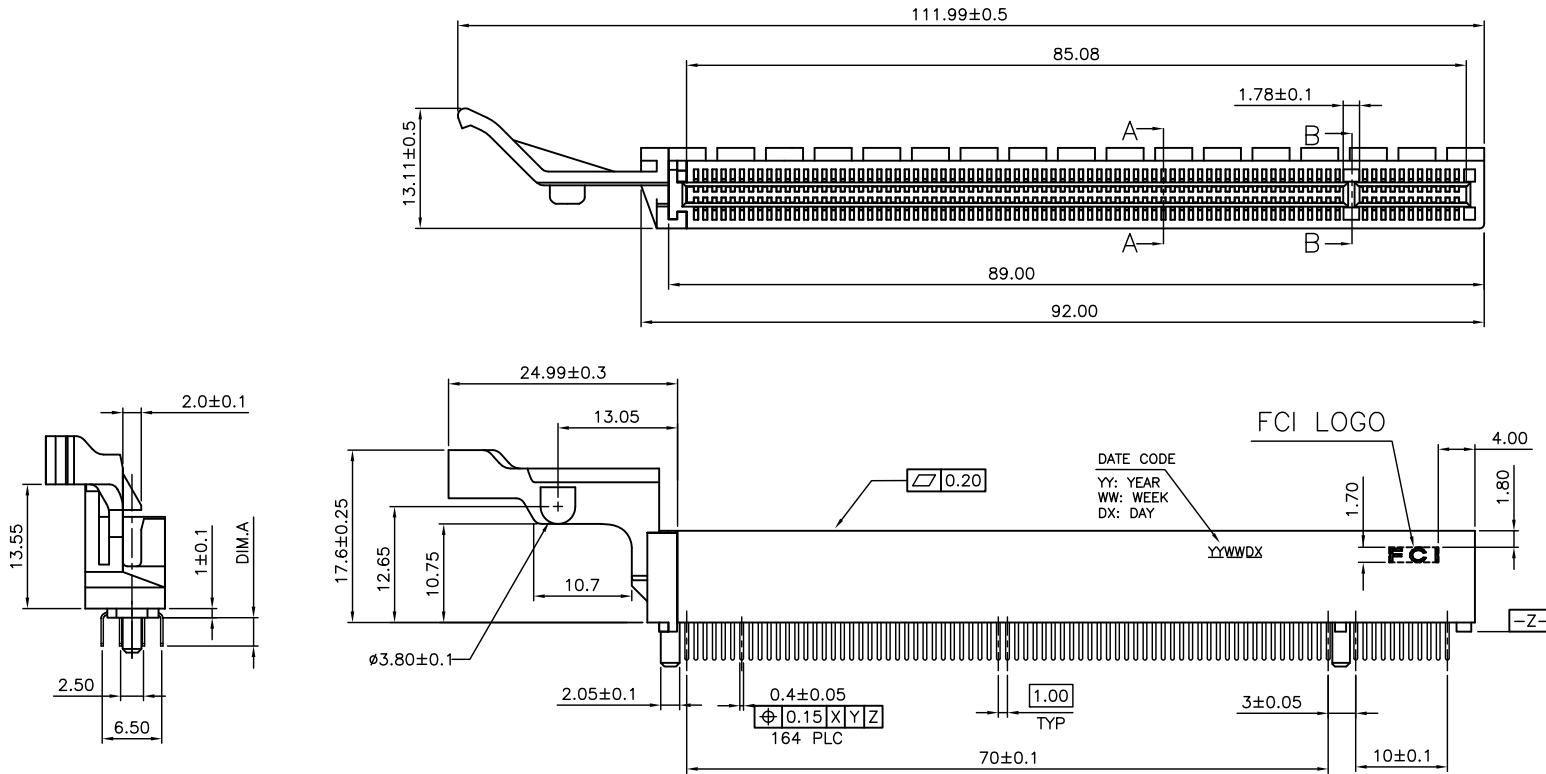
All rights strictly reserved. Reproduction or issue to third parties in any form whatever is not permitted without written authority from the proprietor. Property of FCI. Copyright FCI.

B

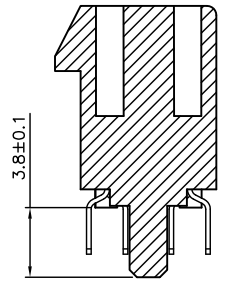
1 | 2

3 |

4



PART NUMBER	DIM.A
10083987-XXX13TLF	3.10±0.15
10083987-XXX23TLF	2.30±0.15



SEC B-B
SECALE 2:1

mat'l. code				tolerances unless otherwise specified			CUSTOMER COPY		FCI			
ltr	ecn no	dr	date	linear	.X ± 0.38		projection	www.fciconnect.com				
A	T07-1180	J.H	12/27/07		.XX ± 0.25			title				
B	T10-0030	J.H	1/03/10		.XXX ± 0.10			PCI-E INTEGRATED TYPE CARD EDGE ASS'Y				
				angles	0° ±2°		MM	product family		EDGE CARD	code	
				dr	JASON HSU	12/27/07		size		dwg no	TWN	sheet
				enr	JASON HSU	12/27/07		A4		10083987	1 of	
				chr	STERLING LIN	12/27/07	scale		1:1			
				appd	MINERVA WANG	12/27/07						
sheet index	revision sheet	B 1	B 2	B 3								

1 | 2

3 |

4

ACAD

PDM: Rev:B

STATUS: Released

cage code
22526

Printed: Feb 03, 2010

Tous droits strictement réservés. Reproduction ou communication a des tiers interdite sous quelque forme que ce soit sans autorisation écrite du propriétaire. Propriete de c FCI. Droits de reproduction FCI.



All rights strictly reserved. Reproduction or issue to third parties in any form whatever is not permitted without written authority from the proprietor. Property of FCI. Copyright FCI.

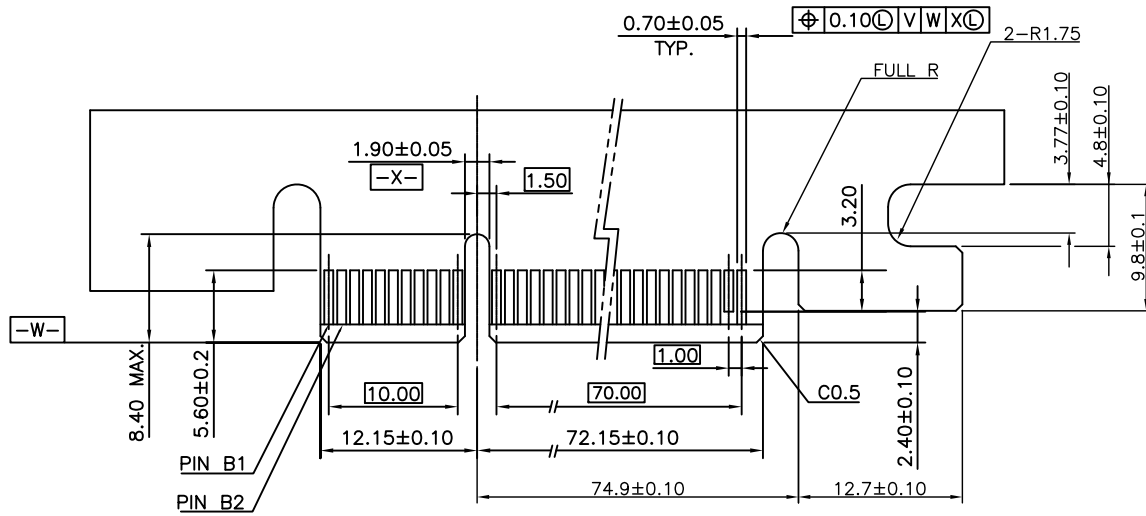
B

ACAD

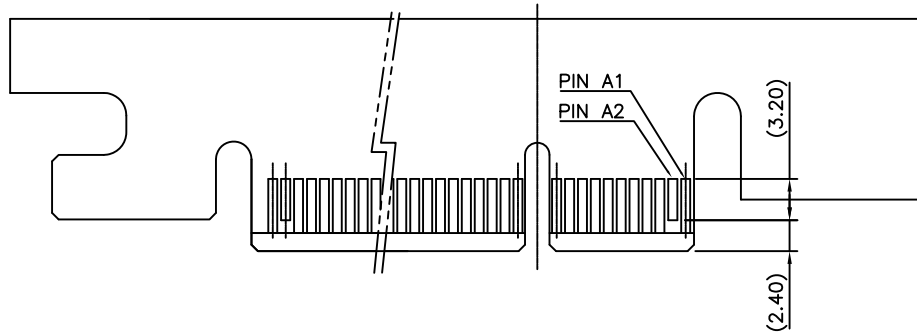
1 | 2

3

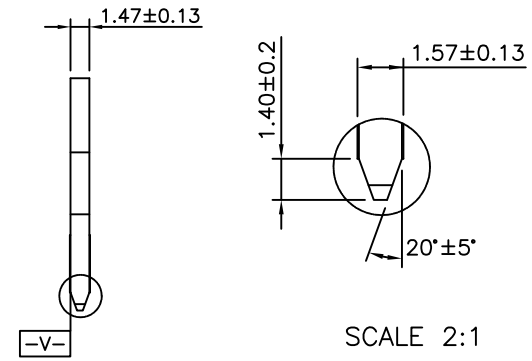
4



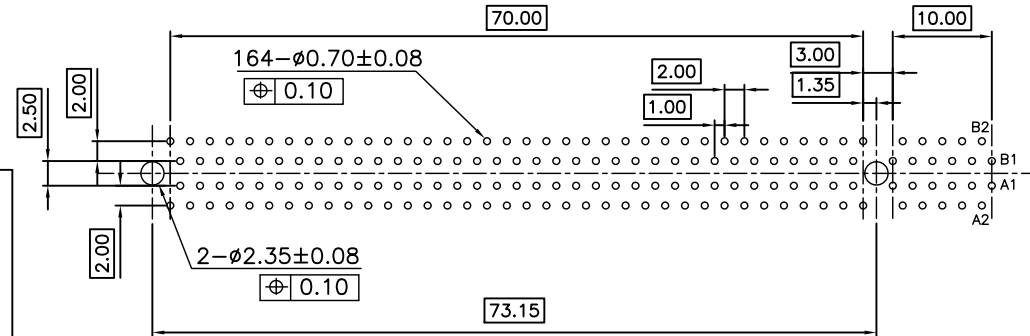
← I/O PANEL DIRECTION
PRIMARY (COMPONENT) SIDE



I/O PANEL DIRECTION →
SECONDARY (SOLDER) SIDE



ADD-IN CARD EDGE-FINGER DIMENSIONS



RECOMMENDED FOOTPRINT LAYOUT

mat'l. code				tolerances unless otherwise specified			CUSTOMER COPY		FCI www.fciconnect.com		
ltr	ecn no	dr	date	linear	.X ± 0.38		projection	title			
B					.XX ± 0.25			PCI-E INTEGRATED TYPE CARD EDGE ASS'Y			
					.XXX ± 0.10						
				angles	0° ± 2°		MM		product family EDGE CARD		
				dr	JASON HSU	12/27/07	scale		code		
				enr	JASON HSU	12/27/07	1:1		size dwg no		
				chr	STERLING LIN	12/27/07			10083987		
				appd	MINERVA WANG	12/27/07			sheet 2 of		
sheet index	revision sheet										

1 | 2

3

4

ACAD

PDM: Rev:B

STATUS: Released

cage code
22526

Printed: Feb 03, 2010

Tous droits strictement reserves. Reproduction ou communication a des tiers interdite sous quelque forme que ce soit sans autorisation écrite du propriétaire. Propriete de c FCI. Droits de reproduction FCI.



All rights strictly reserved. Reproduction or issue to third parties in any form whatever is not permitted without written authority from the proprietor. Property of FCI. Copyright FCI.

NOTES:

1.MATERIAL:

HOUSING: THERMOPLASTIC WITH GLASS FIBER, UL94V-0,
LATCHES: THERMOPLASTIC WITHOUT GLASS FIBER, UL94-HB (PA66).
CONTACTS: COPPER ALLOY.

2.FINISH:

CONTACTS: GOLD PLATING ON CONTACT AREA,
60u" MATTE TIN (LEAD FREE OPTION) PLATING ON SOLDERTAILS,
50u"MIN. NICKEL UNDERPLATING OVER ALL.

3. WARNING: THE MAXIMUM ALLOWABLE ANGLE TO WITHDRAWAL THE DAUGHTER CARD FROM RETAINER BY 25 DEGREE.

4. DURABILITY: 50 CYCLES.

5. RoHS COMPATIBLE PRODUCT SPECIFICATIONS

- a. PLATING: "LF" MEANS THE PRODUCT IS LEAD FREE, 1.5um min. MATTE PURE TIN OVER 1.27um MIN. NICKEL UNDERPLATE.
- b. MANUFACTURING PROCESS COMPATIBILITY: THE HOUSING WILL WITHSTAND EXPOSURE TO 260C±5C SOLDER BATH TEMPERATURE FOR 5 SECONDS IN A WAVE SOLDER APPLICATION WITH A 1.57MM THICK CIRCUIT BOARD.

PRODUCT NUMBER CODE

10083987 -x x x x x x LF

HOUSING COLOR OPTIONS
1-BLACK FOR BASE & RM
4-BLUE (297C) FOR BASE & RM

PEGS OPTIONS
1-PLASTIC POST

TERMINAL PLATING OPTIONS
0-50u" Ni UNDERPLATE
30u" Au CONTACT AREA
100u" TIN TAIL AREA
1-50u" Ni UNDERPLATE
15u" Au CONTACT AREA
100u" TIN TAIL AREA
2-50u" Ni UNDERPLATE
GOLD FLASH CONTACT AREA
100u" TIN TAIL AREA

APPLICATIONS
LF- LEAD FREE FOR PLATING OPTIONS 0,1,2

PACKAGING OPTIONS
T-TRAY PACKAGING

POS OPTIONS
3-164

TAIL LENGTH OPTION (DIM.A)
1- 3.10MM
2- 2.30MM

mat'l. code				tolerances unless otherwise specified			CUSTOMER COPY		FCI www.fciconnect.com		
ltr	ecn no	dr	date	linear	.X ± 0.38		projection	title			
B					.XX ± 0.25			PCI-E INTEGRATED TYPE CARD EDGE ASS'Y			
					.XXX ± 0.10						
				angles	0° ±2°						
				dr	JASON HSU	12/27/07	MM	product family		EDGE CARD	code
				enr	JASON HSU	12/27/07		size		dwg no	TWN
				chr	STERLING LIN	12/27/07	scale	A4		10083987	sheet
				appd	MINERVA WANG	12/27/07		1:1			3 of
sheet index	revision sheet										