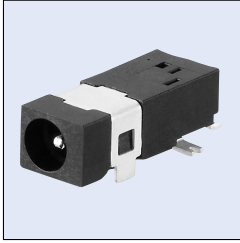


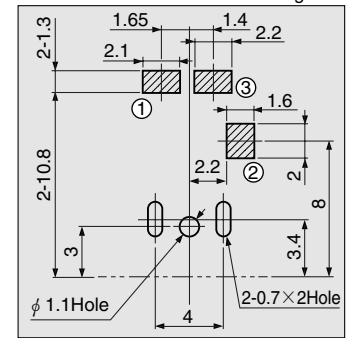
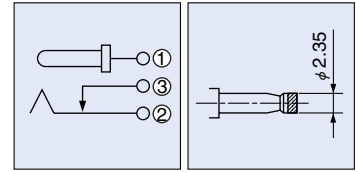
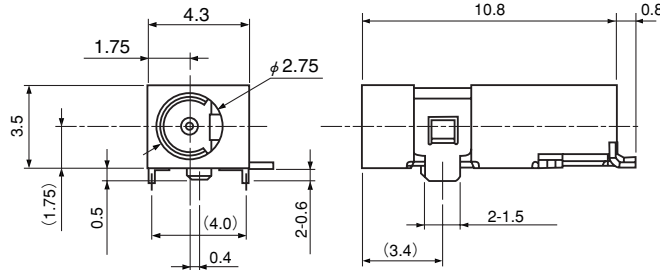
HEC3450
電圧区分 1 Voltage Classification 1 Horizontal Type

h=1.75

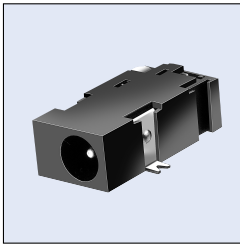

表面実装タイプ
SMT

 補強端子付き
 With terminal
 for reinforcement

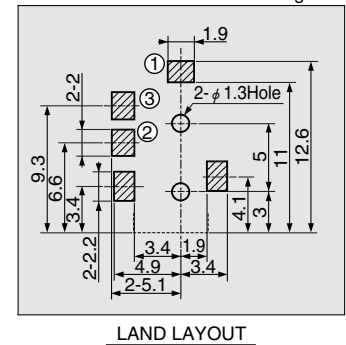
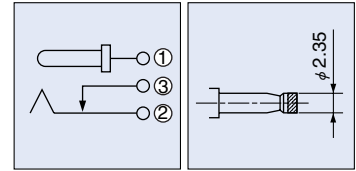
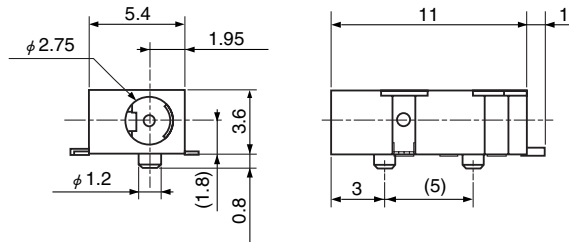
Housing Color	Model No.
Black	HEC3450-012010


HEC3357
電圧区分 1 Voltage Classification 1 Horizontal Type

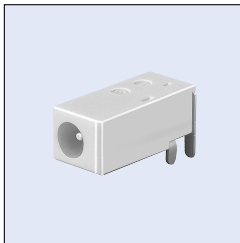
h=1.8


表面実装タイプ
SMT

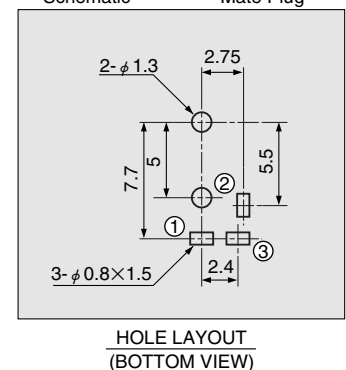
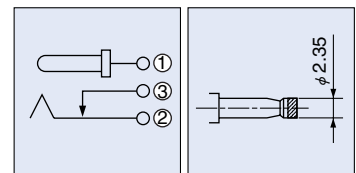
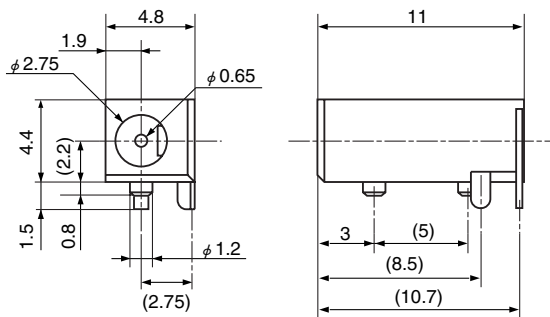
Housing Color	Model No.
Black	HEC3357-012010
Yellow	HEC3357-012020


HEC4306
電圧区分 1 Voltage Classification 1 Horizontal Type

h=2.2



Housing Color	Model No.
Black	HEC4306-010010
Yellow	HEC4306-010020



※Hand Soldering Only