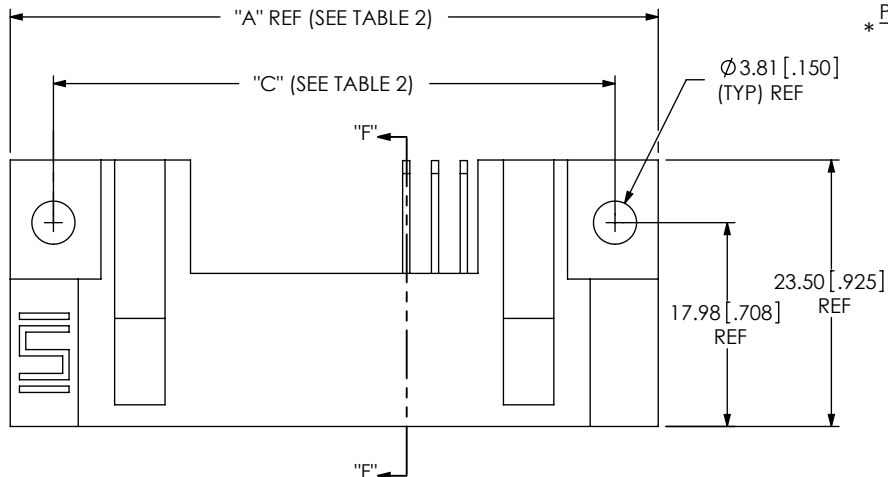


DESIGNED & DIMENSIONED  
IN MILLIMETERS [INCHES]

PETC-XX-XX-XX-01-X-RA-XX

DO NOT  
SCALE FROM  
THIS PRINT



\* POWER POSITIONS (PER END)  
-01, -02, -04

\* SIGNAL POSITIONS  
-12  
-40

\* POWER POSITIONS (PER END)  
-01, -02, -04

LEAD STYLE  
-01

OPTION \*\*  
-SD: SCREW DOWN  
(SEE FIG 1, SHT 1)  
-LC: LOCKING CLIP  
(USE LC-11-TM)  
(SEE FIG 2, SHT 2)

RIGHT ANGLE

PLATING SPECIFICATION

-S: SELECTIVE GOLD ON CONTACT/  
MATTE TIN ON TAIL  
-T: MATTE TIN  
-L: LIGHT SELECTIVE GOLD ON CONTACT/  
MATTE TIN ON TAIL

\* - SEE TABLE 1 FOR AVAILABLE COMBINATIONS  
\*\* - BLANK ONLY FOR EXISTING CUSTOMERS

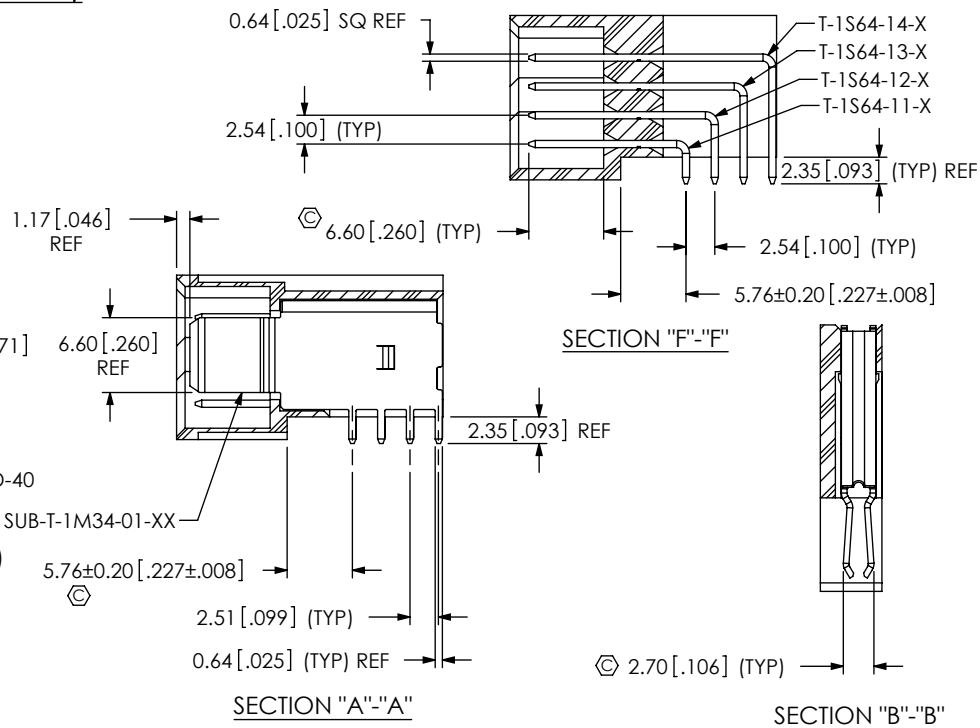
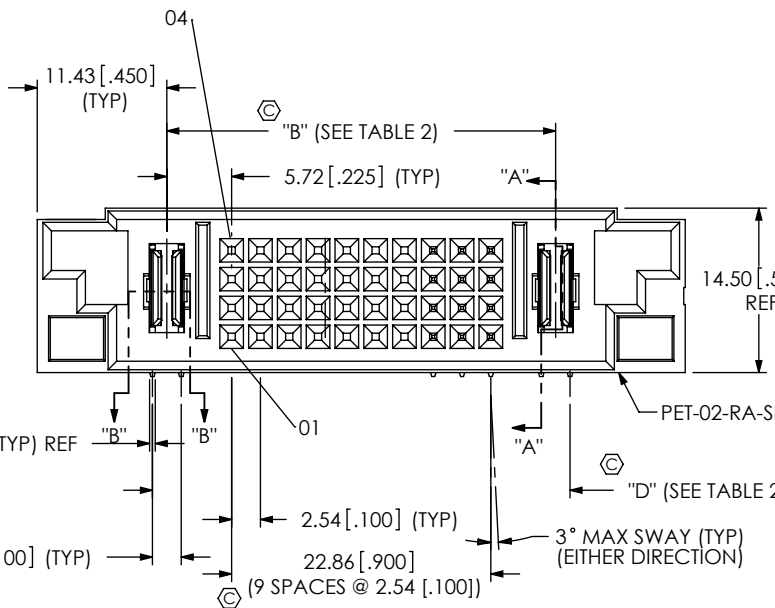


FIG 1  
PETC-01-40-0T-X-RA-SD SHOWN

TABLE 1	
PART NUMBER	MAX
PETC-01-40-01-01-X-RA-XX	0.15 [ .006 ]
PETC-02-40-02-01-X-RA-XX	0.15 [ .006 ]
PETC-04-40-04-01-X-RA-XX	0.20 [ .008 ]
PETC-01-12-01-01-X-RA-XX	0.15 [ .006 ]
PETC-02-12-02-01-X-RA-XX	0.15 [ .006 ]
PETC-04-12-04-01-X-RA-XX	0.15 [ .006 ]

NOTES:

1.  $\odot$  REPRESENTS A CRITICAL DIMENSION.
2. BURR ALLOWANCE: 0.038 [ .0015 ] MAX.
3. MINIMUM PUSHOUT FORCE: 2.22N [ .5 LB ].
4. PARTS TO BE PACKAGED IN TRAYS.
5. PARTS PLACED IN TRAY WITH PIN #1 FACING THE RIGHT SIDE, DUE TO PIN NUMBERING ORDER.

**H**

UNLESS OTHERWISE SPECIFIED, DIMENSIONS ARE IN MILLIMETERS. TOLERANCES ARE:

DECIMALS	ANGLES
.X: $\pm 0.3$ [ .01 ]	2°
.XX: $\pm 0.13$ [ .005 ]	
.XXX: $\pm 0.051$ [ .0020 ]	

**PROPRIETARY NOTE**  
THIS DOCUMENT CONTAINS INFORMATION CONFIDENTIAL AND PROPRIETARY TO SAMTEC, INC. AND SHALL NOT BE REPRODUCED OR TRANSFERRED TO OTHER DOCUMENTS OR DISCLOSED TO OTHERS OR USED FOR ANY PURPOSE OTHER THAN THAT WHICH IT WAS OBTAINED WITHOUT THE EXPRESSED WRITTEN CONSENT OF SAMTEC, INC.

**MATERIAL:** DO NOT SCALE DRAWING SHEET SCALE: 1:0.666667  
INSULATOR: LCP, COLOR: BLACK  
TERMINAL: COPPER ALLOY

520 PARK EAST BLVD, NEW ALBANY, IN 47150  
PHONE: 812-944-6733 FAX: 812-948-5047  
e-Mail: info@SAMTEC.com code 55322

DESCRIPTION:  
RIGHT ANGLE POWER TERMINAL

DWG. NO.  
**PETC-XX-XX-XX-01-X-RA-XX**

BY: CLAY W 1/12/2006 SHEET 1 OF 2

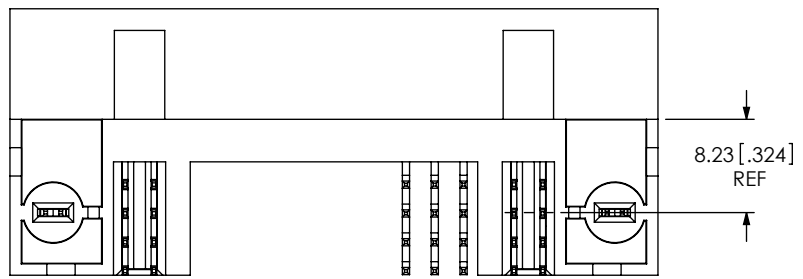
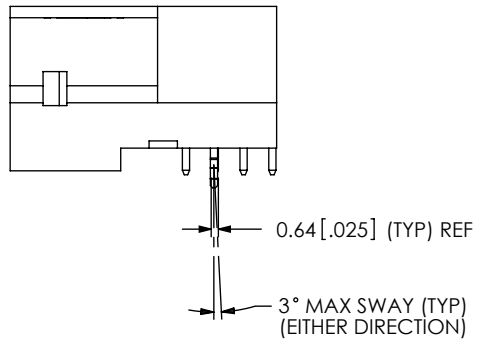
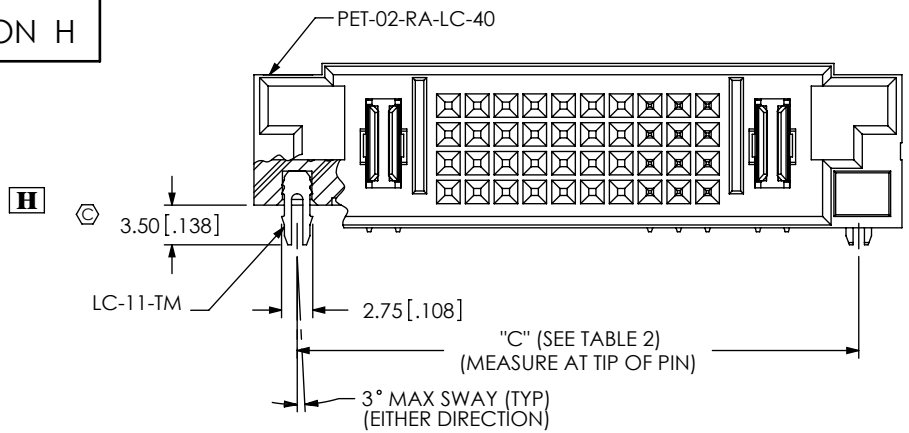


FIG 2  
PETC-01-40-01-01-X-RA-LC SHOWN  
(SAME AS FIG 1, UNLESS OTHERWISE STATED)

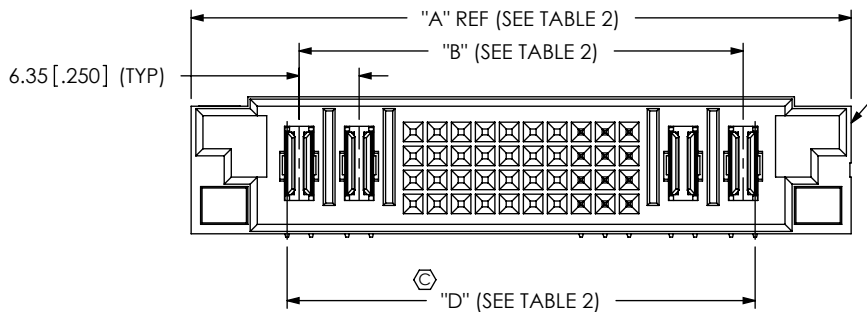


TABLE 2													
PART NUMBER	"A"	"B"		"C"		"D"							
PETC-01-40-01-01-X-RA-XX	57.15 [2.250]	34.29	+0.20 -0.13	[1.350]	+0.008 -0.005	49.53	+0.05 -0.30	[1.950]	+0.002 -0.012	36.83	±0.20	[1.450]	±0.008
PETC-02-40-02-01-X-RA-XX	69.85 [2.750]	46.99	+0.20 -0.13	[1.850]	+0.008 -0.005	62.23	+0.05 -0.35	[2.450]	+0.002 -0.014	49.53	±0.20	[1.950]	±0.008
PETC-04-40-04-01-X-RA-XX	95.25 [3.750]	72.39	+0.25 -0.13	[2.850]	+0.010 -0.005	87.63		[3.450]		74.93	±0.20	[2.950]	±0.008
PETC-01-12-01-01-X-RA-XX	39.37 [1.550]	16.51	+0.20 -0.13	[0.650]	+0.008 -0.005	31.75	+0.05 -0.35	[1.250]	+0.002 -0.014	19.05	±0.20	[0.750]	±0.008
PETC-02-12-02-01-X-RA-XX	52.07 [2.050]	29.21	+0.20 -0.13	[1.150]	+0.008 -0.005	44.45	+0.05 -0.35	[1.750]	+0.002 -0.014	31.75	±0.20	[1.250]	±0.008
PETC-04-12-04-01-X-RA-XX	77.47 [3.050]	54.61	+0.20 -0.13	[2.150]	+0.008 -0.005	69.85	+0.05 -0.35	[2.750]	+0.002 -0.014	57.15	±0.20	[2.250]	±0.008

FIG 3  
PETC-02-40-02-01-X-RA-SD SHOWN  
(SAME AS FIG. 1, UNLESS OTHERWISE STATED)

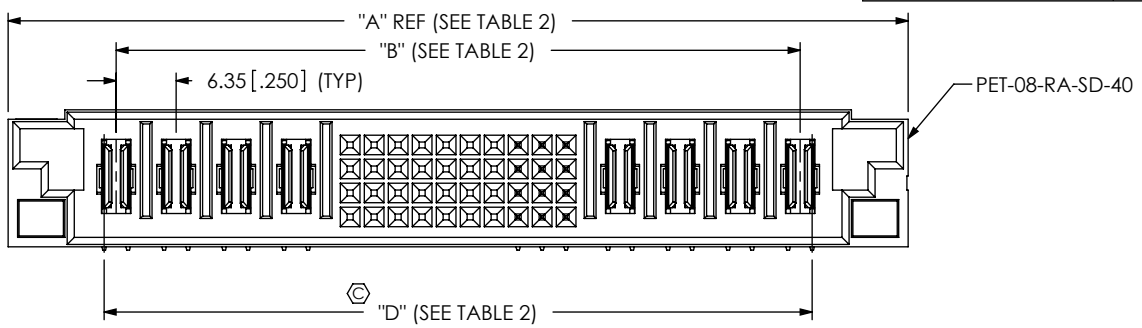


FIG 4  
PETC-04-40-04-01-X-RA-SD SHOWN  
(SAME AS FIG. 1, UNLESS OTHERWISE STATED)

**PROPRIETARY NOTE**  
THIS DOCUMENT CONTAINS INFORMATION CONFIDENTIAL AND PROPRIETARY TO SAMTEC, INC. AND SHALL NOT BE REPRODUCED OR TRANSFERRED TO OTHER DOCUMENTS OR DISCLOSED TO OTHERS OR USED FOR ANY PURPOSE OTHER THAN THAT WHICH IT WAS OBTAINED WITHOUT THE EXPRESSED WRITTEN CONSENT OF SAMTEC, INC.

DO NOT SCALE DRAWING  
SHEET SCALE: 1.5:1



520 PARK EAST BLVD. NEW ALBANY, IN 47150  
PHONE: 812-944-6733 FAX: 812-948-5047  
e-Mail info@SAMTEC.com code 55322

DESCRIPTION: RIGHT ANGLE POWER TERMINAL  
DWG. NO. PETC-XX-XX-XX-01-X-RA-XX  
BY: CLAY W 1/12/2006 SHEET 2 OF 2