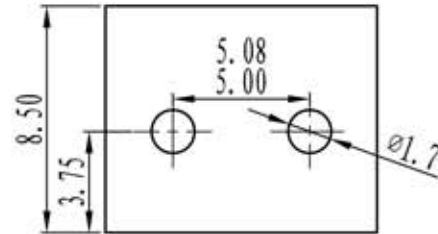
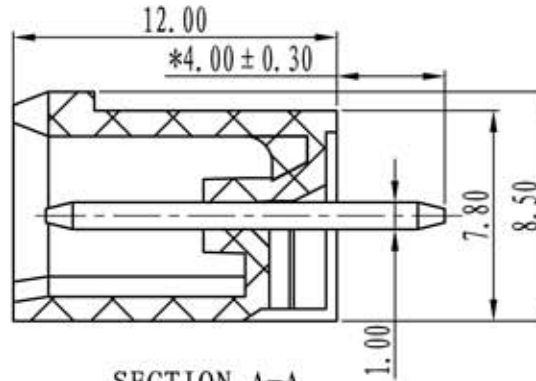
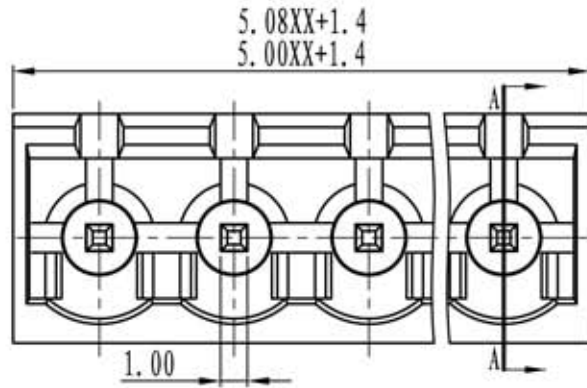


euro-block

product specification



Electrical		
Standard	UL	IEC
Rated voltage	300V	320V
Rated current	15A	20A
Contact resistance	20mΩ	
Insulation resistance	500MΩ/DC500V	
Withstanding voltage	AC2000V/1 Min	

Mechanical	
Temp. Range	-40°C + 105°C
Max sold. Time	+250°C, for 5 sec.

Dimensions	
Pitch	5 - 5.08 mm
Poles	2+24

Material	
Housing	PA66, UL94V0
Pin header	Brass, tin plated

TOLERANCES EXCEPT AS NOTED

Version/Version	Data/Date
2013-1	14/05/2013

General description of ordering code

Series	n. poles	pitch	version	color	custom

	linear dimension					fillet	chamfer	short angle sid			≡	-	□	//	⊥		
	to	over 6 to 30	over 30 to 120	over 120 to 480	over 480 to	all	to 6	to 10	to 10	to 30						to 120	to 10
variable range	to 6	over 6 to 30	over 30 to 120	over 120 to 480	over 480 to	all	to 6	to 10	to 10	to 30	to 120	to 10	to 5	to 30	to 120		
tolerance	±0.1	±0.2	±0.3	±0.5	±0.9	±0.2	±0.5	±1	1'	30'	20'	10'	0.5	0.025	0.06	0.12	0.4

UNITS	mm	SIZE	A4	SCALE	FIRST ANGLE PROJECTION
 euro-block					CCM-5-5,08-CV