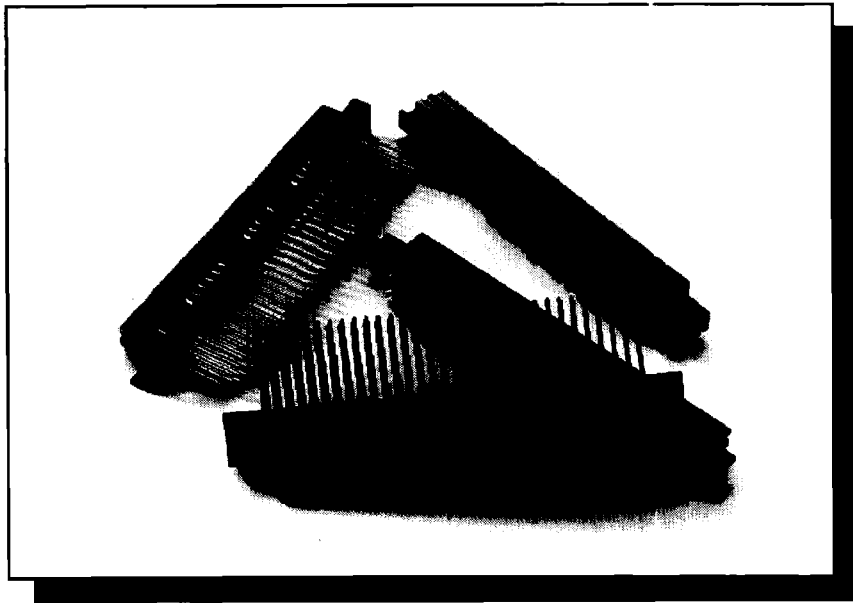
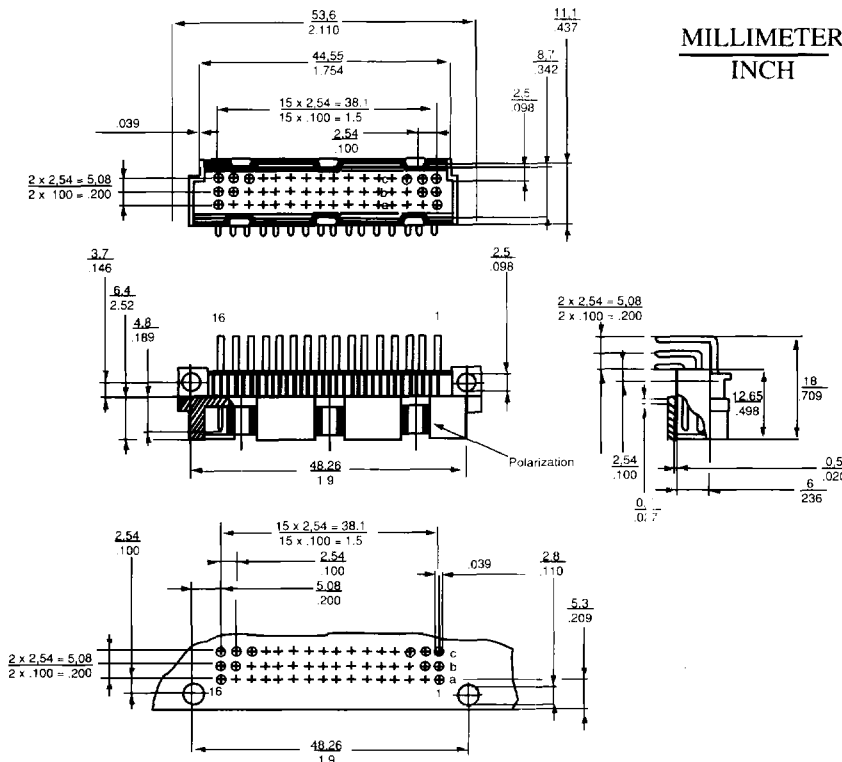


DIN C/2 Series-C Series



The "C/2" Half DIN Style Connector has 3 rows of 16 contacts per row on a .100 pitch. The "C" Style connector has 3 rows of 32 contacts per row on a .100 pitch. Meets DIN 41612 specification, Class II. The female is available in PC and Wire-Wrap styles for both solder and press-fit terminations. The male is a right angle available for both PC and Wire-Wrap style.

Male Connectors C/2 Series



Features

- Meets DIN 41612 specification
- Available in both press-fit and solder tail contacts
- Variety of pin terminations
- UL recognized

Benefits

- Up to 96 contacts in three rows providing greater contact density
- Lower insertion and withdrawal forces
- Selection of press-fit or solder tail contacts allows the choice of termination to the board

Performance Characteristics

- Contact Resistance: 20 milliohms maximum
- Insulation Resistance: 10^{12} Ohms
- Test Voltage: 1000 VRMS
- Temperature Range: -55°C to $+125^{\circ}\text{C}$
- Withdrawal Force: .033 lbs./contact min.
- Mating Force: 96 Contacts - 19.8 lbs. max
- Dielectric Withstanding: 1000 VAC
- Durability: 400 cycles Per DIN 41612, Class II
- Operating Voltage: 250 VAC

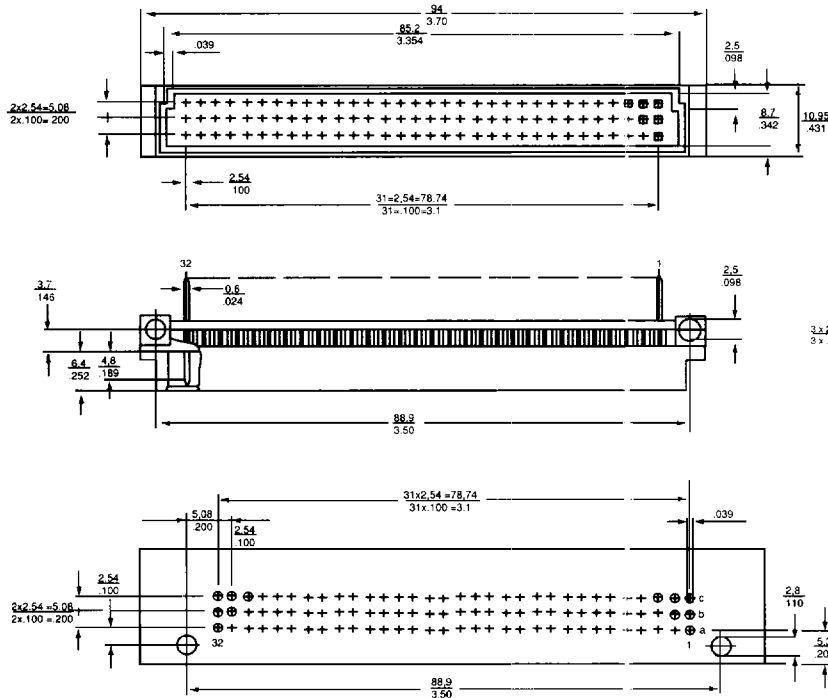
Materials and Finish

- Insulation Material: Glass filled polyester (Gray)
- Contacts Male: Copper alloy
Female: Phosphor bronze
- Contact Plating Option: Performance per DIN 41612, Class II

Part Number 48 Position C/2 Male R/A

43-9103-90064	.114/2,9 mm tail
43-9103-90066	.512/13mm tail
43-9103-90166	.669/17 mm tail

Male Connector C series

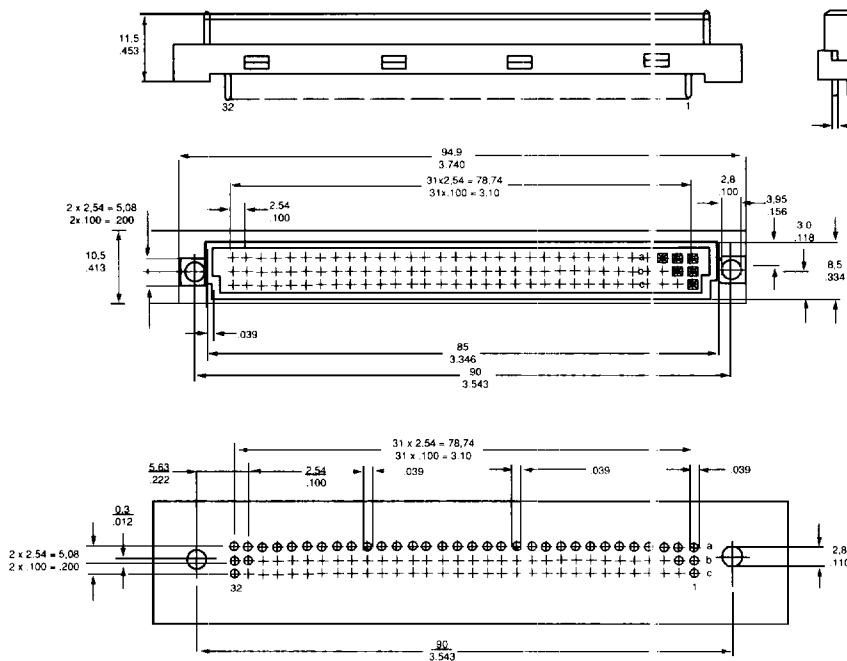


MILLIMETER
INCH

Part Number 96 Position C Series Male

43-9103-40064	.114/2,9 mm tail
43-9103-40174	.512/13 mm tail
43-9103-40074	.669/17mm tail

Female Connector C series



MILLIMETER
INCH

Part Number 96 Position C Style Female

43-3104-60064	Press-fit .181/4.6 mm tail
43-3104-65065	Press-fit .512/13mm tail *
43-3104-65066	Press-fit .669/17 mm tail *
43-3104-40065	Solder tail .157/4 mm tail
43-3104-40066	Solder tail .512/13 mm tail

* 30μ" Au at point of contact;
Au flash .200" from pin tip;
balance tin/lead