

New Jersey Semi-Conductor Products, Inc.

20 STERN AVE.
 SPRINGFIELD, NEW JERSEY 07081
 U.S.A.

TELEPHONE: (201) 376-292
 (212) 227-600
 FAX: (201) 376-896

PARAMETERS

1N5832

GENERAL PURPOSE SCHOTTKY RECTIFIER

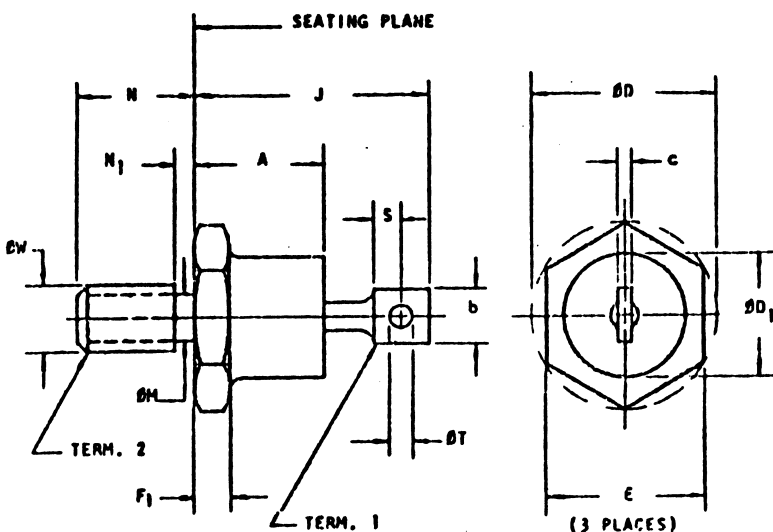
Description: General Purpose Schottky Rectifier

Manufacturer.....
 Mil/High-Rel? (Y/N).....
 I(out) (If AVG) Max..... 40
 @Temp. (test) (xC)..... 75#
 VRRM..... 20
 1-Cycle Surge Current (A)..... 800%
 Vf Max..... 980m
 @If (test)..... 125
 @Temp. (test) for Vf)..... 25#
 Ir @25xC..... 20m
 @Volts (test) (V)..... 20
 Ir @ Diff. Temp (A)..... 150m
 @Temp (test) (xC)..... 100#
 Oper. Temp (xC) Max..... 125u
 Pkg Style..... DO-203AB
 Surface Mounted (Y/N)..... N

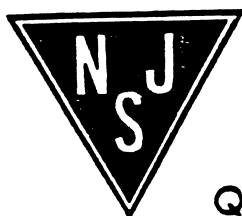
NOTES:

1. REFER TO APPLICABLE SYMBOL LIST.
2. CHAMFER OR UNDERCUT ON ONE OR BOTH ENDS OF HEXAGONAL BASE IS OPTIONAL.
3. ANGULAR ORIENTATION AND CONTOUR OF TERMINAL ONE IS OPTIONAL.
4. ϕW IS PITCH DIAMETER OF COATED THREADS.
 REF: UNIFIED SCREW THREADS
 ANS B1.1-1960
5. MIN. FLAT.

u Junction Temperature # Case Temperature % @ above 125xC 2 It(rms)



SYMBOL	VARIATIONS					
	E203a/DO203AA		NOTE	E203b/DO203AB		NOTE
	MIN.	MAX.		MIN.	MAX.	
A	-	.405		-	.450	
b	-	.250	3	-	.375	3
c	-	-		-	-	
ϕD	-	.505		-	.794	
ϕD_1	.265	.424		-	.667	
E	.423	.438		.669	.688	
F1	.075	.175	2	.115	.200	2
J	.600	.800		.750	1.000	
DM	.163	.189		.220	.249	
N	.422	.453		.422	.453	
N1	-	.078		-	.089	
S	-	-		.156	-	5
DT	.060	.095		.140	.175	
ϕW	10-32	UNF-2A	4	1/4-28	UNF-2A	4
NOTE	1			1		



Quality Semi-Conductors