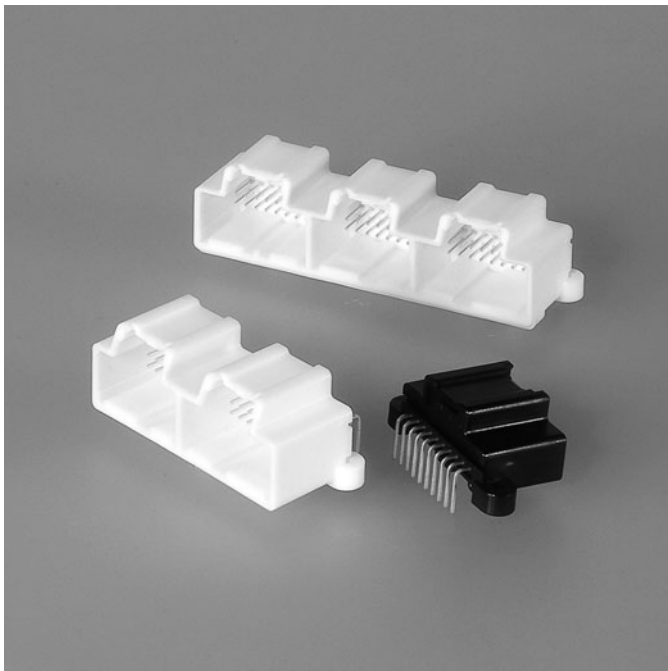


# AIT CONNECTOR

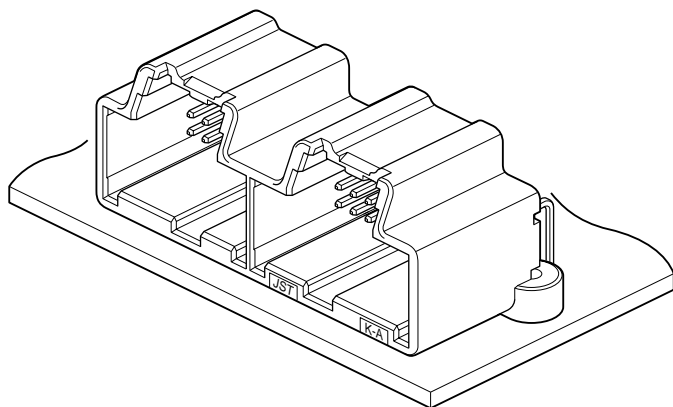
Board-to-wire/Wire-to-wire



0.64 unsealed connector series compliant with the standard USCAR footprints.  
Variations of Keying / Color options and PC Board mounting features are available to satisfy customer's needs.

## Features

- Compliant with the Standard 0.64 Unsealed USCAR Footprints and USCAR Performance Standards
- Variations in PCB mountings

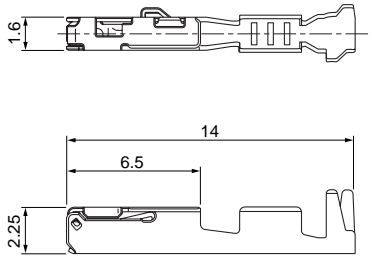


## Specifications

- Current rating: 5A DC max.
- Voltage rating: 14V DC
- Temperature range: -40°C to +100°C  
(including temperature rise in applying electrical current)
- Contact resistance: Initial value/15mΩ max.  
After environmental testing/15mΩ max.
- Insulation resistance: 100MΩ min.
- Applicable Wire: SAE/ AVSS / CAVS  
0.3mm<sup>2</sup> to 0.8mm<sup>2</sup>

- \* Compliant with ELV/RoHS.
- \* Contact JST for details.

## Female terminal

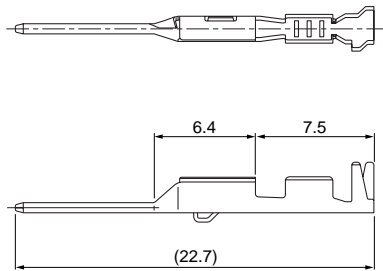


Size	Model No.	Applicable wire range		Q'ty/reel
		Conductor (mm <sup>2</sup> )	Insulation O.D. (mm)	
S	①SAIT-A03T-M064	0.3 to 0.5	≤1.9	6,500
	②SAIT-A03GF-M064	0.3 to 0.5	≤1.9	6,500
M	①SAIT-A02T-M064	0.75 to 0.8	≤1.9	6,500
	②SAIT-A02GF-M064	0.75 to 0.8	≤1.9	6,500

### Material and Finish

- ①Copper alloy, tin-plated (reflow treatment)
- ②Copper alloy, Contact area; gold-plated  
Barrel area; tin-plated

## Male terminal



Size	Model No.	Applicable wire range		Q'ty/reel
		Conductor (mm <sup>2</sup> )	Insulation O.D. (mm)	
S	①SAITW-A03T-064	0.3 to 0.5	≤1.9	7,000
	②SAITW-A03GF-064	0.3 to 0.5	≤1.9	7,000
M	①SAITW-A02T-064	0.75 to 0.8	≤1.9	7,000
	②SAITW-A02GF-064	0.75 to 0.8	≤1.9	7,000

### Material and Finish

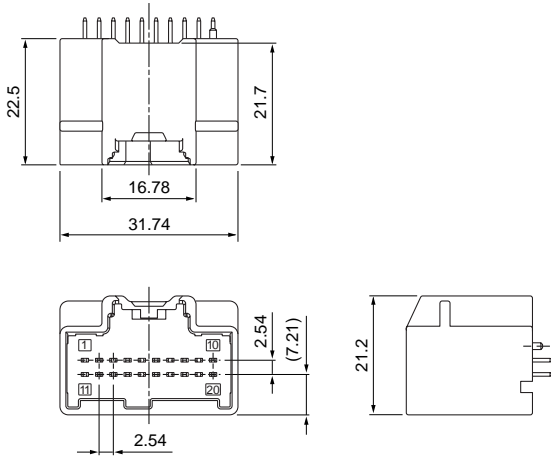
- ①Brass, tin-plated (reflow treatment)
- ②Brass, Contact area; gold-plated  
Barrel area; tin-plated

## Male connector

### Top entry type

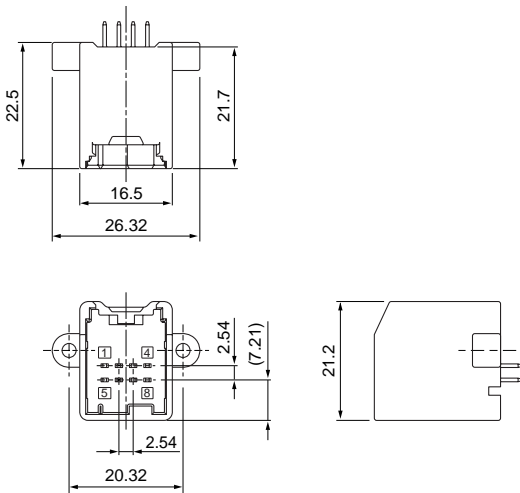
#### With boss

#### ● 20 circuits

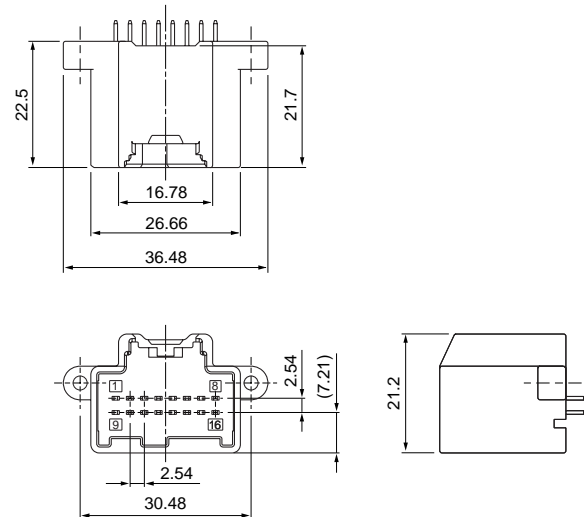


#### Screw hole type

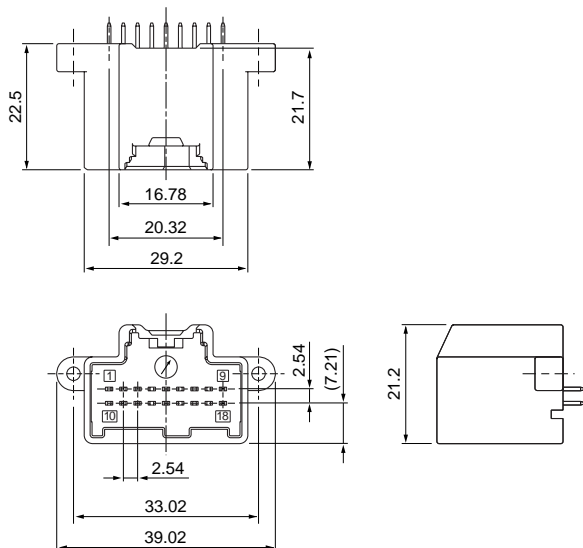
#### ● 8 circuits



#### ● 16 circuits



#### ● 18 circuits



Circuits	Model No.	Q'ty/box	Housing Color
8	B08B-AIT-A2B-HS	96	Gray
	B08B-AIT-A2A-KS	96	Black
16	B16B-AIT-A2A-KS	60	Black
	B16B-AIT-A2B-HS	60	Gray
18	B18B-AIT-A2F-SS	60	Natural (White)
20	B20B2-AIT-A2A-KS-(M)	510	Black
	B20B2-AIT-A2C-KS-(M)	510	Brown

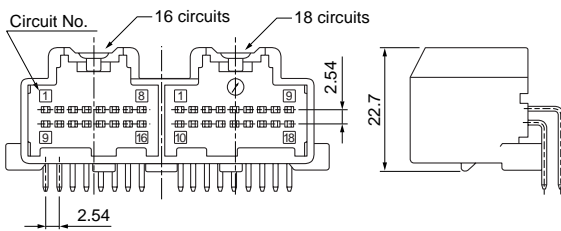
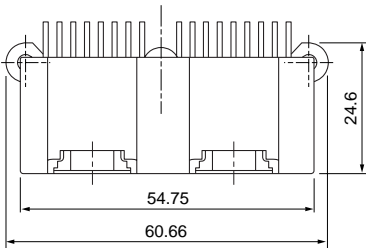
#### Material and Finish

Housing: Glass-filled PA  
Pin: Brass, tin-plated

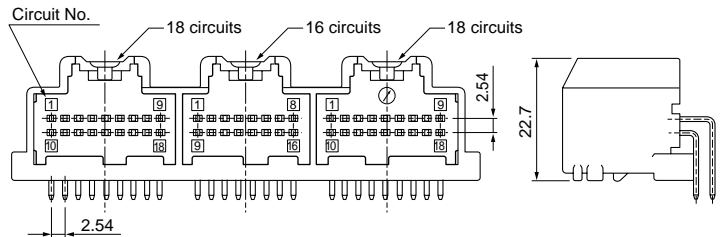
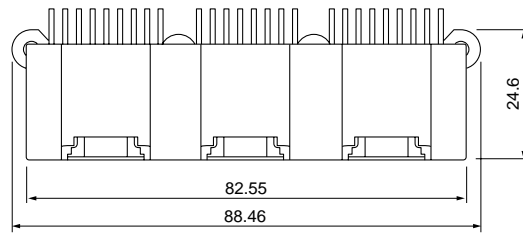
## Male connector

### Side entry type

#### ● 34 circuits

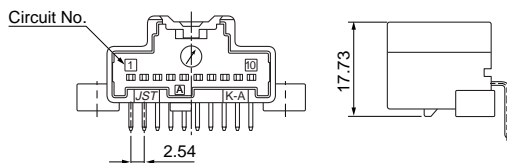
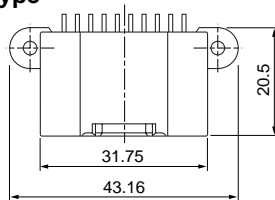


#### ● 52 circuits

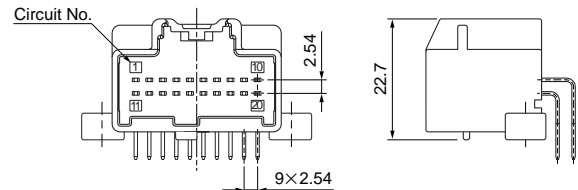
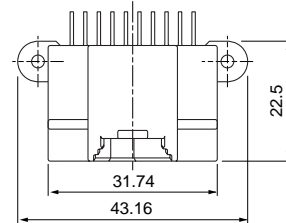


### Screw hole type

#### ● 10 circuits

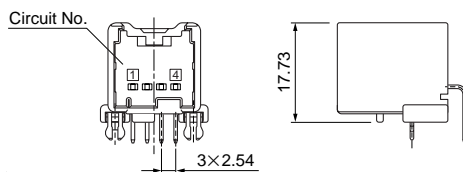
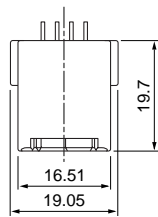


#### ● 20 circuits

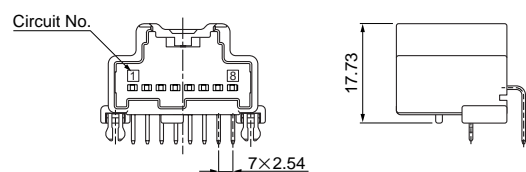
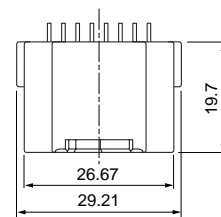


### Reinforcement type

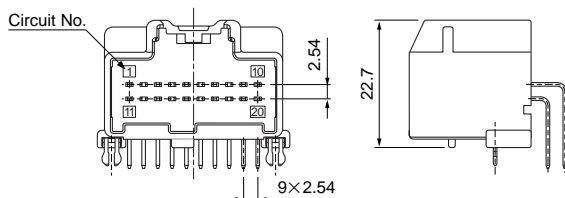
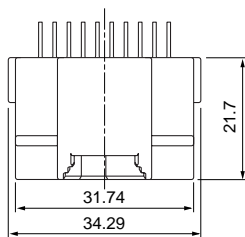
#### ● 4 circuits



#### ● 8 circuits



#### ● 20 circuits



Type	Circuits	Model No.	Q'ty/box	Housing Color
1 Block	4	S04B1-AIT-A1A-KS	88	Black
	8	S08B1-AIT-A1A-KS	56	Black
	10	*S10B-AIT-A1A-KS-(M)	390	Black
	20	S20B-AIT-A2B-HS	24	Gray
		S20B-AIT-A2A-KS	24	Black
		S20B1-AIT-A2A-KS	36	Black
	S20B1-AIT-A2B-HS	36	Gray	
2 Block	34	*S34B-AIT-A22-SS-(M)	216	Natural (White)
3 Block	52	*S52B-AIT-A23-SS-(M)	144	Natural (White)

#### Material and Finish

Housing: Glass-filled PBT

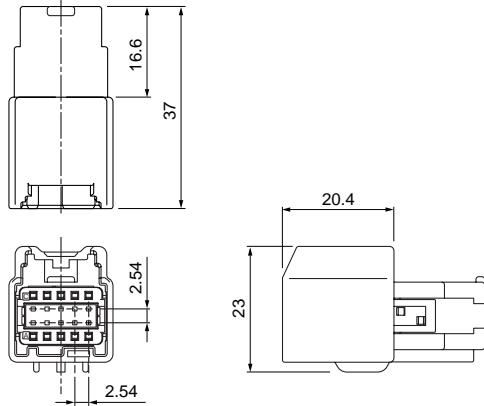
Pin: Brass, tin-plated

\*Marked products display (LF)(SN) on a label.

# AIT CONNECTOR

## Male connector

### ● 10 circuits



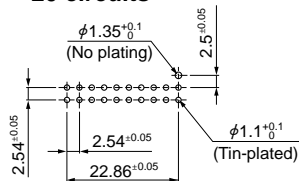
Circuits	Model No.	Q'ty/box
10	<b>AITWSB-10-2AK</b>	100
<b>Material</b>		
Housing: Glass-filled PBT, black		
TPA: Glass-filled PBT, red		

## PC board layout

### Top entry type

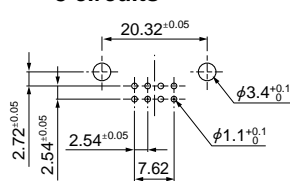
#### With boss

#### ● 20 circuits

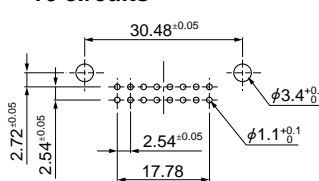


#### Screw hole type

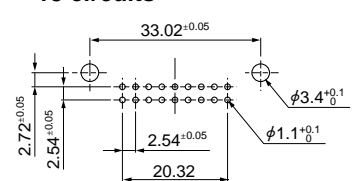
#### ● 8 circuits



#### ● 16 circuits

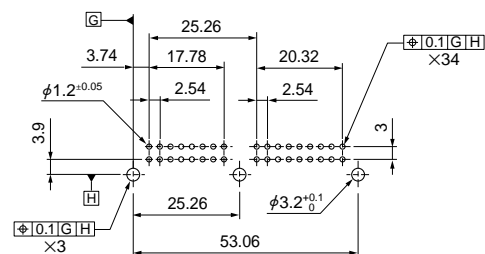


#### ● 18 circuits



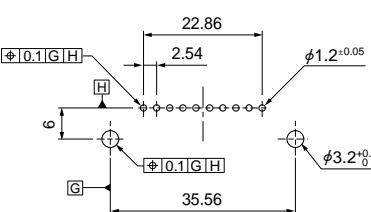
### Side entry type

#### ● 34 circuits

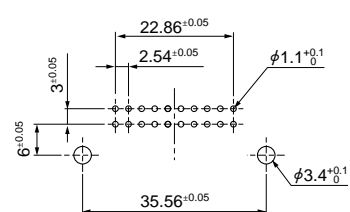


#### Screw hole type

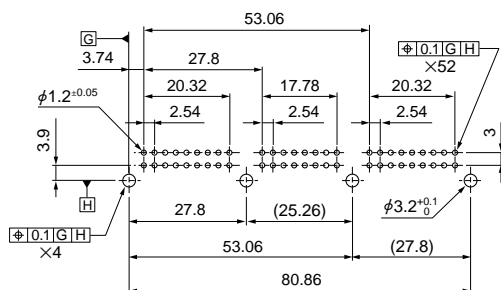
#### ● 10 circuits



#### ● 20 circuits

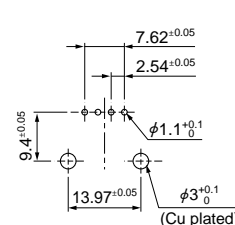


#### ● 52 circuits

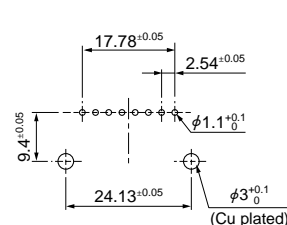


#### Reinforcement type

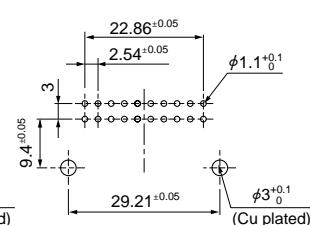
#### ● 4 circuits



#### ● 8 circuits



#### ● 20 circuits



Note: 1. Tolerances are non-cumulative.  
 2. Hole dimensions differ according to the type of PC board and piercing method.  
 The dimensions above should serve as guideline. Contact JST for details.

## Crimping machine, Applicator

Strip terminal	Crimping machine	Crimp applicator MKS-L	
		Dies	Crimp applicator with dies
SAIT-A03(-)-M064	AP-K2N	MK/SAIT-A03-064	APLMK SAIT-A03-064
SAIT-A02(-)-M064		MK/SAIT-A02-064	APLMK SAIT-A02-064
SAITW-A03(-)-064		MK/SAITW-A03-064	APLMK SAITW-A03-064
SAITW-A02(-)-064		MK/SAITW-A02-064	APLMK SAITW-A02-064

Note: When crimping operation is conducted using an applicator and die set other than the above, JST cannot guarantee the performance of the terminal.