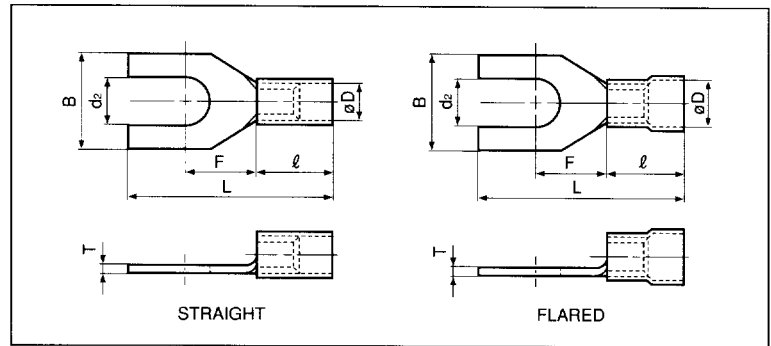
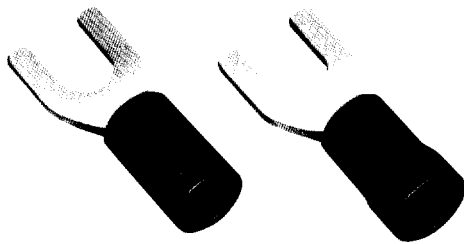




SPADE TONGUE (A type) Vinyl-insulated



File No.: E42024 LR20812

Applicable Wire AWG#(mm ²)	Stud size		Part No.		Standard	Dimensions mm (in.)										Color	Tool No.	Qty/box
	American	Metric	Straight	Flared		d ₂	Str. ^ø D		B	L	F	l	T					
26 to 22 (0.2 to 0.5)	3-4	3	V0.5-3A	FV0.5-3A		3.2 (.126)	1.9	2.9	5.0 (.197)	16.5 (.650)	6.0 (.236)	8.0	0.5	Yellow	YNT-2622 YA-1, YA-2	1,000		
	5-6	3.5	V0.5-3.7A	FV0.5-3.7A		3.7 (.146)	(.075)	(.114)	6.4 (.252)	19.0 (.748)	7.7 (.303)	(.315)	(.020)					
22 to 16 (0.25 to 1.65)	1-2	2	V1.25-2A	FV1.25-2A		2.2 (.087)	3.2 (.126)	4.0 (.157)	4.6 (.181)	18.8 (.740)	4.3 (.169)	9.0 (.354)	0.8 (.031)	Red	YNT-2216 YA-1 YA-2 YA-4	1,000		
	3-4	3	V1.25-B3A	FV1.25-B3A		3.2 (.126)			5.8 (.228)	20.0 (.787)	6.3 (.248)							
	5-6	3.5	V1.25-YS3A	FV1.25-YS3A		3.7 (.146)			6.4 (.252)	19.6 (.772)	6.3 (.248)							
	5-6	3.5	V1.25-S3A	FV1.25-S3A		3.7 (.146)			7.2 (.284)	20.0 (.787)	6.3 (.248)							
	5-6	3.5	V1.25-N3A	FV1.25-N3A		3.7 (.146)			6.2 (.244)	20.0 (.787)	6.3 (.248)							
	5-6	3.5	V1.25-P3A	FV1.25-P3A		3.7 (.146)			7.5 (.295)	18.0 (.709)	5.5 (.217)							
	8	4	V1.25-YS4A	FV1.25-YS4A		4.3 (.169)			6.4 (.252)	19.6 (.772)	6.3 (.248)							
	8	4	V1.25-S4A	FV1.25-S4A		4.3 (.169)			7.2 (.284)	20.0 (.787)	6.3 (.248)							
	8	4	V1.25-4A	FV1.25-4A		4.3 (.169)			8.5 (.335)	20.0 (.787)	7.0 (.276)							
	10	5	V1.25-5A	FV1.25-5A		5.3 (.209)			9.5 (.374)	20.0 (.787)	7.0 (.276)							
	10	5	V1.25-M5A	FV1.25-M5A		5.3 (.209)			8.5 (.335)	20.0 (.787)	7.0 (.276)							
10	5	V1.25-S5A	FV1.25-S5A		5.3 (.209)	7.2 (.284)	20.0 (.787)	6.3 (.248)										
1/4	6	V1.25-6A	FV1.25-6A		6.4 (.252)	12.0 (.472)	26.2(1.032)	11.0 (.433)										
16 to 14 (1.04 to 2.63)	5-6	3.5	V2-3A	FV2-3A		3.7 (.146)	3.9 (.154)	4.5 (.177)	8.5 (.335)	21.0 (.827)	7.3 (.287)	9.0 (.354)	0.8 (.031)	Blue	YNT-1614 YA-1 YA-2 YA-4	1,000		
	3-4	3	V2-M3A	FV2-M3A		3.2 (.126)			6.0 (.236)	18.7 (.736)	5.0 (.197)							
	3-4	3	V2-N3A	FV2-N3A		3.2 (.126)			5.9 (.232)	20.0 (.787)	6.3 (.248)							
	5-6	3.5	V2-YS3A	FV2-YS3A		3.7 (.146)			6.4 (.252)	19.6 (.772)	6.3 (.248)							
	5-6	3.5	V2-S3A	FV2-S3A		3.7 (.146)			7.2 (.284)	20.2 (.795)	6.5 (.256)							
	8	4	V2-YS4A	FV2-YS4A		4.3 (.169)			6.4 (.252)	19.6 (.772)	6.3 (.248)							
	8	4	V2-YM4A	FV2-YM4A		4.3 (.169)			6.8 (.268)	19.6 (.772)	6.3 (.248)							
	8	4	V2-S4A	FV2-S4A		4.3 (.169)			7.2 (.284)	20.2 (.795)	6.5 (.256)							
	8	4	V2-4A	FV2-4A		4.3 (.169)			8.5 (.335)	21.0 (.827)	7.3 (.287)							
	10	5	V2-5A	FV2-5A		5.3 (.209)			9.5 (.374)	21.0 (.827)	7.3 (.287)							
	10	5	V2-M5A	FV2-M5A		5.3 (.209)			8.5 (.335)	21.0 (.827)	7.3 (.287)							
1/4	6	V2-6A	FV2-6A		6.4 (.252)	12.0 (.472)	26.2(1.032)	11.0 (.433)										
12 to 10 (2.63 to 6.64)	5-6	3.5	V5.5-S3A	FV5.5-S3A		3.7 (.146)	5.4 (.213)	6.8 (.268)	7.2 (.283)	26.2(1.032)	7.5 (.295)	13.5 (.531)	1.0 (.039)	Yellow	YNT-1210S YA-4	500		
	5-6	3.5	V5.5-3A	FV5.5-3A		3.7 (.146)			9.5 (.374)	26.2(1.032)	7.5 (.295)							
	8	4	V5.5-S4A	FV5.5-S4A		4.3 (.169)			8.5 (.335)	26.2(1.032)	7.5 (.295)							
	8	4	V5.5-4A	FV5.5-4A		4.3 (.169)			9.5 (.374)	26.2(1.032)	7.5 (.295)							
	10	5	V5.5-5A	FV5.5-5A		5.3 (.209)			9.5 (.374)	26.2(1.032)	7.5 (.295)							
	1/4	6	V5.5-6A	FV5.5-6A		6.4 (.252)			13.5 (.532)	32.2(1.268)	12.2 (.480)							
	5/16	8	V5.5-8A	FV5.5-8A		8.4 (.331)			13.5 (.532)	32.2(1.268)	12.2 (.480)							

Note: 1) *The crimping will be more secure if the total cross-sectional area of the wire is at least 0.5 mm².

Examples: If the cross-sectional area of the wire is 0.3mm², fold the wire in two when crimping the terminal. If the cross-sectional area of the wire is 0.5mm², crimp the terminal onto the wire as it is.

2) The part numbers indicated in the above table are for products with a brazed seam. When ordering products with a butted seam, add the prefix "WS" to the part number (ex. V2-4A → VWS2-4A).

3) To order products with nylon insulation, change the "V" in the part number prefix to "N" (ex. V2-4A → N2-4A). Because nylon absorbs moisture, care must be taken concerning storage.