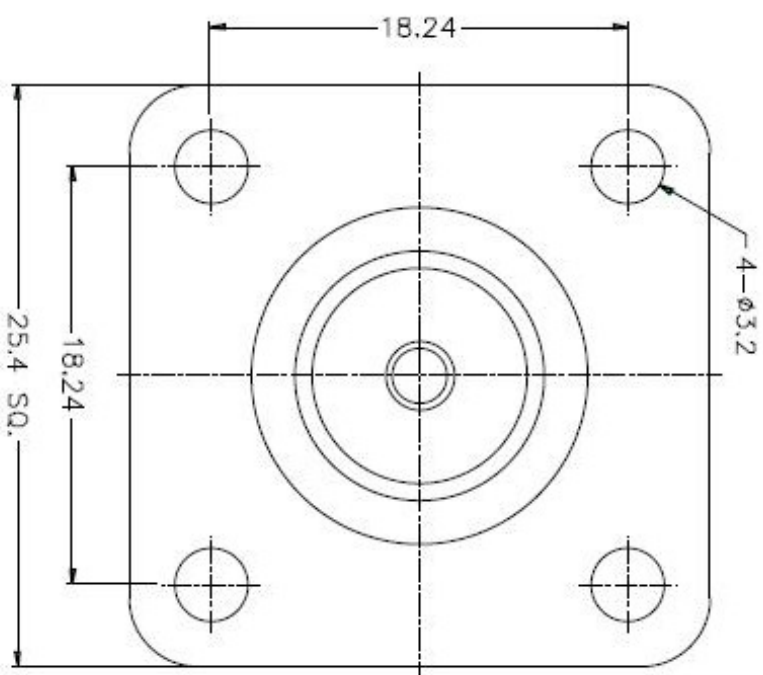
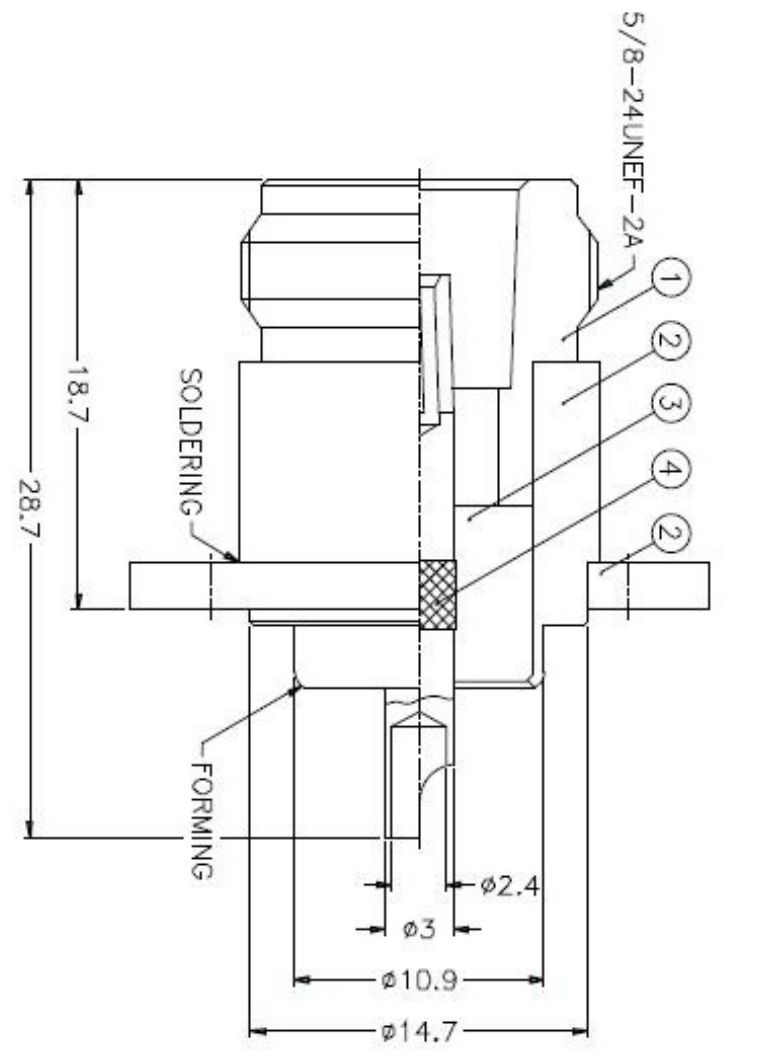


1	2	3	4	5	6	7	8
ISS ZONE		REVISIONS					
		DESCRIPTION \ PER REQUEST \ DATE					



- NOTES: FINISH (PLATING THICKNESS IN MICRO-INCHES)
1. BRASS PER QQ-B-626
 2. NICKEL PL. 100 MIN. THICK OVER COPPER STRIKE
 3. PHOSPHOR BRONZE PER QQ-B-750
 4. GOLD PL. 3 MIN. THICK OVER NICKEL PL. 100 MIN. THICK OVER COPPER STRIKE
 5. PTFE MIL-P-19468

4	CONTRACT PIN	NOTE 3	NOTE 4	1	N6551A1-4-B						
3	INSULATOR	NOTE 5	NATURAL	1	N6551A1-37-50						
2	HOUSING WITH PANEL	NOTE 1	NOTE 2	1	N6551A1-25						
1	BODY	NOTE 1	NOTE 2	1	N7900-4						
NO.	DESCRIPTION	MATERIAL	FINISH	QTY	DRAWING NO.	SCALE	3/1	ISSUE	A	FILE NO.	

DIMENSIONS ARE IN MILLIMETERS
UNLESS OTHERWISE SPECIFIED
TOLERANCES

0.5-6	±0.2
6-30	±0.4
30-120	±0.6
120-315	±1
315-1000	±1.6
1000-2000	±2.4

PART NO.	N6551A1-NT3G-50
APPROVED	DATE
CHECKED	DATE
DRAWN	DATE

Amphenol

TITLE
N PANEL RECEPT. JACK

DRAWING NO.
KJ-N6551A1-NT3G-50

ITEM NO.

A

B

C

D

E

F

1

2

3

4

5

6

7

8