

SPECIFICATIONS

Mechanical

Contact Normal Force: 75g min.
Durability: 100 Cycles
Contact Retention Force: 0.45kg min.

Electrical

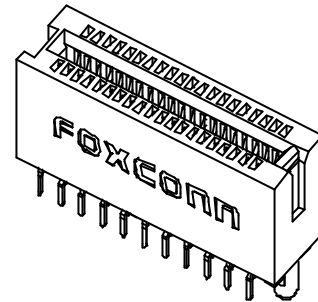
Current Rating: 1.0A, 30? Rise above Ambient
Contact Resistance: 30mW max. initial, 40mW max. after Test
Dielectric Withstand Voltage: 500V min. at Sea Level
Pin to Pin Insulation Resistance: 1000MW min.

Physical

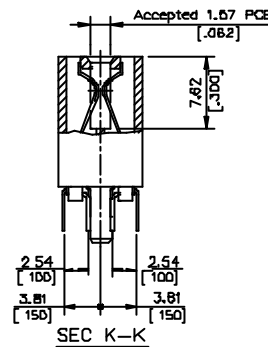
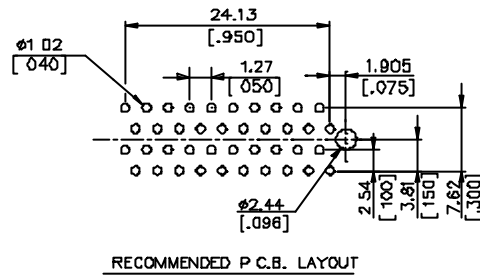
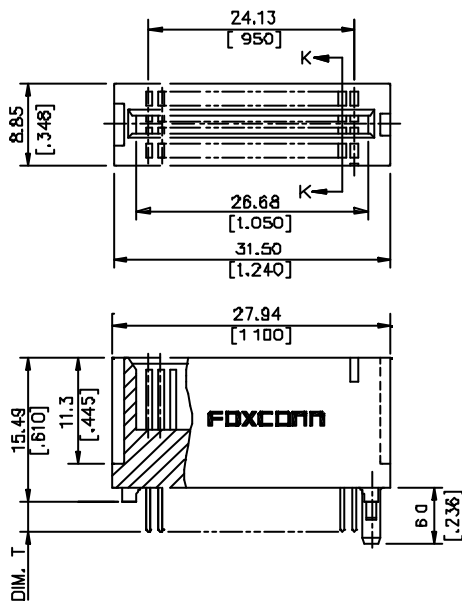
Housing: Thermoplastic, UL 94V-0 rated in White Color
Contact: Copper alloy
Plating: See "ORDERING INFORMATION"
Storage Temperature Range: -55? to +105?

EH Series

Vertical, T/H Type
1.27mm [.050"] Pitch
40 Pos.



DRAWING



ORDERING INFORMATION

PRODUCT NO.: EH 0 20 * * - DAW- **

Series prefix ————
 Cardedge Conn.
 Tail Type ————
 0=Straight
 NO. of pos. ————
 20=40 Pos.
 Tail Length ————
 0=3.18 [.125]
 1=2.54 [.100]

Plating Type
 DN=Tin/Lead
 DF=Lead Free

Extension Code

Gold Plating
 1=Gold Flash
 3=30u" Gold
 7=15u" Gold

EH0201*-DAW-DF	2.54 [.100]
EH0200*-DAW-DF	3.18 [.125]
P/N	DIM.T