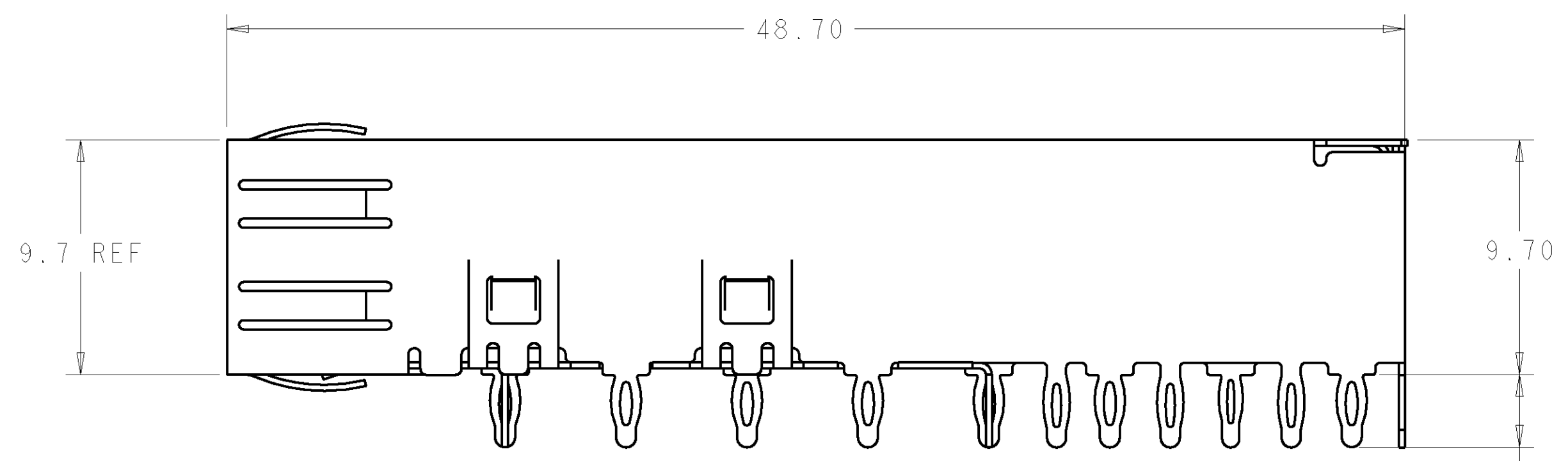
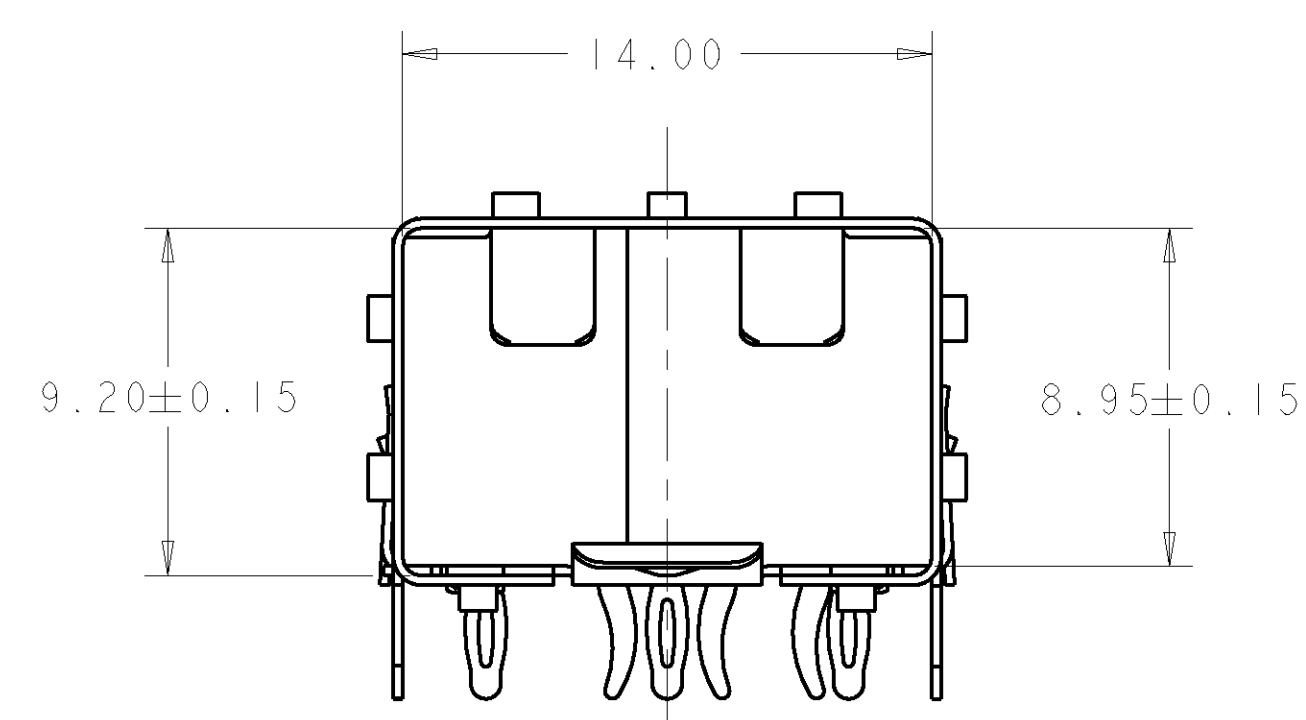
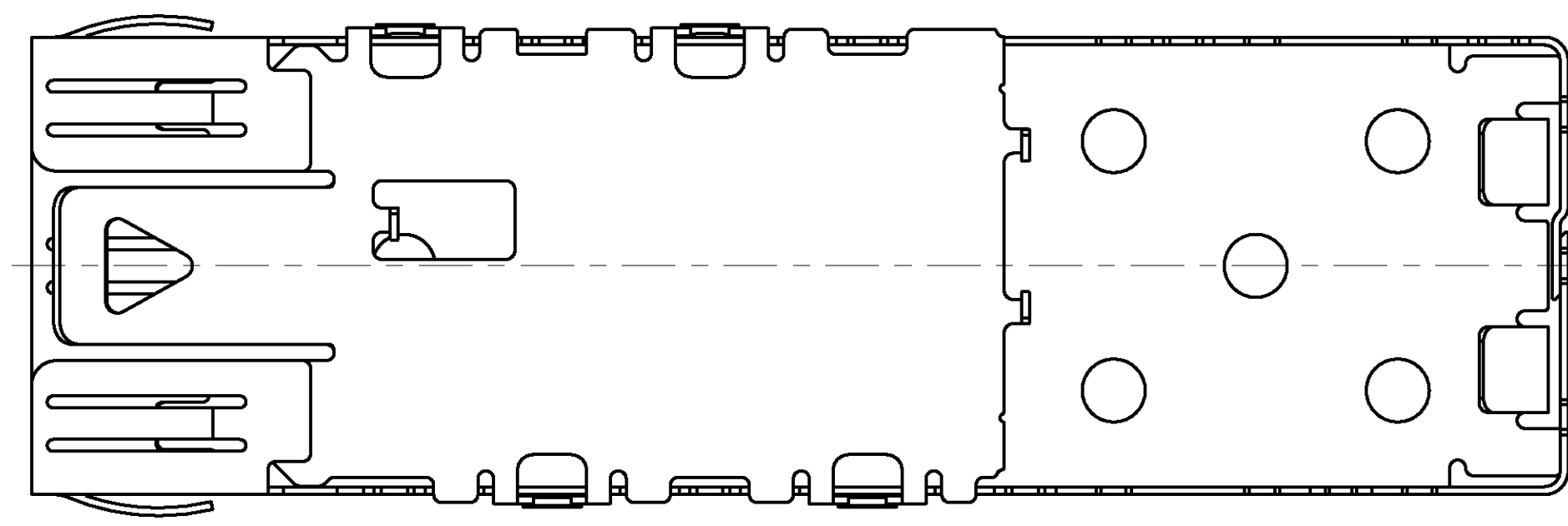
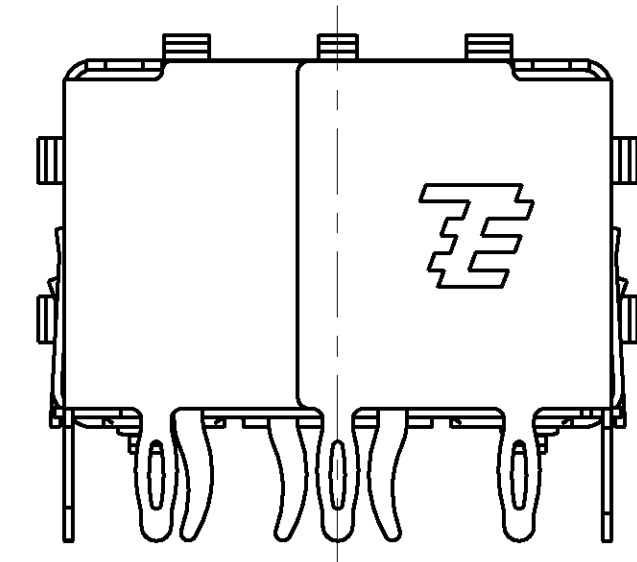


SCALE 4:1



3.00 TYP  
TAIL LENGTH



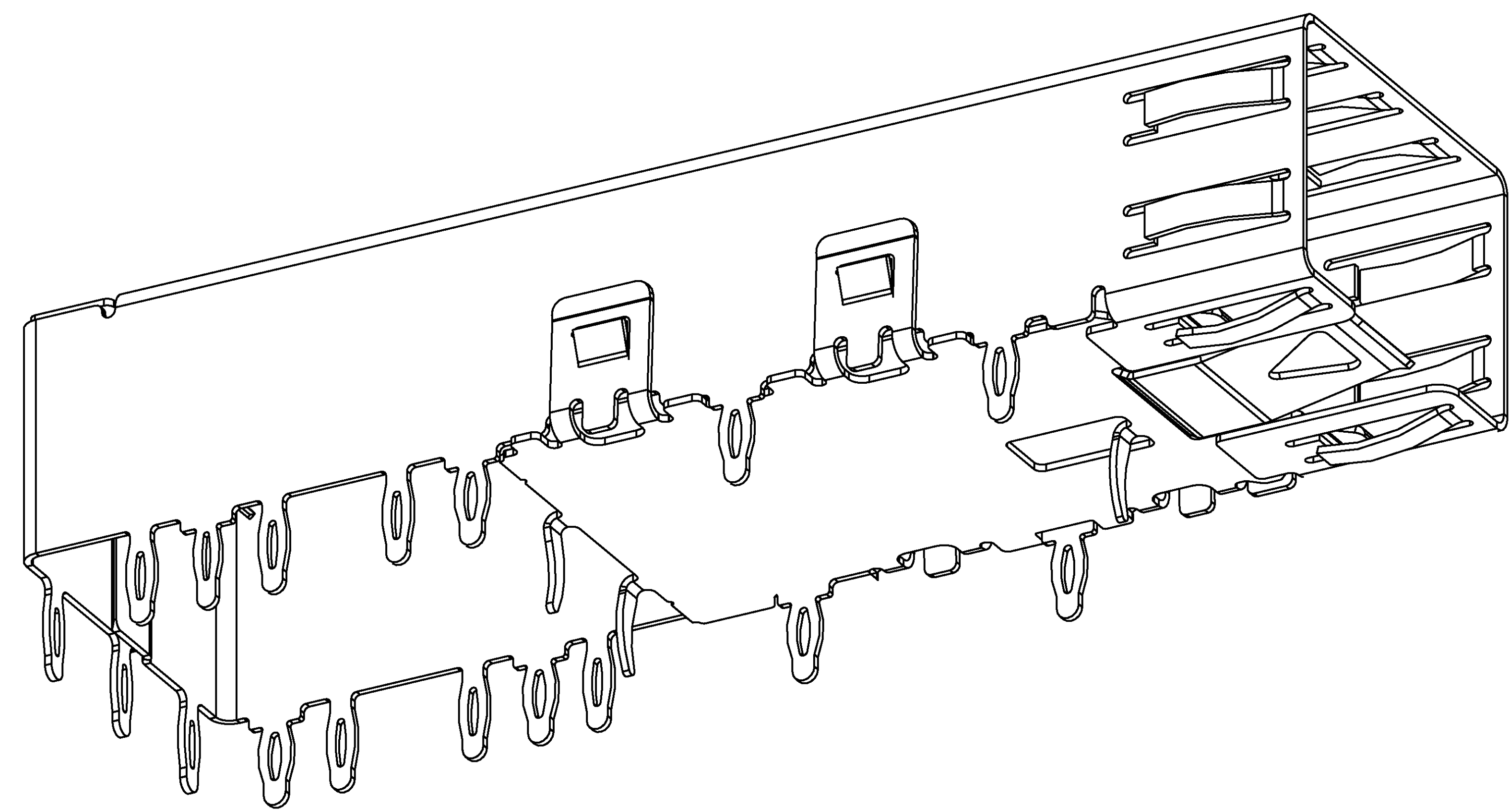
- 1. MATERIAL: 0.25 THICK COPPER ALLOY.
- 2. FINISH: TIN. NONPLATED EDGES PERMISSIBLE.
- 3. SFP MSA COMPATIBLE.
- 4. PADS AND VIAS CHASSIS GROUND.
- 5. DATUM AND BASIC DIMENSION ESTABLISHED BY CUSTOMER.
- 6. MINIMUM PCB BOARD THICKNESS:  
SINGLE SIDED= 1.45  
DOUBLE SIDED STAGGERED= 3.00

AS SHOWN	1489779-1
DESCRIPTION	PART NUMBER

DIMENSIONS: mm 		TOLERANCES UNLESS OTHERWISE SPECIFIED: 3 PLC ± 2 PLC ±0.10 5 PLC ± 4 PLC ± ANGLES ±		DWN M. E. SHIRK 14NOV01 CHK J. KOPPENHEFFER 31MAY02 APVD M. WALMSLEY 31MAY02 NAME PRODUCT SPEC 108-1950 APPLICATION SPEC 114-13120 WEIGHT CUSTOMER DRAWING		SIZE CAGE CODE DRAWING NO. RESTRICTED TO A 100779 C-1489779 SCALE 5:1 SHEET 1 OF 3 REV C3	
MATERIAL:		FINISH:		TE Connectivity <b>STE</b>		CAGE ASSEMBLY, 20 PRESS FIT, SFP	

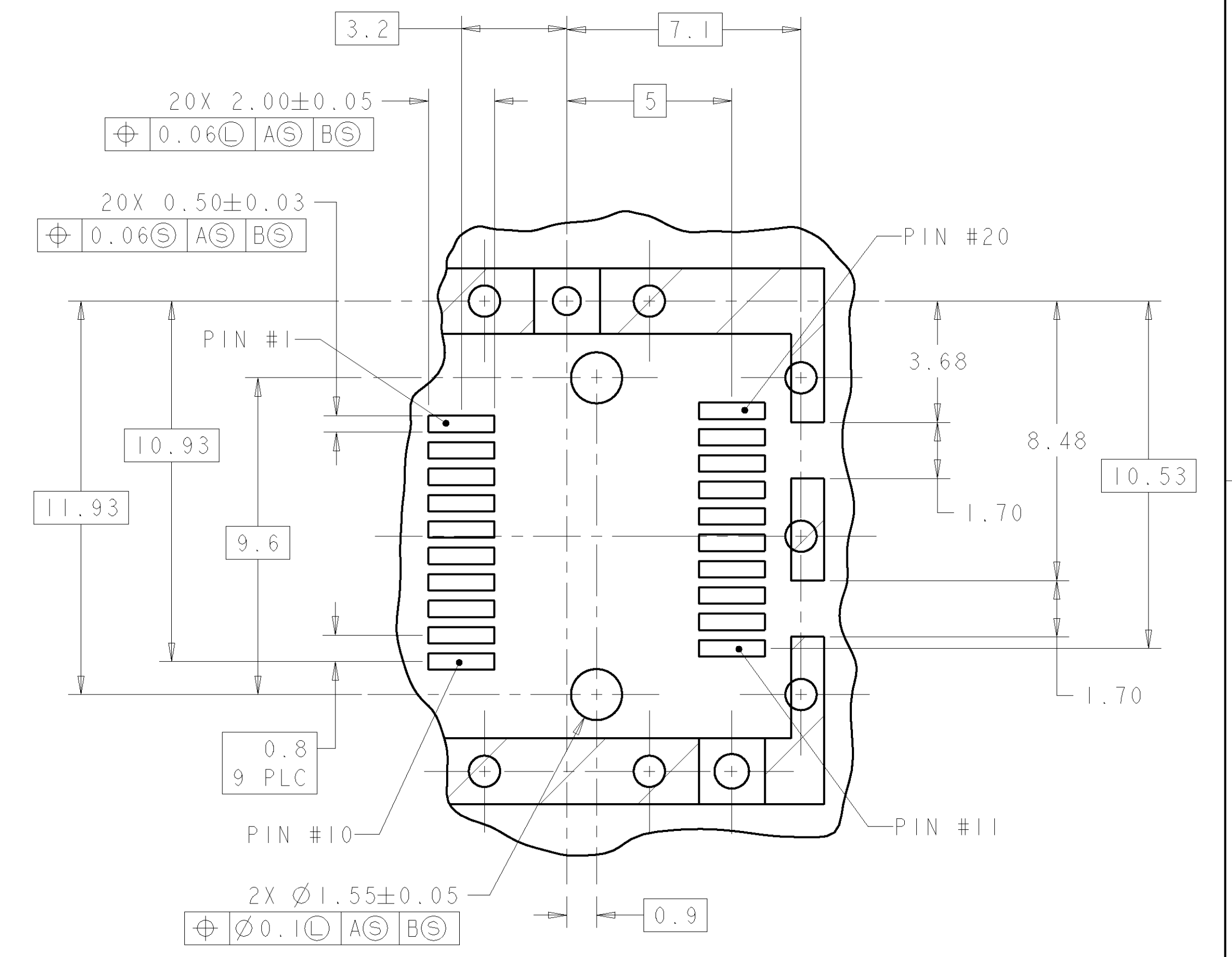
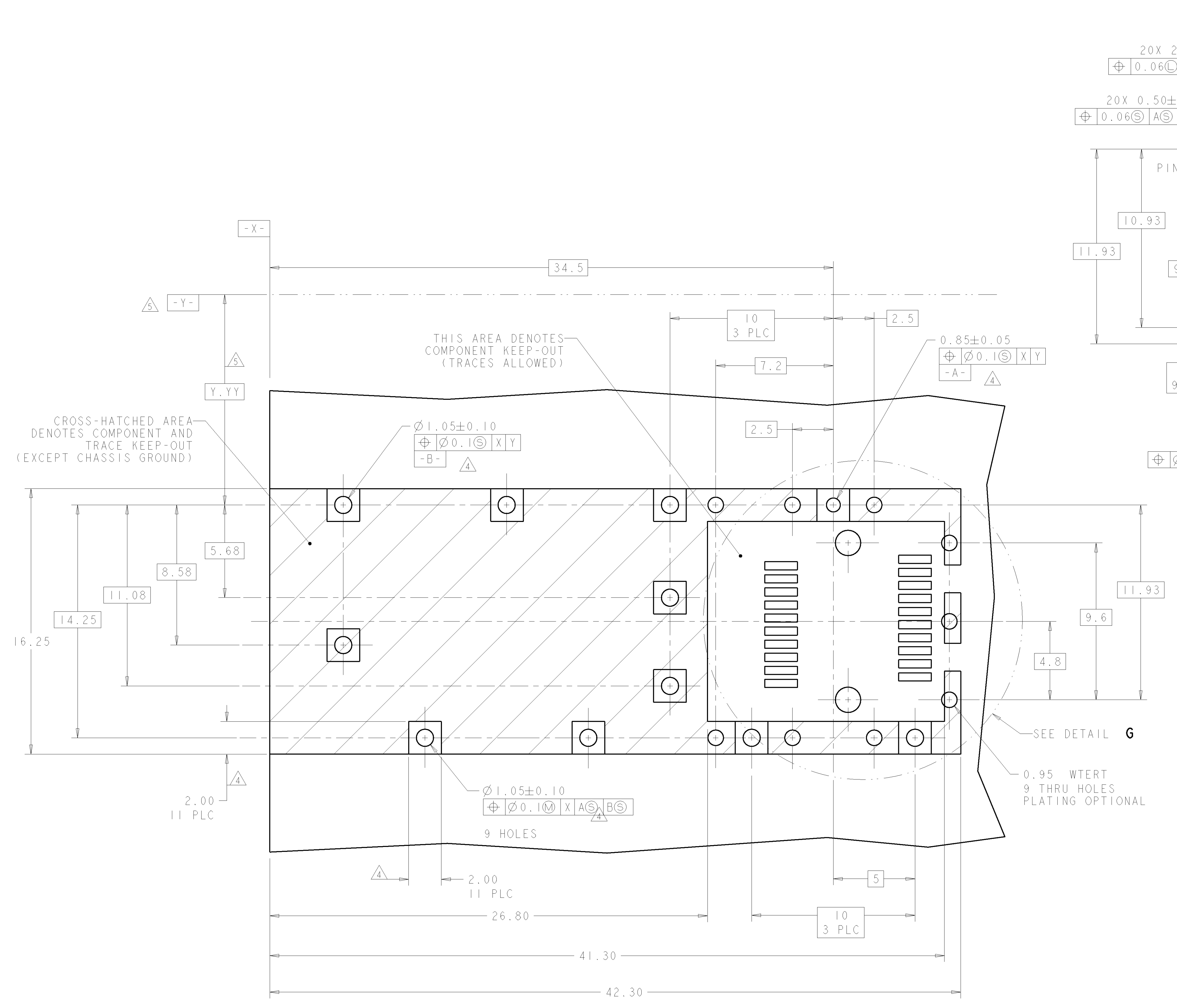
THIS DRAWING IS UNPUBLISHED. RELEASED FOR PUBLICATION  
 © COPYRIGHT ALL RIGHTS RESERVED.

LOC	DIST	REVISIONS			
		REV	DATE	DWN	APVD
GP	00	-	-	-	-
		SEE SHEET 1			



SCALE 8:1

DIMENSIONS: mm		TOLERANCES UNLESS OTHERWISE SPECIFIED: 0 PLC ± 1 PLC ±0.10 2 PLC ± 3 PLC ± 4 PLC ± ANGLES ±		DWN M. E. SHIRK 14NOV01 CHK J. KOPPENHEFFER 31MAY02 APVD M. WALMSLEY 31MAY02		<b>STE</b> TE Connectivity	
		PRODUCT SPEC 108-1950 APPLICATION SPEC 114-13120		NAME CAGE ASSEMBLY, 20 PRESS FIT, SFP		SIZE CAGE CODE DRAWING NO RESTRICTED TO A 100779 C-1489779 -	
MATERIAL - FINISH -		WEIGHT - CUSTOMER DRAWING		SCALE 5:1 SHEET 2 OF 3 REV C3			



DETAIL G  
SCALE 8:1

SEE DETAIL G  
 0.95 WERT  
 9 THRU HOLES  
 PLATING OPTIONAL

RECOMMENDED PCB LAYOUT  
SCALE 8:1

DIMENSIONS:		TOLERANCES UNLESS OTHERWISE SPECIFIED:		DWN: M. E. SHIRK 14NOV01 CHK: J. KOPPENHEFFER 31MAY02 APVD: M. WALMSLEY 31MAY02	
mm	9 PLC ± 5 PLC ±0.10 4 PLC ± ANGLES ±	9 HOLE ± 11 HOLE ± 3 PLC ± 10 3 PLC ±	0.06 0.06 0.85±0.05 0.8 0.9	PRODUCT SPEC: 108-1950 APPLICATION SPEC: 114-13120 WEIGHT:	NAME: M. WALMSLEY 31MAY02 SIZE: CAGE CODE DRAWING NO: A100779 C=1489779 RESTRICTED TO:
MATERIAL:	FINISH:	CUSTOMER DRAWING		SCALE: 5:1	SHEET 3 OF 3 REV C3



CAGE ASSEMBLY,  
20 PRESS FIT, SFP