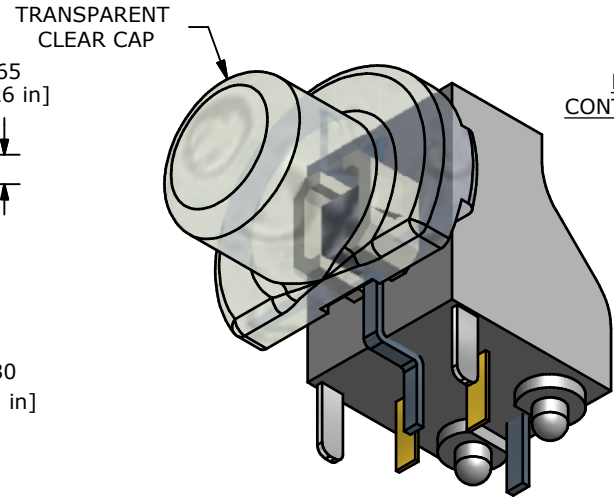
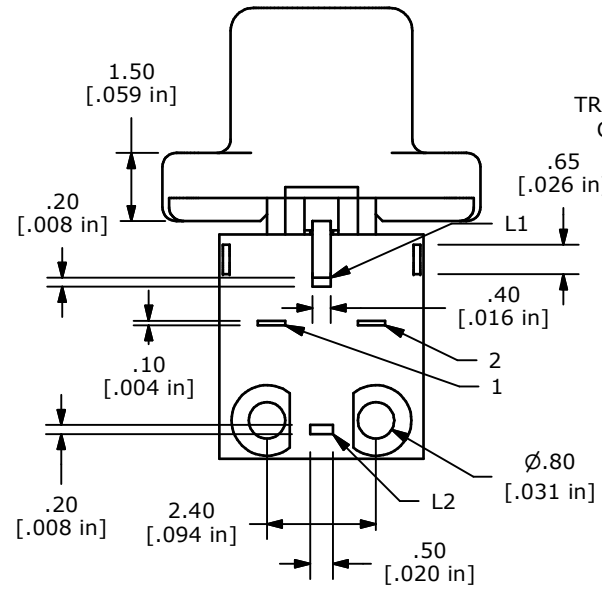


LED SPECS	UNITS	RED
FORWARD CURRENT	mA	20 TYP.
FORWARD VOLTAGE	V	2.0 TYP. - 2.3 MAX.
LUMINOUS INTENSITY	mcd	80 TYP.

- NOTES:
1. ALL DIMENSIONS IN MM [INCH]
 2. GENERAL TOLERANCE: X.X=±0.4
X.XX=±0.25
 3. RATING: 12VDC @ 50mA
 4. CONTACT RESISTANCE: 500mΩ MAX.
 5. INSULATION RESISTANCE: 100MΩ MIN.
 - ▲6. OPERATING FORCE: 160± 50gf
 7. TRAVEL: 0.2±0.1mm
 8. OPERATING TEMPERATURE: -40°C TO 85°C
 9. OPERATING LIFE: 100,000 CYCLES
 - ▲10. LED: RED
 11. ▲ DENOTES CRITICAL PARAMETERS
 12. 2002/95/EC (ROHS) COMPLIANT
 13. SWITCH TERMINAL PLATING: SILVER
 14. DIELECTRIC STRENGTH: 250 VAC FOR ONE MINUTE
 15. PACKAGING: 300 PIECES PER REEL



TITLE TL1270F160REQAT				
SCALE	DATE 4/8/2013	DR EBP	DWG N325004	REV A

A	21107	INITIAL RELEASE	4/17/13	EBP
REV	PCR NO	DESCRIPTION	DATE	BY
THE INFORMATION CONTAINED IN THIS DOCUMENT IS PROPRIETARY TO E-SWITCH AND IS NOT TO BE COPIED OR TRANSFERRED				