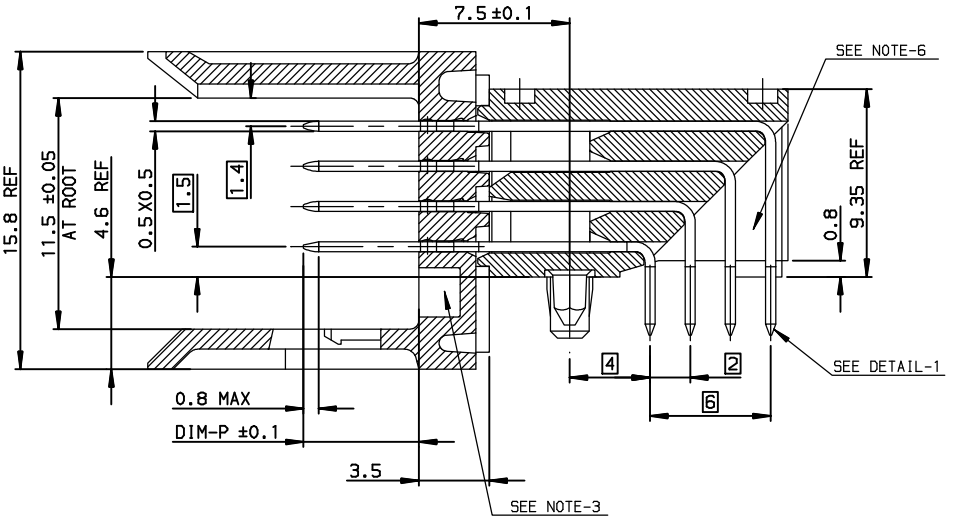


8 MODULE SIZE

SECTION-A SCALE: 4/1



GENERAL CHARACTERISTICS AND ROHS INFORMATIONS:
SEE DRAWING C-8626-0005

- NORMINATIVE REF = IEC-61076-4-104
- NOTE-2: ONE CENTER PEG FOR HOLD DOWN FORCE
- NOTE-3: CODING RECESS FOR 8MM EXTENDED KEYS
- NOTE-4: PRODUCT MARKING = FCI + BATCH CODE + PRODUCT NUMBER
FOR 8 MODULE SIZE, ADD CSA LOGO MARKING
- NOTE-5: PLATING ON MATING PART : GOLD OVER NICKEL (SEE PERFORM LEVEL)
PLATING ON SOLDER TAILS: TIN LEAD OVER NICKEL
- NOTE-6: CENTRAL WALL WITH END REAR SUPPORT
- NOTE-7: PACKAGING IN TRAY + COVER
QTY/TRAY = 15 ; QTY PER CATOON BOX = 15 X 6 = 90 PCS

OTHERS INFORMATIONS, SEE DRW C-8626-0157-2

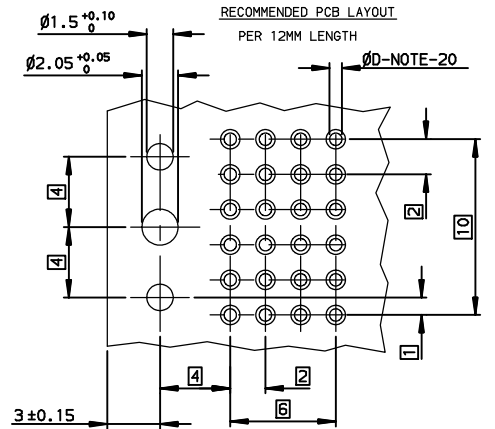
European Views

www.fciconnect.com		surface ISO 1302 ✓	tolerance std ISO 406 ISO 1101	projection mm
TOLERANCES UNLESS OTHERWISE SPECIFIED				
Dr	CHAMPION	1995/01/25	ANGULAR	LINEAR
Eng	LENOIR	1995/01/25	0.x	±0.1
Chr	LEGARE	1995/01/25	0.xx	±0.1
Appr	LEGARE	1995/01/25	0.xxx	±0.1
Product family			METRAL	
title		METRAL RA HDR WB CONVERGE		size
4x48 CTS - STB PUSH PEG		A3		Scale
catalog no		-		ECN
-		-		LS06-0097
-		-		Spec ref
-		-		-
FCI logo			Rev.	H
C-8626-0157-1			sheet 1 of 1	

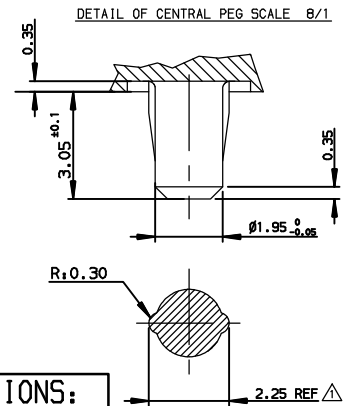
rev	ecn no	dr	date
F	-	CHA	2003/07/03
G	LS05-0056	LGO	2005/05/02
H	LS06-0097	LGO	2006/07/21
-	-	-	-
-	-	-	-
-	-	-	-

Copyright FCI

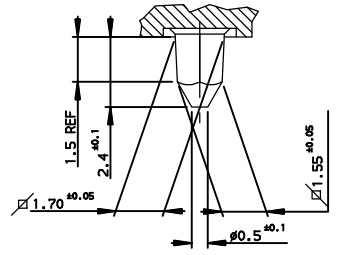
PART NUMBER / CONTACT LOADING									
DIM-P ±0.10				DIM-D ±0.3	TIN LEAD PART NUMBER AND PERFORMANCE LEVEL		LEAD FREE PART NUMBER AND PERFORMANCE LEVEL		SP N°
ROW-A	ROW-B	ROW-C	ROW-D		IEC CLASS-1	TELCORDIA-CO	IEC CLASS-1	TELCORDIA-CO	
5.00	5.00	5.00	5.00	TABLE-2	HM1L44AxP000H6P	HM1L44AxP040HOP	HM1L44AxP000H6PLF	HM1L44AxP040HOPLF	110
5.75	5.75	5.75	5.75	TABLE-2	HM1L44LxP000H6P	HM1L44LxP040HOP	HM1L44LxP000H6PLF	HM1L44LxP040HOPLF	
6.50	6.50	6.50	6.50	TABLE-2	HM1L44DxP000H6P	HM1L44DxP040HOP	HM1L44DxP000H6PLF	HM1L44DxP040HOPLF	
6.50	5.00	5.00	5.00	TABLE-2	HM1L44BxP000H6P	HM1L44BxP040HOP	HM1L44BxP000H6PLF	HM1L44BxP040HOPLF	
6.50	5.75	5.75	6.50	TABLE-2	HM1L44CxP000H6P	HM1L44CxP040HOP	HM1L44CxP000H6PLF	HM1L44CxP040HOPLF	
5.00	5.00	6.50	5.00	TABLE-2	HM1L44ZxP110H6P	(NEW SP NUMBER)	HM1L44ZxP110H6PLF	(NEW SP NUMBER)	
5.00	5.75	6.50	5.00	TABLE-2	HM1L44ZxP430H6P	(NEW SP NUMBER)	HM1L44ZxP430H6PLF	(NEW SP NUMBER)	
5.00	5.75	5.00	5.00	TABLE-2	HM1L44ZxP448H6P	(NEW SP NUMBER)	HM1L44ZxP448H6PLF	(NEW SP NUMBER)	
5.75	5.00	5.00	5.00	TABLE-2	HM1L44ZxP009H6P	(NEW SP NUMBER)	HM1L44ZxP009H6PLF	(NEW SP NUMBER)	
5.75	6.50	5.75	5.00	TABLE-2	HM1L44ZxP424H6P	(NEW SP NUMBER)	HM1L44ZxP424H6PLF	(NEW SP NUMBER)	
6.50	5.75	6.50	5.75	TABLE-2	HM1L44ZxP037H6P	(NEW SP NUMBER)	HM1L44ZxP037H6PLF	(NEW SP NUMBER)	
6.50	5.75	5.00	5.75	TABLE-2	HM1L44ZxP102H6P	(NEW SP NUMBER)	HM1L44ZxP102H6PLF	(NEW SP NUMBER)	
6.50	6.50	6.50	5.75	TABLE-2	HM1L44ZxP135H6P	(NEW SP NUMBER)	HM1L44ZxP135H6PLF	(NEW SP NUMBER)	
6.50	5.75	5.75	5.75	TABLE-2	HM1L44ZxP369H6P	(NEW SP NUMBER)	HM1L44ZxP369H6PLF	(NEW SP NUMBER)	



NOTE-20, PTH DIMENSIONS - ØD
 - DRILL DIAMETER = 0.85 REF
 - DRILLED HOLE = Ø0.86 - Ø0.81
 - FINISH HOLE = Ø0.65 - Ø0.80



DETAIL OF LOCATING PEGS (2x) SCALE 8/1



REV F - 2006-04-17

DIM-D=2.9 / replace 'x' by 'A' in the P/N
 DIM-D=3.7 / replace 'x' by 'B' in the P/N

TABLE-2

OTHERS INFORMATIONS, SEE DRW C-8626-0157-1
 STANDARD MATING LENGTHS = 5.75 (AND 5.00-6.50)
 STANDARD TERMINATION LENGTH = 2.90

rev	ecn no	dr	date
E	-	CHA	2003/03/17
G	LS05-0056	LGO	2005/05/02
H	LS06-0097	LGO	2006/07/21
-	-	-	-
-	-	-	-
-	-	-	-
-	-	-	-

GENERAL CHARACTERISTICS AND ROHS INFORMATIONS:
 SEE DRAWING C-8626-0005

European Views

www.fciconnect.com		surface ISO 1302 ✓	tolerance std ISO 406 ISO 1101	projection mm
TOLERANCES UNLESS OTHERWISE SPECIFIED				
Dr	CHAMPION	1995/01/25	0.x ±0.1	size A3
Eng	LENOIR	1995/01/25	0.xx ±0.1	Scale 4:1
Chr	LEGARE	1995/01/25	0.xxx ±0.1	ECN LS06-0097
Appr	LEGARE	1995/01/25	Product family METRAL	Spec ref -
FCI		title METRAL RA HDR WB CONVERGE		Rev. H
catalog no		4x48 CTS- STB - PUSH PEG		chg no C-8626-0157-2
		CUSTOMER		sheet 1 of 1