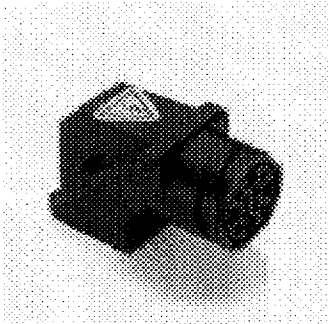
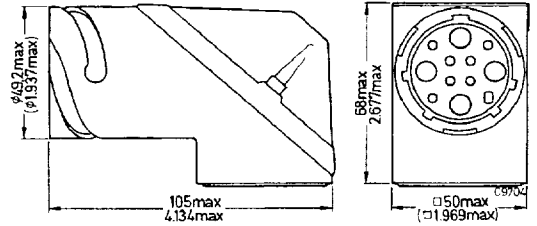


Receptacle 90°



CGL60A28-11P-E1D-B-01

CGL60A28-11P designates a 90° receptacle. It mates with plugs CGL66PG28-11S.



Materials

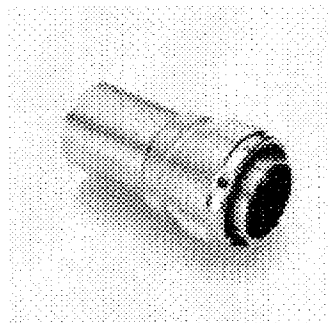
- Shell, cap
- Pin contact, grounding contact
- Screw
- Grounding screw
- Insulator
- Retaining
- O Ring
- Protection cap

- Aluminum alloy, zinc plated, with black chromate
- Copper alloy, silver plated and passivated
- Steel, zinc plated, with black chromate
- Steel, nickel plated
- PBTP
- PBTB
- FKM Elastomere
- Polyethylene

Contact arrangement

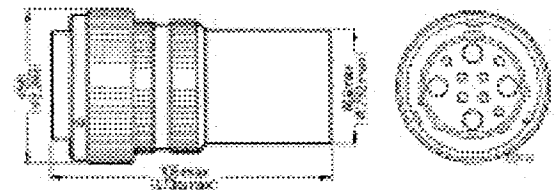
- 11 pin contacts
- (1 grounding contact size 12, 3 contacts size 12, 7 contacts size 16)

Straight Plug



CGL66PG28-11S-E1D-B-01

CGL66PG28-11S...designates a straight plug. It can be mated with receptacle CGL60A28-11P and straight plugs CGL61PG28-11P and CGL62A28-11P.



Materials

- Shell, adapter, coupling nut
- Socket contact, grounding contact
- Spring ring
- Grounding screw
- Insulator
- Retaining
- O Ring, Sealing

- Aluminum alloy, nickel plated
- Copper alloy, silver plated and passivated
- Stainless steel
- Steel
- PBTP
- PBTB
- FKM Elastomere

Contact Arrangement

- 11 socket contacts
- (1 grounding contact size 12, 3 contacts size 12, 7 contacts size 16)