

DIMM Connector

SPECIFICATIONS

Mechanical

Contact Retention Force: 0.75Lbs (0.34kg) min.
Durability: 25 Cycles
Vibration: Pass MIL-STD-1344A, method 2005

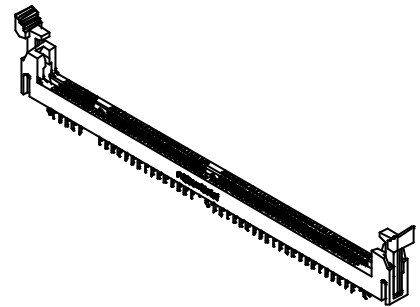
Electrical

Voltage Rating: 250V
Current Rating: 1.0A max.
Contact Resistance: 30mW max.
Dielectric Withstanding Voltage: 1000V
Insulation Resistance: 1000MW min.

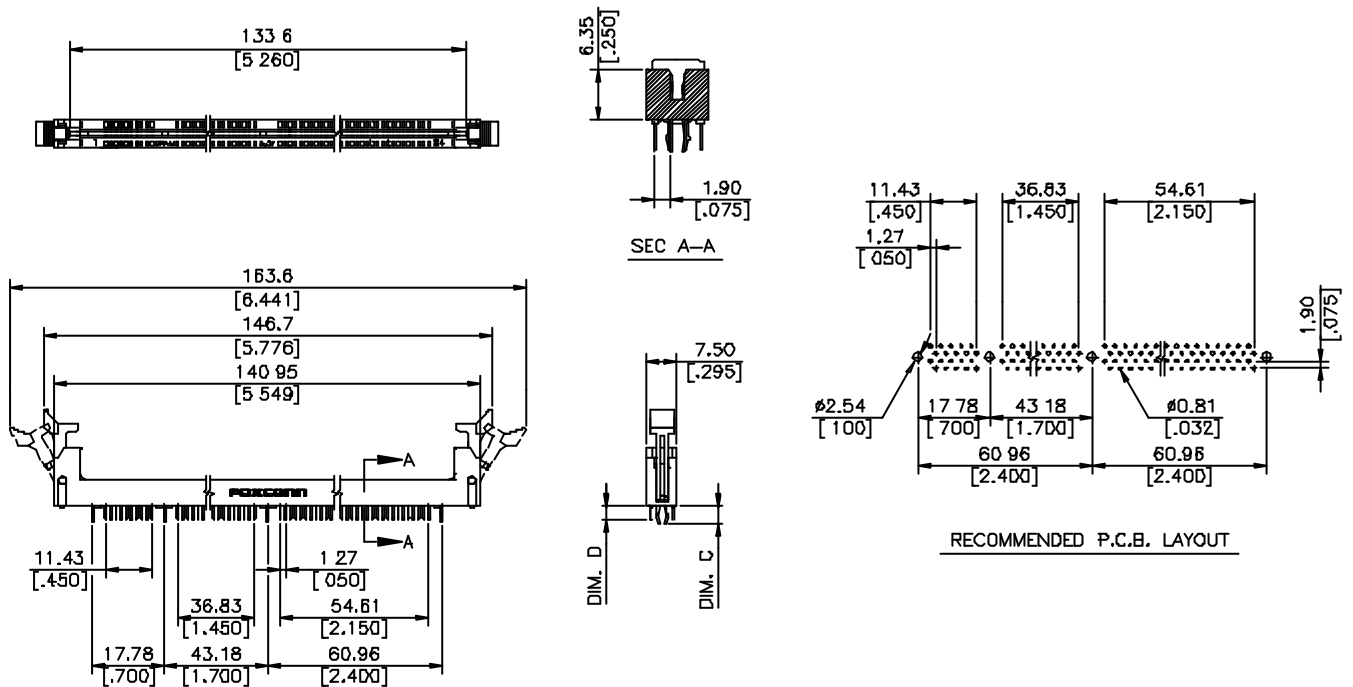
Physical

Housing: Thermoplastic, UL 94V-0 rated in Black Color
Ejector Lever: Thermoplastic, UL 94V-0 rated in Ivory Color
Contact: Copper alloy
Metal Hold Down: Stainless steel
Operating Temperature: -55 to +105

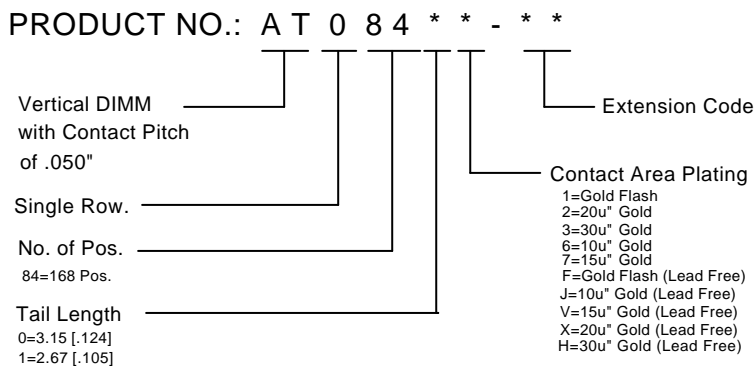
AT084 Series
Vertical, T/H Type
1.27mm [.050"] Pitch
168 Pos.



DRAWING



ORDERING INFORMATION



AT084*-N2	168	3.3V	3.78 [.149]	3.15 [.124]
P/N	POS.	VOLTAGE MARKING	DIM. C	DIM. D

All specification & dimensions are subject to change, please call your nearest Foxconn sales representative for update information.