

DIMM Connector

SPECIFICATIONS

Mechanical

Contact Retention Force: 0.75Lbs (0.34kg) min.
Durability: 25 Cycles
Dram Board Insertion Force: 3 oz max. per Contact

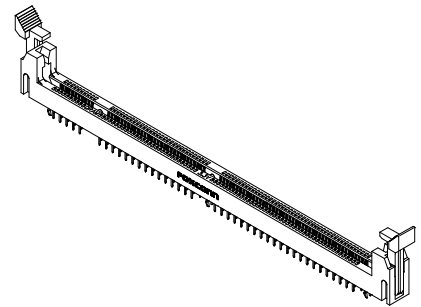
Electrical

Voltage Rating: 250VAC
Current Rating: 1.0A max., 30°C max., in Temperature Rise
Low Level Contact Resistance: 30mΩ max.
Dielectric Withstanding Voltage: 1000VAC at Sea Level
Insulation Resistance: 1000MΩ min. initial

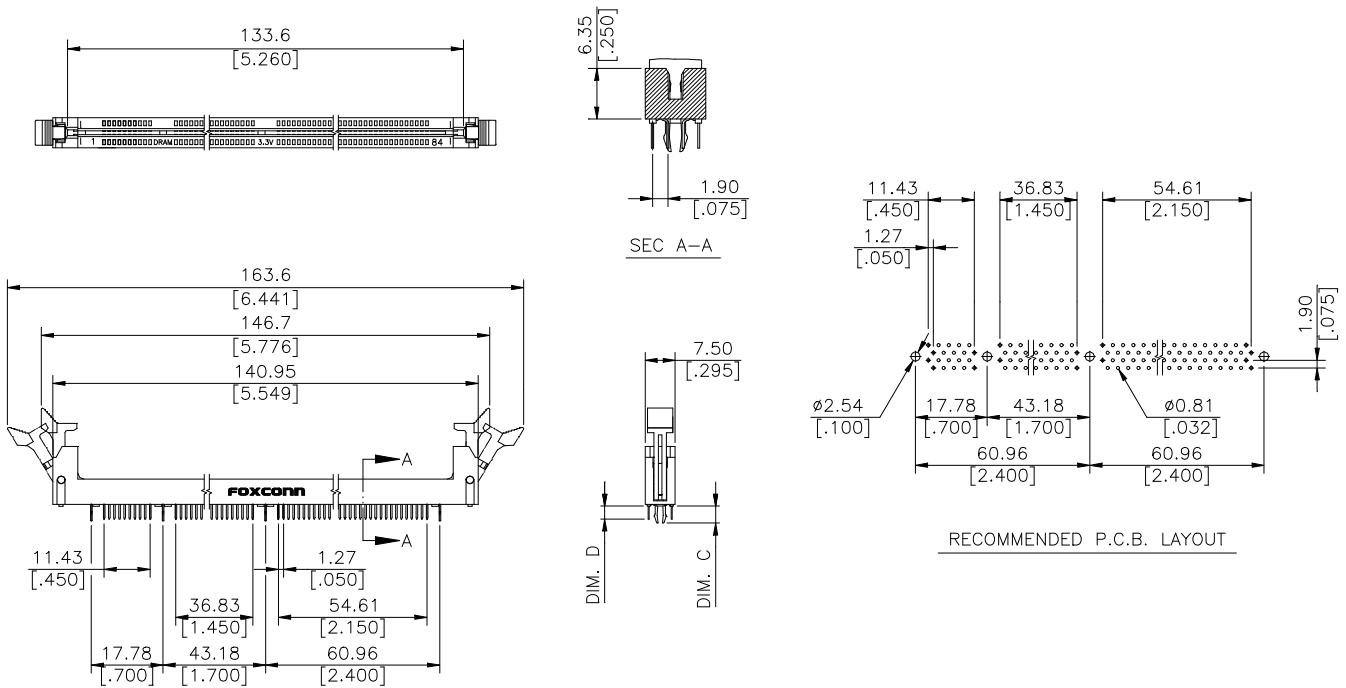
Physical

Housing: Thermoplastic, UL 94V-0 rated in Black Color
Ejector: Thermoplastic, UL 94V-0 rated in Ivory or Natural Color
Contact: Copper alloy
Metal Hold Down: Copper alloy
Operating Temperature: -55°C to +105°C

AT084 Series
Vertical, T/H Type
1.27mm [.050"] Pitch
168 Pos.



DRAWING



ORDERING INFORMATION

PRODUCT NO.: A T 0 8 4 * * - * * * - * *

Vertical DIMM
with Contact Pitch
of .050"

Single Row.

No. of Pos.
84=168 Pos.

Tail Length
0=3.15 [.124]
1=2.67 [.105]

Contact Area Plating
1=Gold Flash
2=20u" Gold
3=30u" Gold
6=10u" Gold
7=15u" Gold

Plating Type
4N=Tin/Lead
4F=Lead Free

Extension Code

AT0840*-D2-4F	168	3.3V	3.78 [.149]	3.15 [.124]
AT0841*-D2-4F	168	3.3V	3.22 [.127]	2.67 [.105]
P/N	POS.	VOLTAGE MARKING	DIM. C	DIM. D