

## ■ General Description

The AME8852A family of positive, CMOS linear regulators provide low dropout voltage(110mV@150mA), low quiescent current, and low noise CMOS LDO. These rugged devices have both Thermal Shutdown, and Current limit to prevent device failure under the "Worst" of operating conditions.

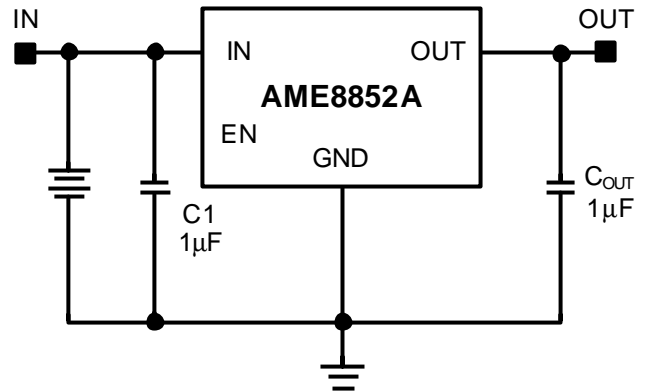
## ■ Features

- Low Dropout Voltage: 110mV@150mA
- Guaranteed Current: 150mA
- Quiescent Current: 60μA (typ.)
- Over-Temperature Shutdown
- Current Limiting protection
- PSRR: 60dB@10KHz
- Ultra-Low-Noise: 100μV<sub>RMS</sub> at 1Hz to 100KHz
- Low Temperature Coefficient
- Input Voltage Range: 2.5V~5.5V
- Output Voltage Range: 0.8V~4.3V
- Green Products Meet RoHS Standards

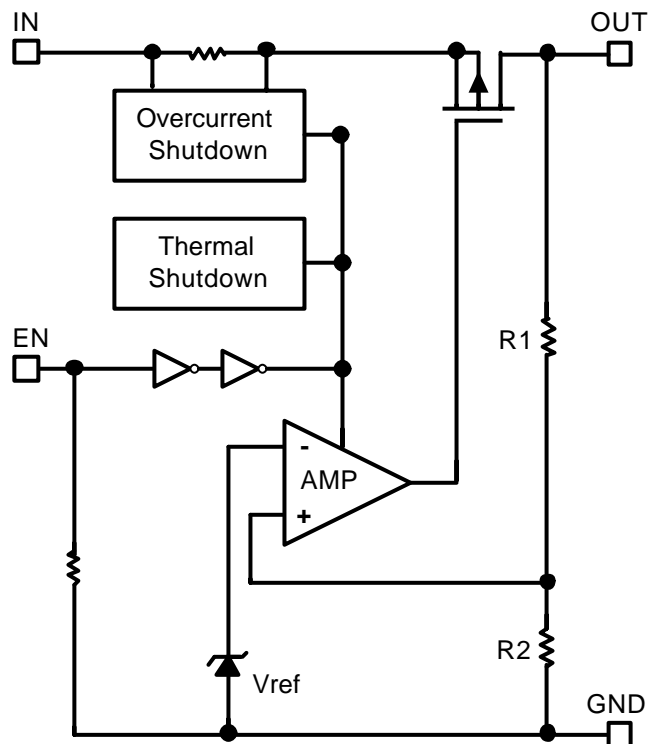
## ■ Applications

- Instrumentation
- Portable Electronics
- Wireless Devices
- Cordless Phones
- PC Peripherals
- Battery Powered Widgets

## ■ Typical Application



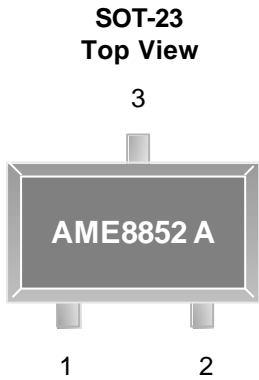
## ■ Functional Block Diagram



## AME8852A

### ■ Pin Configuration

#### 3 Pin

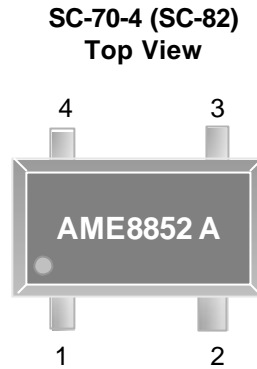


**AME8852-AETxxx**

1. GND
2. OUT
3. IN

\* Die Attach:  
Non-Conductive Epoxy

#### 4 Pin

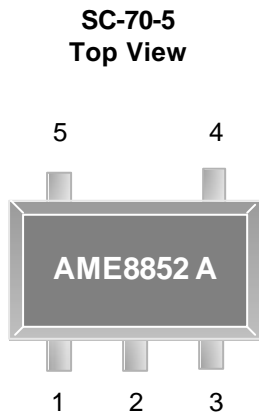


**AME8852-AIUxxx**

1. EN
2. GND
3. OUT
4. IN

\* Die Attach:  
Conductive Epoxy

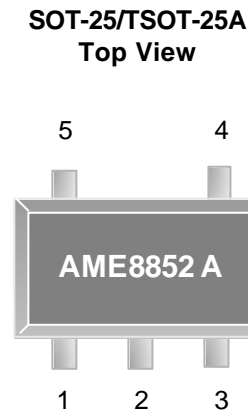
#### 5 Pin



**AME8852-AIVxxx**

1. IN
2. GND
3. EN
4. NC
5. OUT

\* Die Attach:  
Conductive Epoxy



**AME8852-AEVxxx**

1. IN
2. GND
3. EN
4. NC
5. OUT

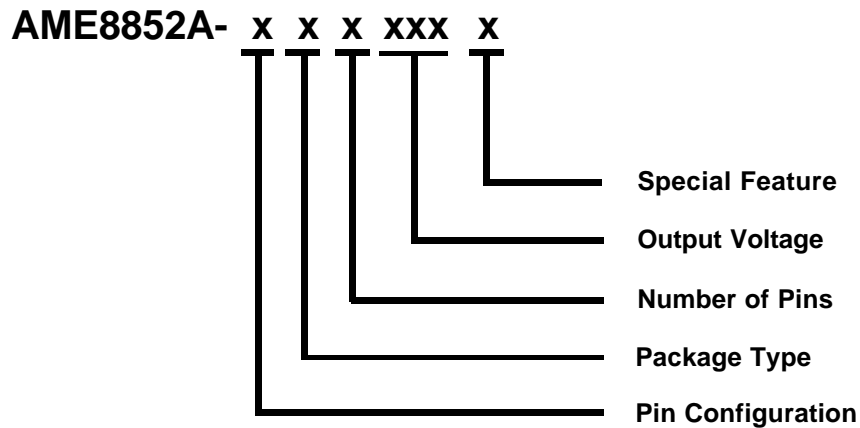
\* Die Attach:  
Conductive Epoxy



AME8852A

■ Pin Description

Pin Number			Pin Name	Pin Description
SOT-23	SC-70-4 (SC-82)	SC-70-5/ SOT-25/ TSOT-25A		
N/A	1	3	EN	Enable pin, Active "high". When pulled "low", the PMOS pass transistor turns off, current consuming less than 1µA. When EN pin floating outside, it's weakly pulled low by internal small current source.
N/A	N/A	4	NC	No connection.
1	2	2	GND	Ground connection pin.
2	3	5	OUT	LDO voltage regulator output pin; should be decoupled with a 1µF or greater capacitor.
3	4	1	IN	Input voltage pin; should be decoupled with 1µF or greater capacitor.

**AME8852A**
**■ Ordering Information**


Pin Configuration	Package Type	Number of Pins	Output Voltage	Special Feature
<b>A</b> <small>(SC-70-4)</small> 1. EN 2. GND 3. OUT 4. IN	E: SOT-2X I: SC-70 (SC-82)	T: 3 U: 4 V: 5	080: 0.8V 090: 0.9V 100: 1.0V 110: 1.1V 120: 1.2V 130: 1.3V 140: 1.4V 150: 1.5V : : : : 420: 4.2V 430: 4.3V	N/A: SOT-2X K: 0.9mm max height (for TSOT-2XA Only)
<b>A</b> <small>(SC-70-5)</small> 1. IN 2. GND 3. EN 4. NC 5. OUT				
<b>A</b> <small>(SOT-25)</small> <small>(TSOT-25A)</small> 1. IN 2. GND 3. EN 4. NC 5. OUT				
<b>A</b> <small>(SOT-23)</small> 1. GND 2. OUT 3. IN				



AME

## High PSRR, Low Noise, 150mA CMOS Regulator

AME8852A

### ■ Absolute Maximum Ratings

Parameter		Maximum	Unit
Input Voltage		-0.3 to 6	V
Output Current		$P_D/(V_{IN}-V_{OUT})$	mA
Output Voltage		GND-0.3 to $V_{IN}+0.3$	V
ESD Classification	HBM	2	kV
	MM	200	V

### ■ Recommended Operating Conditions

Parameter	Symbol	Rating	Unit
Ambient Temperature Range	$T_A$	- 40 to +85	°C
Junction Temperature Range	$T_J$	- 40 to +125	°C
Storage Temperature Range	$T_{STG}$	- 65 to +150	°C

**AME8852A**
**■ Thermal Information**

Parameter	Package	Die Attach	Symbol	Maximum	Unit
Thermal Resistance* (Junction to Case)	SC-70-5	Conductive Epoxy	$\theta_{JC}$	224	°C / W
	SC-70-4(SC-82)			81	
	SOT-25			81	
	TSOT-25A			140	
	SOT-23	Non-Conductive Epoxy			
Thermal Resistance (Junction to Ambient)	SC-70-5	Conductive Epoxy	$\theta_{JA}$	331	°C / W
	SC-70-4(SC-82)			260	
	SOT-25			230	
	TSOT-25A			280	
	SOT-23	Non-Conductive Epoxy			
Internal Power Dissipation	SC-70-5	Conductive Epoxy	$P_D$	300	mW
	SC-70-4(SC-82)			400	
	SOT-25			455	
	TSOT-25A			400	
	SOT-23	Non-Conductive Epoxy			
Lead Temperature (Soldering, 10Sec.)**				260	°C

\* Measure  $\theta_{JC}$  on backside center of molding compound if IC has no tab.

\*\* MIL-STD-202G 210F

**AME8852A**
**■ Electrical Specifications**

$V_{IN}=V_{OUT(NOM)}+1V$ , (for  $V_{OUT}<2V$ ,  $V_{IN}=2.5V$ ),  $I_{OUT}=1mA$ , and  $C_{OUT}=1\mu F$ ,  $C_{IN}=1\mu F$  unless otherwise noted.  
Typical values are at  $T_A=25^\circ C$ .

Parameter	Symbol	Test Condition	Min	Typ	Max	Units
Input Voltage	$V_{IN}$		2.5		5.5	V
Output Accuracy	$V_{OUT,ACC}$	$I_{OUT}=1mA$	-2.0		2.0	%
Output Voltage Range	$V_{OUT}$		0.8		4.3	V
Dropout Voltage (Note 1)	$V_{DROP}$	$I_{OUT}=150mA$ , $0.8V < V_{OUT(NOM)} < 1.9V$			Note2	mV
		$I_{OUT}=150mA$ , $1.9V < V_{OUT(NOM)} < 2.4V$			400	
		$I_{OUT}=150mA$ , $2.4V < V_{OUT(NOM)} < 2.8V$			300	
		$I_{OUT}=150mA$ , $2.8V < V_{OUT(NOM)}$		110	230	
Output Current	$I_{OUT}$		150			mA
Quiescent Current	$I_Q$	$I_{OUT}=0mA$		60	90	$\mu A$
Line Regulation $\frac{\Delta V_{OUT}}{\Delta V_{IN}} \times 100\%$ $\frac{\Delta V_{OUT}}{V_{OUT}}$	$REG_{LINE}$	$I_{OUT}=1mA$ , $0.8V < V_{OUT} < 1.2V$ , $2.5V < V_{IN} < 3.5V$		0.125	0.25	%V
		$I_{OUT}=1mA$ , $1.2V < V_{OUT} < 2.0V$ , $2.5V < V_{IN} < 3.5V$		0.1	0.2	
		$I_{OUT}=1mA$ , $2.0V < V_{OUT} < 4.2V$ , $V_{IN(MIN)} < V_{IN} < V_{IN(MIN)}+1V$		0.05	0.1	
		$I_{OUT}=1mA$ , $4.2V < V_{OUT} < 4.5V$ , $V_{IN(MIN)} < V_{IN} < 5.5V$		0.05	0.1	
Load Regulation $\frac{\Delta V_{OUT}}{V_{OUT}} \times 100\%$ $\frac{\Delta V_{OUT}}{\Delta I_{OUT}}$	$REG_{LOAD}$	$1mA < I_{OUT} < 150mA$ $0.8V < V_{OUT(NOM)} < 1.2V$		2.5	5	%A
		$1mA < I_{OUT} < 150mA$ $1.2V < V_{OUT(NOM)} < 2.0V$		1.7	4	
		$1mA < I_{OUT} < 150mA$ $2.0V < V_{OUT(NOM)}$		1.0	3	

**AME8852A**
**■ Electrical Specifications**

Parameter	Symbol	Test Condition	Min	Typ	Max	Units	
Power Supply Rejection Ratio	PSRR	$C_{OUT}=1\mu F, V_{OUT}=1V$ $I_{OUT}=10mA$ $V_{IN}=2.8V$	F=100Hz		60		dB
			F=1KHz		60		
			F=10KHz		60		
Output Voltage Noise	eN	$I_{OUT}=10mA, V_{OUT}=0.8V,$ $f=1Hz \text{ to } 100KHz$		100		$\mu V_{RMS}$	
Enable High(enabled)	$V_{EN,HI}$	$V_{IN(MIN)}$ $V_{IN}$ 5.5V	1.4		$V_{IN}$	V	
Enable Low (shutdown)	$V_{EN,LO}$	$V_{IN(MIN)}$ $V_{IN}$ 5.5V	0		0.4		
Enable Input Bias Current	$I_{EN,HI}$	$V_{EN}=V_{IN}$			8	$\mu A$	
	$I_{EN,LO}$	$V_{EN}=0V$			1		
Shutdown Current	$I_{SHDN}$	$V_{IN}=5.0V, V_{EN}=0V$		0.1	1	$\mu A$	
Shutdown Output Voltage	$V_{OUT,SD}$	$I_{OUT}=0.4mA, V_{EN}=0$			0.4	V	
<b>Protection</b>							
Output Current Limit	$I_{LIM}$	$V_{OUT}=0.9 \times V_{OUT(NOM)}$	250			mA	
Thermal Shutdown Temperature	$T_{SHDN}$	Shutdown, temperature increasing		150		$^{\circ}C$	
Thermal Shutdown Hysteresis	$T_{SHDN(HYS)}$			20			

Note1: Dropout Voltage is measured at  $V_{OUT}=V_{OUT(NOM)} \times 98\%$

Note2: For  $V_{OUT}$  below 2.0V, Dropout Voltage is the input<sub>(MIN)</sub> to output differential.



## ■ Detailed Description

The AME8852A family of CMOS regulators contain a PMOS pass transistor, voltage reference, error amplifier, over-current protection, thermal shutdown, and Power Good detection circuitry.

The P-channel pass transistor receives data from the error amplifier, over-current shutdown, and thermal protection circuits. During normal operation, the error amplifier compares the output voltage to a precision reference. Over-current and Thermal shutdown circuits become active when the junction temperature exceeds 150°C, or the current exceeds 150mA. During thermal shutdown, the output voltage remains low. Normal operation is restored when the junction temperature drops more 20°C.

### Capacitor Selection and Regulator Stability

The AME8852A is stable with an output capacitor to ground of 1µF or greater. Ceramic capacitors have the lowest ESR, and will offer the best AC performance. Conversely, Aluminum Electrolytic capacitors exhibit the highest ESR, resulting in the poorest AC response. Unfortunately, large value ceramic capacitors are comparatively expensive. One option is to parallel a 0.1µF ceramic capacitor with a 10µF Aluminum Electrolytic. The benefit is low ESR, high capacitance, and low overall cost.

A second capacitor is recommended between the input and ground to stabilize  $V_{IN}$ . The input capacitor should be at least 0.1µF to have a beneficial effect.

### Enable Pin

The Enable Pin is pull-low. When activated pulled low, the MOS pass transistor shuts off, and all internal circuits are powered down. In this state, the stand by current is than 1µA.

### Capacitor Selection and Regulator Stability

The maximum output power of the AME8852 is limited by the maximum power dissipation of the package. By calculation the power dissipation of the package as a function of the input voltage, output voltage and output current, the maximum input voltage can be obtained. The maximum power dissipation should not exceed the package' s maximum power rating.

$$P_{MAX} = (V_{IN(MAX)} - V_{OUT}) \times I_{OUT}$$

Where:

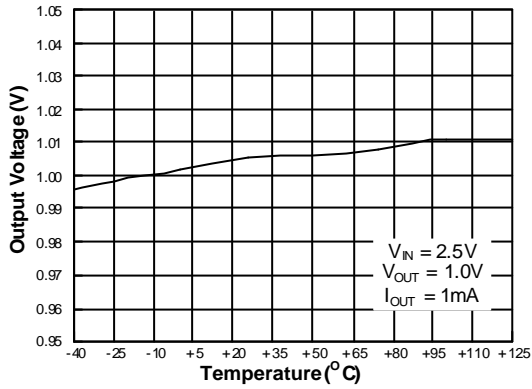
$V_{IN(MAX)}$  = maximum input voltage

$P_{MAX}$  = maximum power dissipation of the package

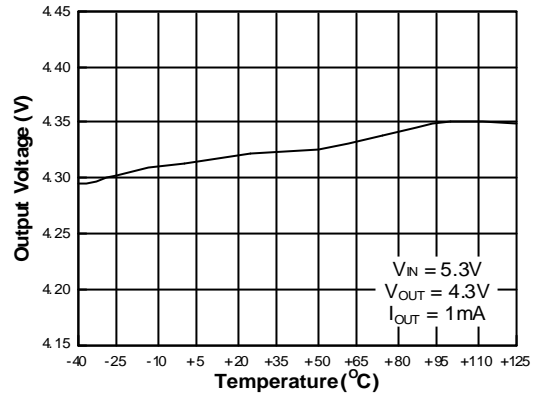
## AME8852A

### ■ Characterization Curve

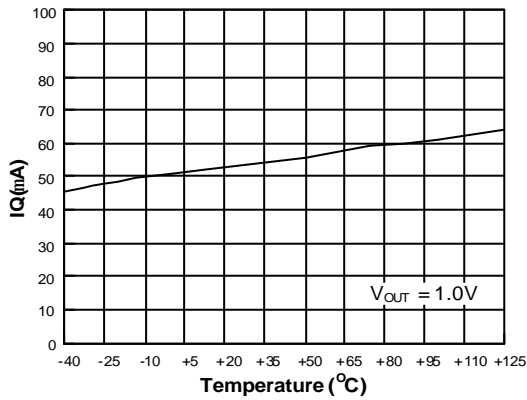
Output Voltage



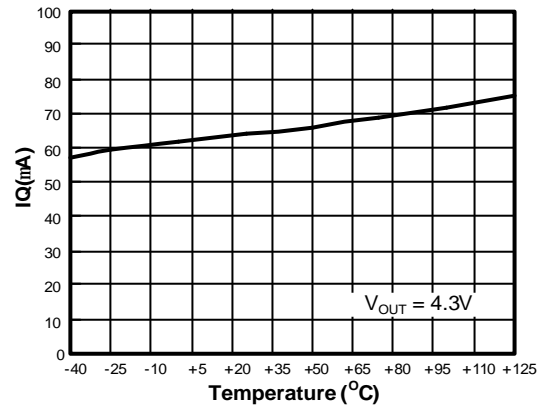
Output Voltage



Quiescent Current

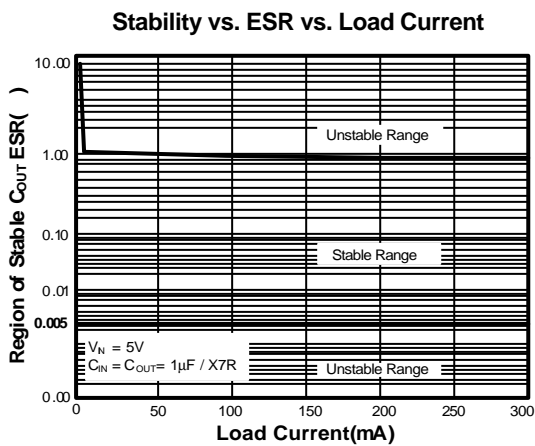
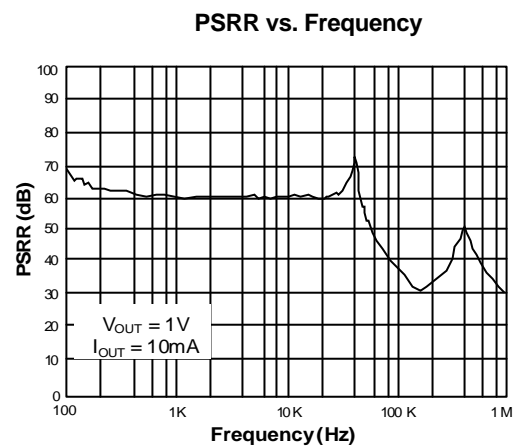
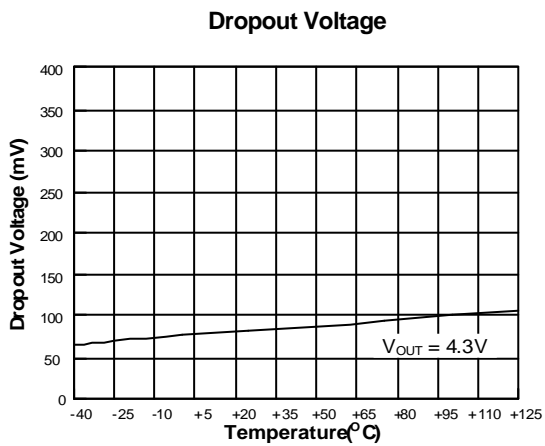
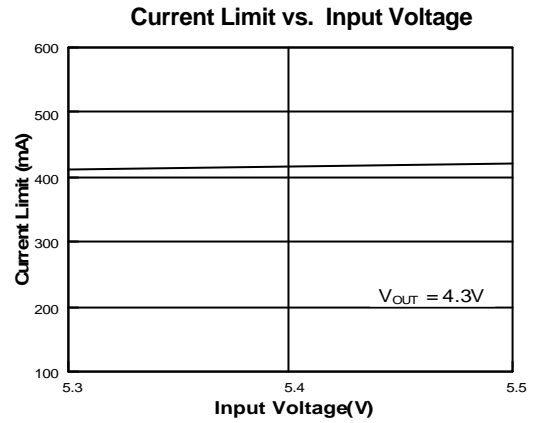
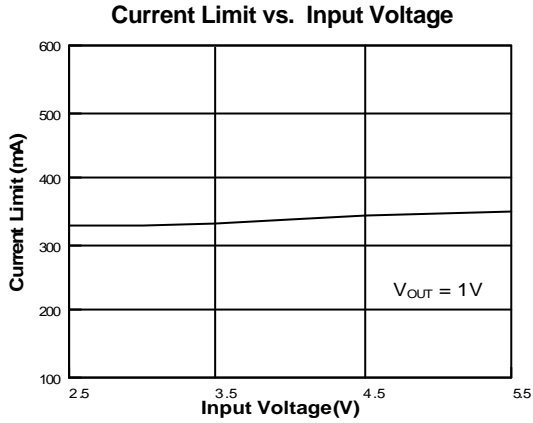


Quiescent Current



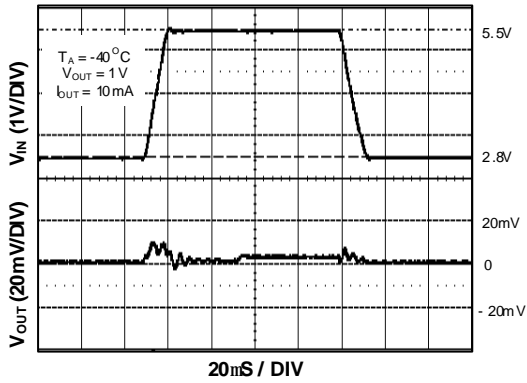
## AME8852A

### ■ Characterization Curve (Contd.)

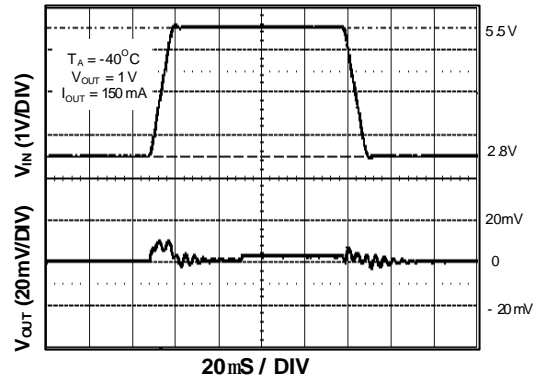


### ■ Characterization Curve (Contd.)

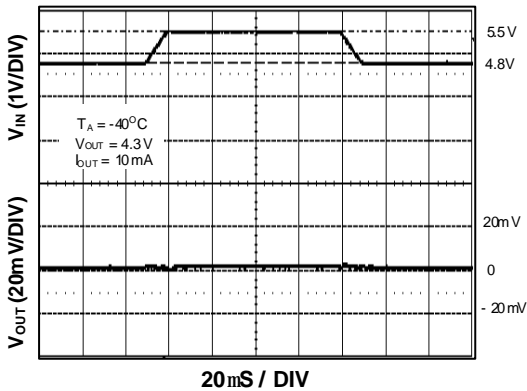
Line Transient Response



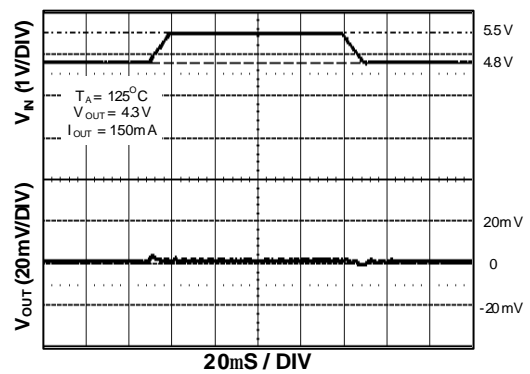
Line Transient Response



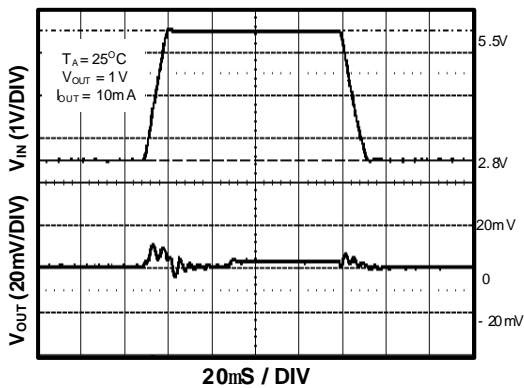
Line Transient Response



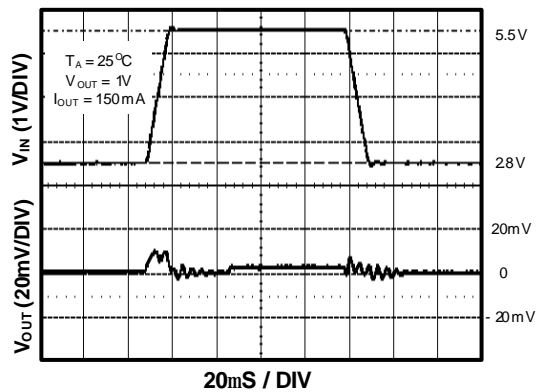
Line Transient Response

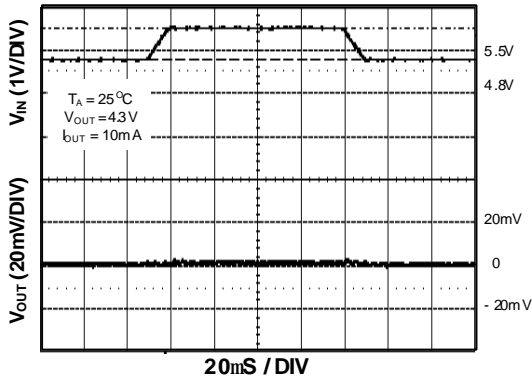
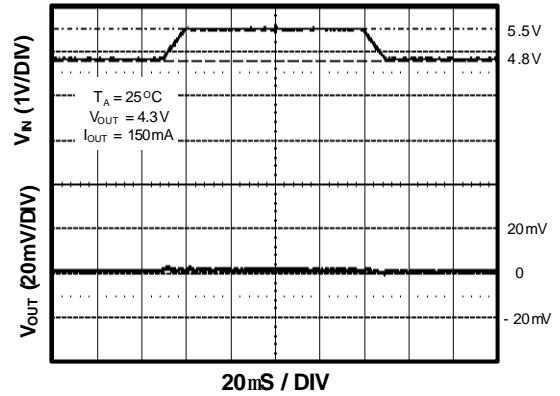
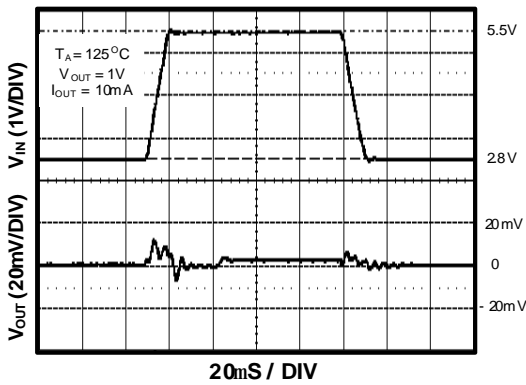
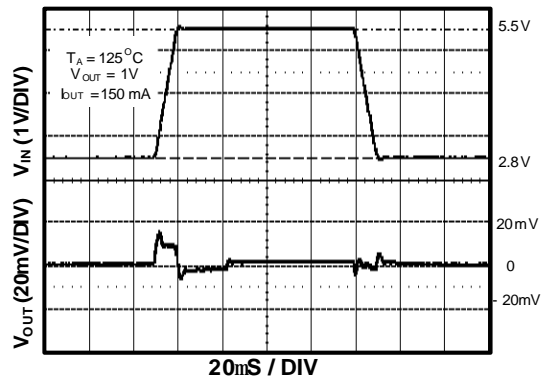
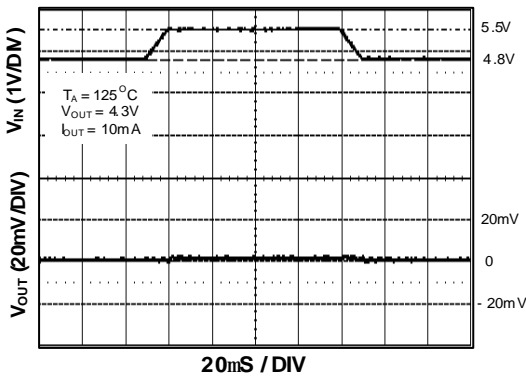
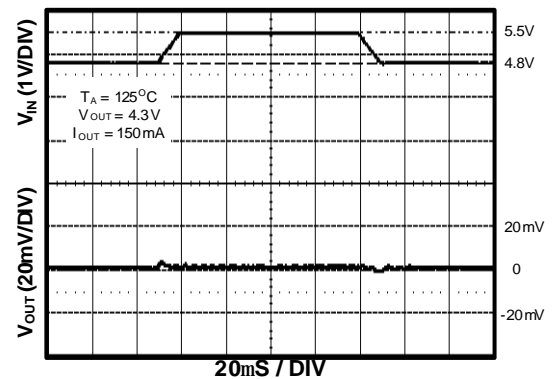


Line Transient Response



Line Transient Response

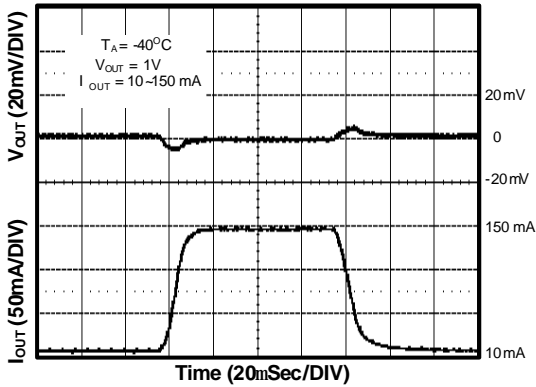


**■ Characterization Curve (Contd.)**
**Line Transient Response**

**Line Transient Response**

**Line Transient Response**

**Line Transient Response**

**Line Transient Response**

**Line Transient Response**


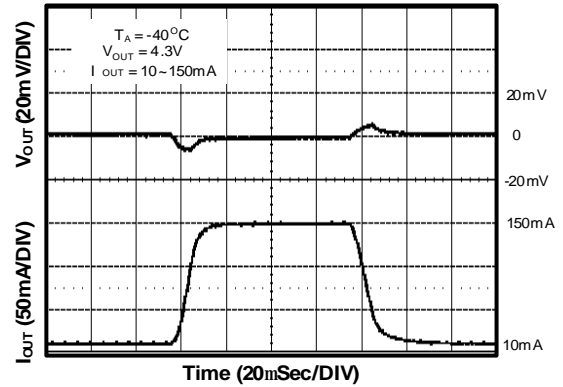
## AME8852A

### ■ Characterization Curve (Contd.)

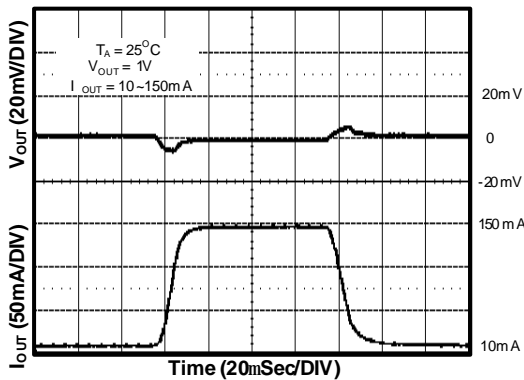
Load Transient Response



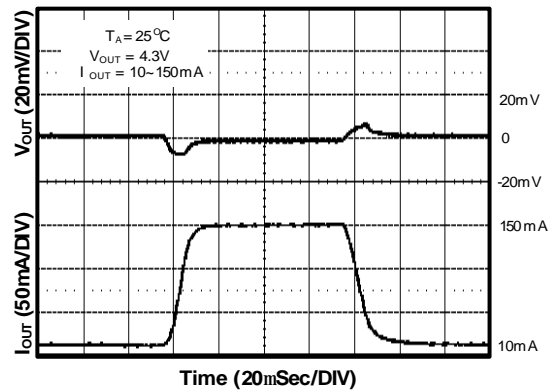
Load Transient Response



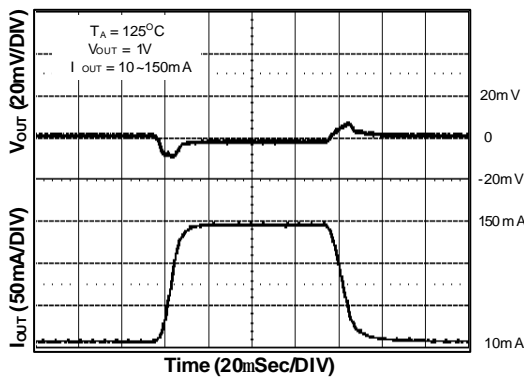
Load Transient Response



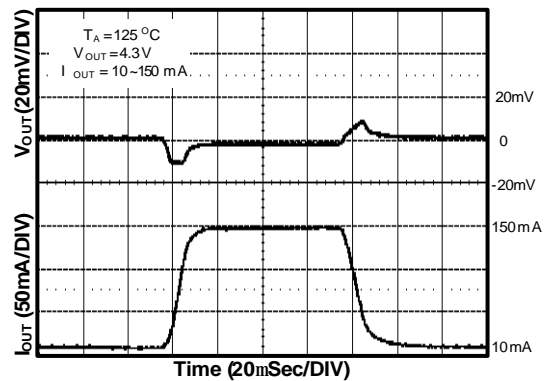
Load Transient Response



Load Transient Response



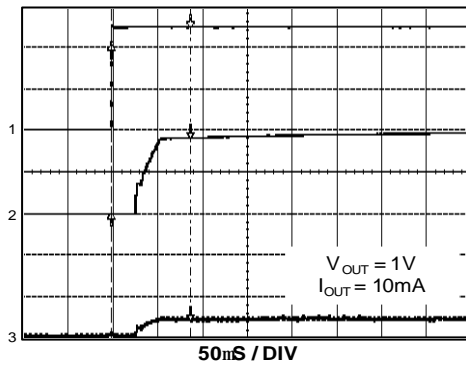
Load Transient Response



## AME8852A

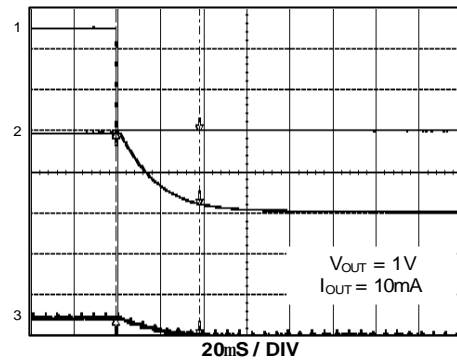
### ■ Characterization Curve (Contd.)

Chip Enable Transient Response



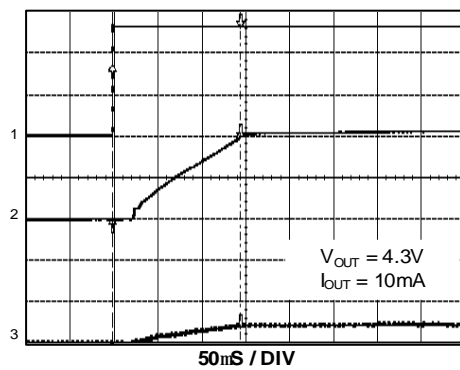
- 1) EN= 1V/div
- 2)  $V_{OUT} = 500mV/div$
- 3)  $I_{OUT} = 20mA/div$

Chip Enable Transient Response



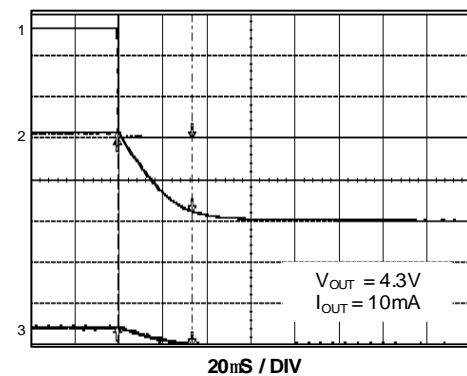
- 1) EN= 1V/div
- 2)  $V_{OUT} = 500V/div$
- 3)  $I_{OUT} = 20mA/div$

Chip Enable Transient Response



- 1) EN= 2V/div
- 2)  $V_{OUT} = 2V/div$
- 3)  $I_{OUT} = 20mA/div$

Chip Enable Transient Response

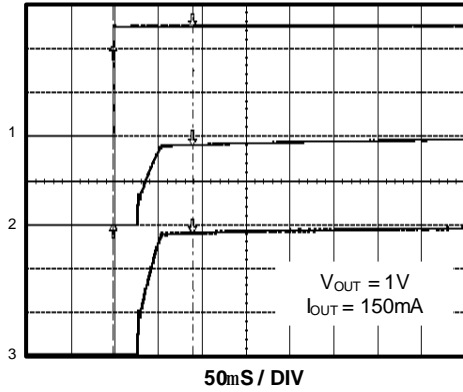


- 1) EN= 2V/div
- 2)  $V_{OUT} = 2V/div$
- 3)  $I_{OUT} = 20mA/div$

## AME8852A

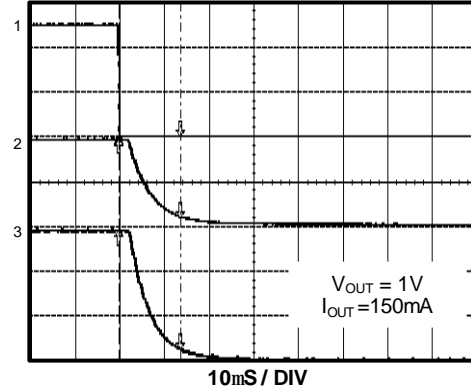
### ■ Characterization Curve (Contd.)

Chip Enable Transient Response



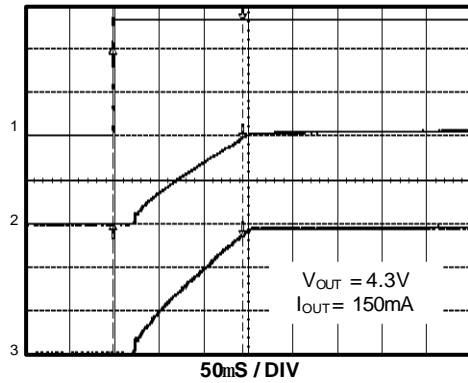
- 1) EN= 1V/div
- 2)  $V_{OUT} = 500mV/div$
- 3)  $I_{OUT} = 50mA/div$

Chip Enable Transient Response



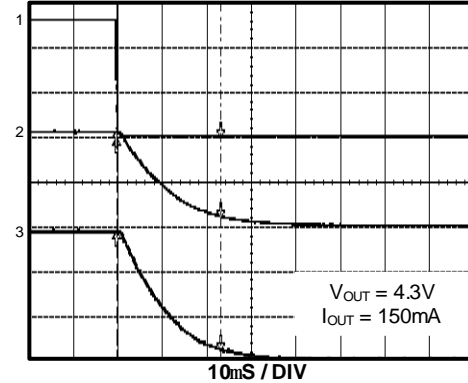
- 1) EN= 1V/div
- 2)  $V_{OUT} = 500mV/div$
- 3)  $I_{OUT} = 50mA/div$

Chip Enable Transient Response



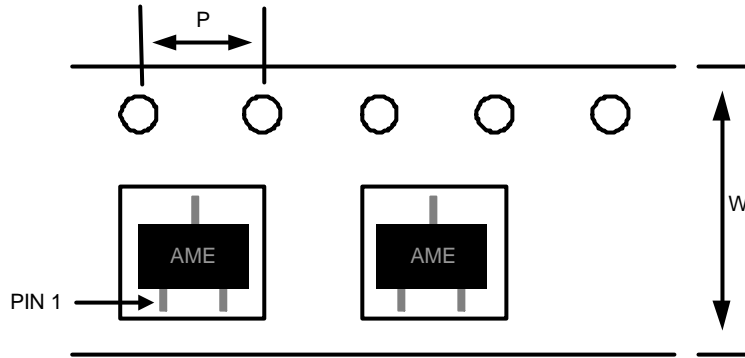
- 1) EN= 2V/div
- 2)  $V_{OUT} = 2V/div$
- 3)  $I_{OUT} = 50mA/div$

Chip Enable Transient Response

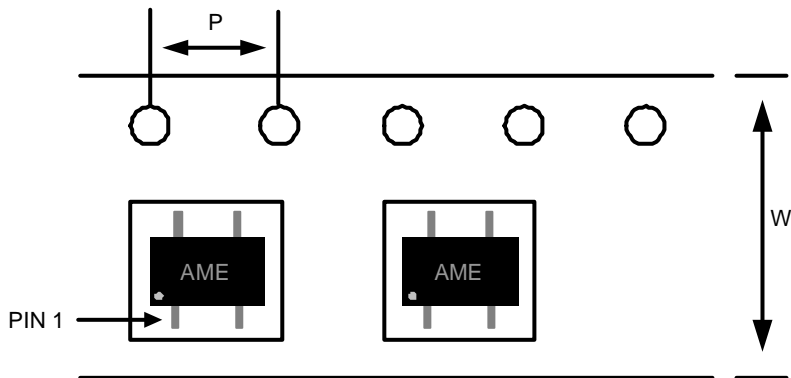


- 1) EN= 2V/div
- 2)  $V_{OUT} = 2V/div$
- 3)  $I_{OUT} = 50mA/div$

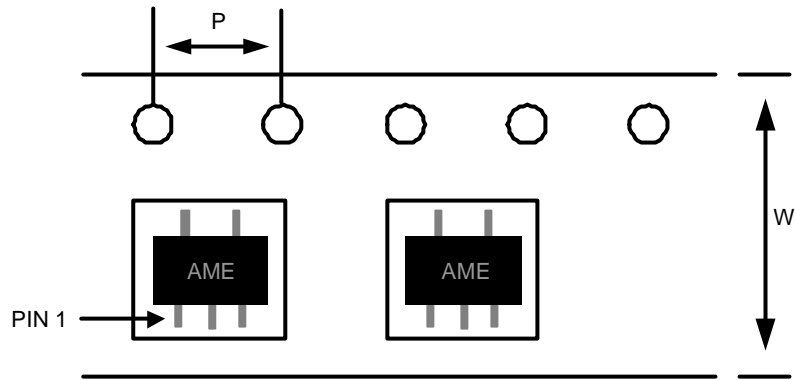


**AME8852A**
**■ Tape and Reel Dimension**
**SOT-23**

**Carrier Tape, Number of Components Per Reel and Reel Size**

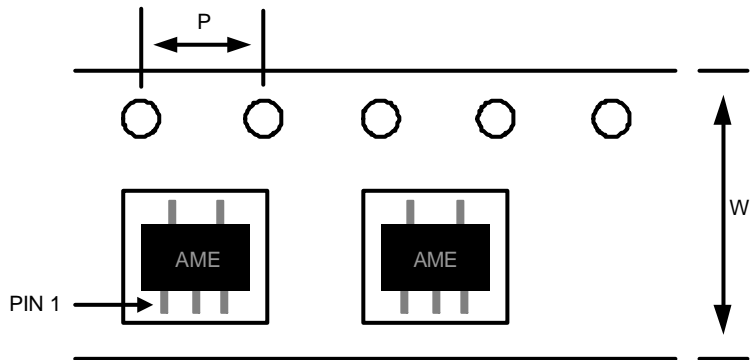
Package	Carrier Width (W)	Pitch (P)	Part Per Full Reel	Reel Size
SOT-23	8.0±0.1 mm	4.0±0.1 mm	3000pcs	180±1 mm

**SC-70-4 (SC-82)**

**Carrier Tape, Number of Components Per Reel and Reel Size**

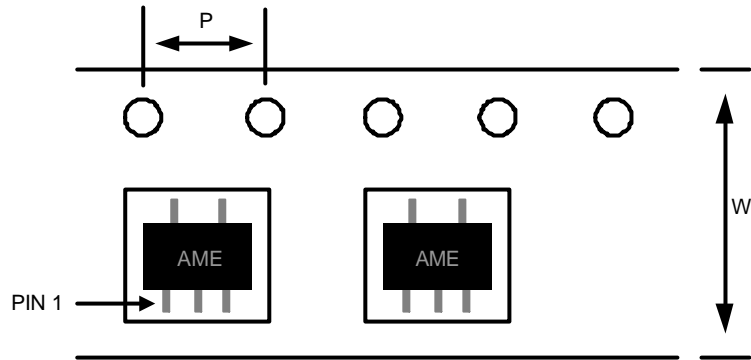
Package	Carrier Width (W)	Pitch (P)	Part Per Full Reel	Reel Size
SC-70-4	8.0±0.1 mm	4.0±0.1 mm	3000pcs	180±1 mm

**AME8852A**
**■ Tape and Reel Dimension (Contd.)**
**SC-70-5**

**Carrier Tape, Number of Components Per Reel and Reel Size**

Package	Carrier Width (W)	Pitch (P)	Part Per Full Reel	Reel Size
SC-70-5	8.0±0.1 mm	4.0±0.1 mm	3000pcs	180±1 mm

**SOT-25**

**Carrier Tape, Number of Components Per Reel and Reel Size**

Package	Carrier Width (W)	Pitch (P)	Part Per Full Reel	Reel Size
SOT-25	8.0±0.1 mm	4.0±0.1 mm	3000pcs	180±1 mm

**AME8852A**
**■ Tape and Reel Dimension (Contd.)**
**TSOT-25A**

**Carrier Tape, Number of Components Per Reel and Reel Size**

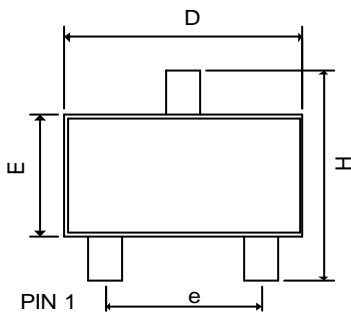
Package	Carrier Width (W)	Pitch (P)	Part Per Full Reel	Reel Size
TSOT-25A	8.0±0.1 mm	4.0±0.1 mm	3000pcs	180±1 mm

## AME8852A

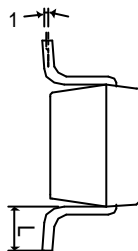
### ■ Package Dimension

SOT-23

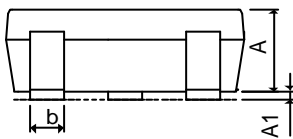
Top View



Side View



Front View

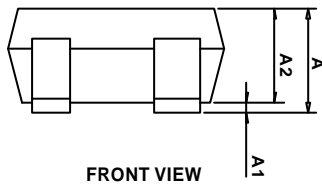
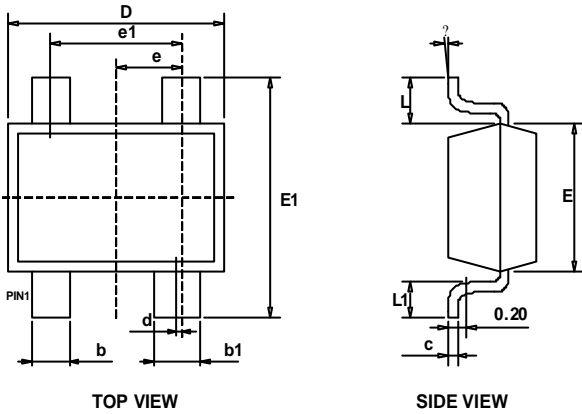


SYMBOLS	MILLIMETERS		INCHES	
	MIN	MAX	MIN	MAX
A	0.90	1.40	0.0354	0.0551
A <sub>1</sub>	0.00	0.15	0.0000	0.0059
b	0.30	0.50	0.0118	0.0197
D	2.70	3.10	0.1063	0.1220
E	1.40	1.80	0.0551	0.0709
e	1.90 BSC		0.0748 BSC	
H	2.40	3.00	0.0945	0.1181
L	0.35BSC		0.0138 BSC	
q1	0°	10°	0°	10°

## AME8852A

### ■ Package Dimension (Contd.)

#### SC-70-4

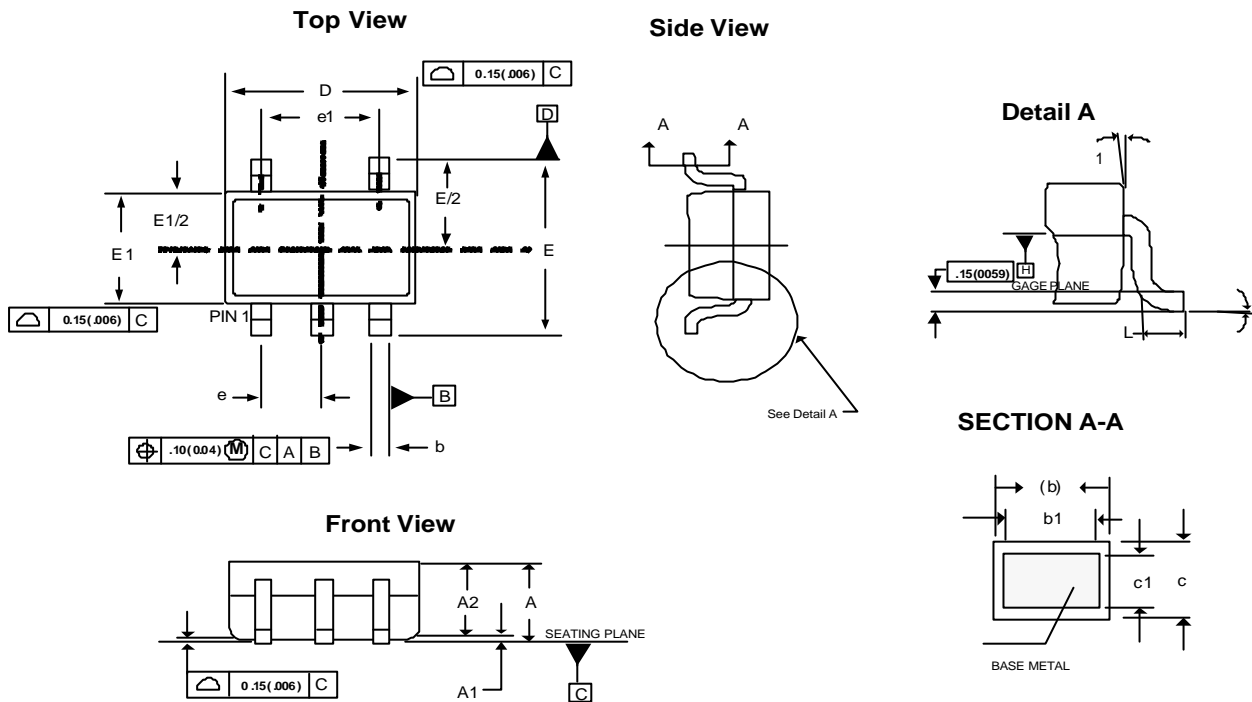


SYMBOLS	MILLIMETERS		INCHES	
	MIN	MAX	MIN	MAX
A	0.900	1.100	0.035	0.043
A1	0.000	0.100	0.000	0.004
A2	0.900	1.000	0.035	0.039
b	0.250	0.400	0.010	0.016
b1	0.350	0.500	0.014	0.020
c	0.080	0.150	0.003	0.006
d	0.050 TYP		0.002 TYP	
D	2.000	2.200	0.079	0.087
E	1.150	1.350	0.045	0.053
E1	2.150	2.450	0.085	0.096
e	0.650 TYP		0.026 TYP	
e1	1.200	1.400	0.047	0.055
L	0.525 REF		0.021 REF	
L1	0.260	0.460	0.010	0.018
q	0°	8°	0°	8°

## AME8852A

### ■ Package Dimension (Contd.)

SC-70-5

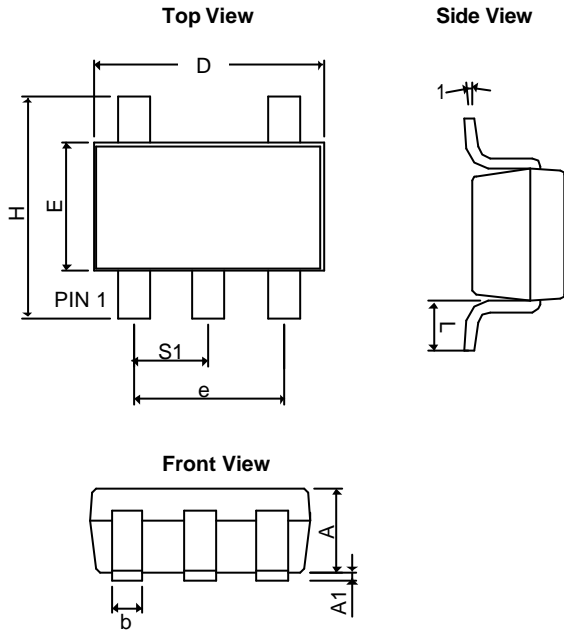


SYMBOLS	MILLIMETERS		INCHES	
	MIN	MAX	MIN	MAX
A	0.80	1.10	0.0315	0.0433
A1	0.00	0.10	0.0000	0.0039
A2	0.80	1.00	0.0315	0.0394
b	0.15	0.35	0.0059	0.0138
b1	0.15	0.25	0.0059	0.0098
c	0.08	0.25	0.0031	0.0098
c1	0.08	0.20	0.0031	0.0079
D	1.85	2.20	0.0728	0.0866
E	1.80	2.45	0.0709	0.0965
E1	1.10	1.40	0.0433	0.0551
e	0.65 BSC		0.0255 BSC	
e1	1.20	1.40	0.0472	0.0551
L	0.26	0.46	0.0102	0.0181
q1	0°	8°	0°	8°
q	4°	10°	4°	10°

## AME8852A

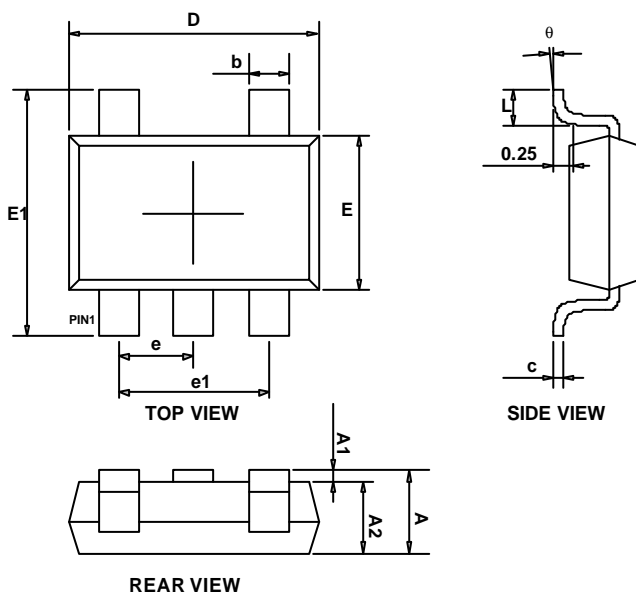
### ■ Package Dimension (Contd.)

#### SOT-25



SYMBOLS	MILLIMETERS		INCHES	
	MIN	MAX	MIN	MAX
A	0.90	1.30	0.0354	0.0512
A <sub>1</sub>	0.00	0.15	0.0000	0.0059
b	0.30	0.55	0.0118	0.0217
D	2.70	3.10	0.1063	0.1220
E	1.40	1.80	0.0551	0.0709
e	1.90 BSC		0.07480 BSC	
H	2.60	3.00	0.10236	0.11811
L	0.37BSC		0.0146BSC	
q1	0°	10°	0°	10°
S <sub>1</sub>	0.95BSC		0.0374BSC	

#### TSOT-25A

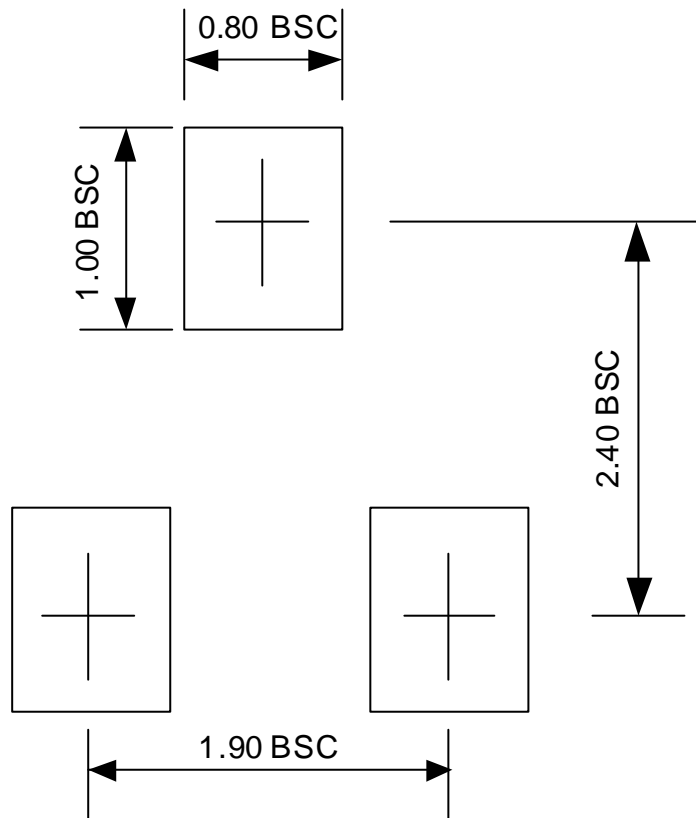


SYMBOLS	MILLIMETERS		INCHES	
	MIN	MAX	MIN	MAX
A	0.700	0.900	0.028	0.035
A <sub>1</sub>	0.000	0.100	0.000	0.004
A <sub>2</sub>	0.700	0.800	0.028	0.031
b	0.350	0.500	0.014	0.020
c	0.080	0.200	0.003	0.008
D	2.820	3.020	0.111	0.119
E	1.600	1.700	0.063	0.067
E <sub>1</sub>	2.650	2.950	0.104	0.116
e	0.95 BSC		0.037 BSC	
e <sub>1</sub>	1.90 BSC		0.075 BSC	
L	0.300	0.600	0.012	0.024
q	0°	8°	0°	8°

**AME8852A**

## ■ Lead Pattern

SOT-23



Note:

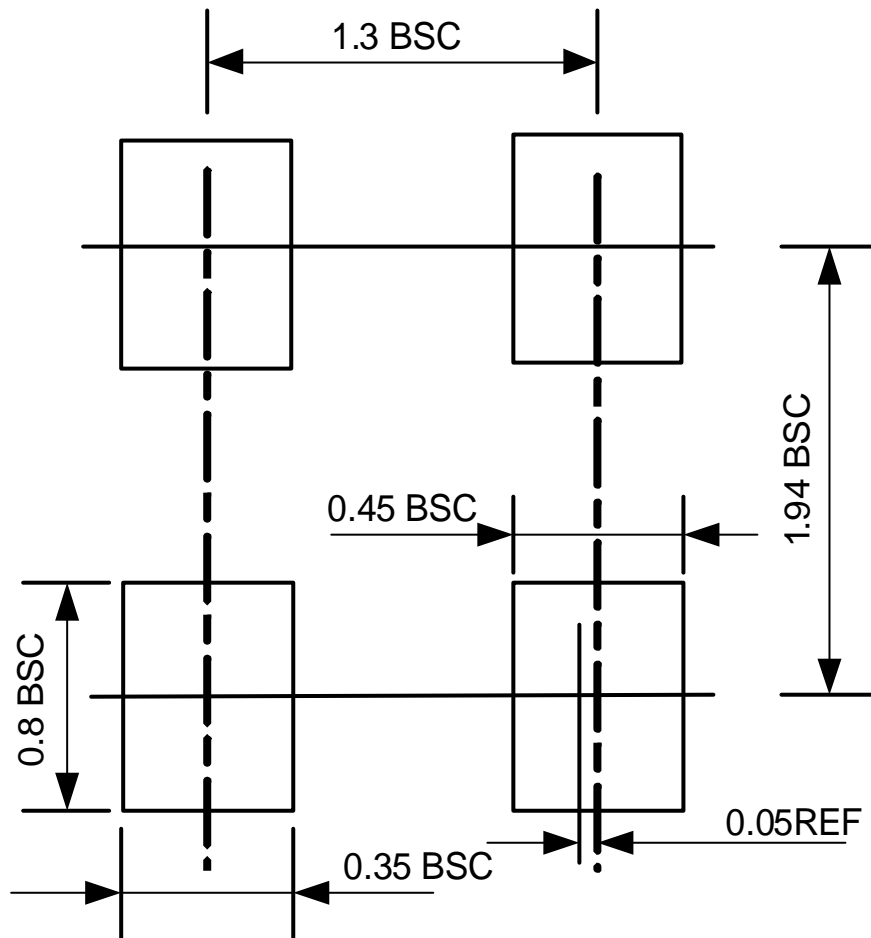
1. Lead pattern unit description:

BSC: Basic. Represents theoretical exact dimension or dimension target.

2. Dimensions in Millimeters.

3. General tolerance  $\pm 0.05\text{mm}$  unless otherwise specified.



**AME8852A**
**■ Lead Pattern (Contd.)**
**SC-70-4(SC-82)**


Note:

1. Lead pattern unit description:

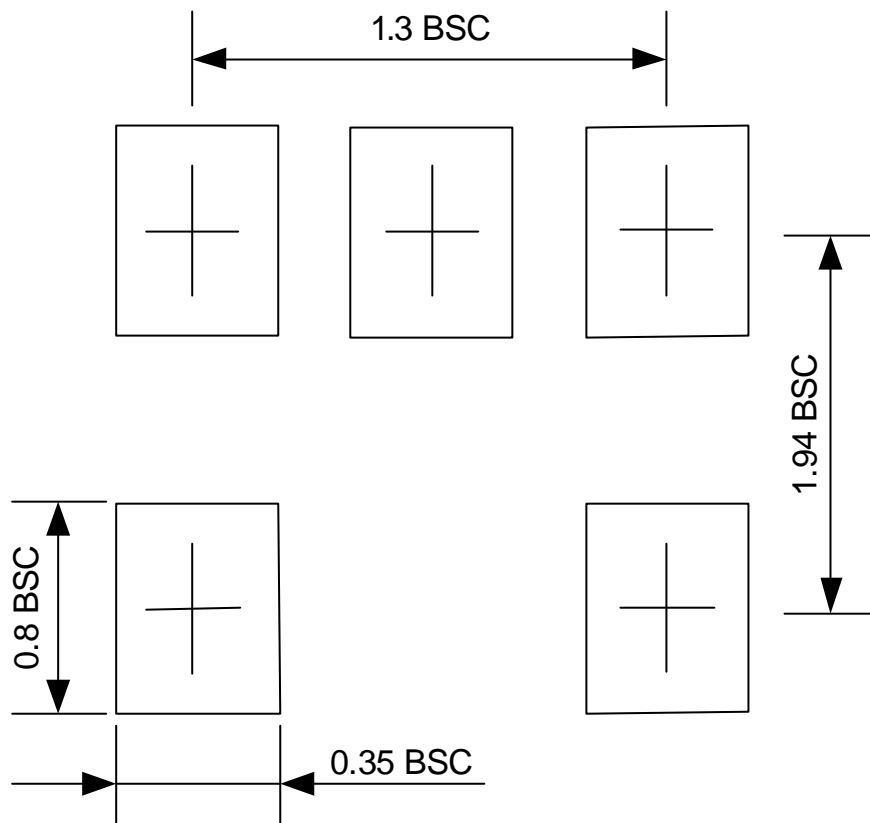
BSC: Basic. Represents theoretical exact dimension or dimension target.

2. Dimensions in Millimeters.

3. General tolerance  $\pm 0.05 \text{ mm}$  unless otherwise specified.

**AME8852A****■ Lead Pattern (Contd.)**

SC-70-5



Note:

1. Lead pattern unit description:

BSC: Basic. Represents theoretical exact dimension or dimension target.

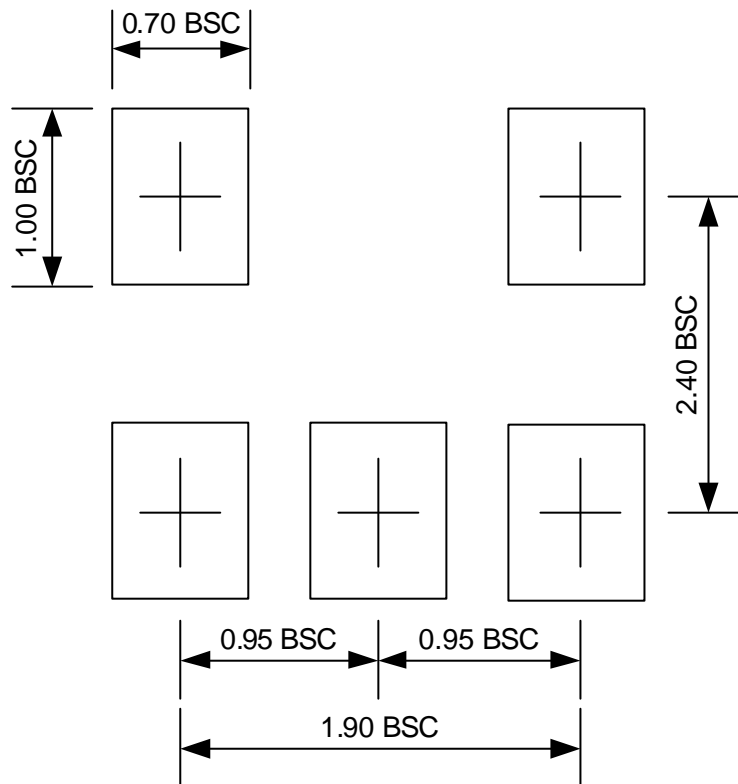
2. Dimensions in Millimeters.

3. General tolerance  $\pm 0.05\text{mm}$  unless otherwise specified.

**AME8852A**

## ■ Lead Pattern (Contd.)

SOT-25



Note:

1. Lead pattern unit description:

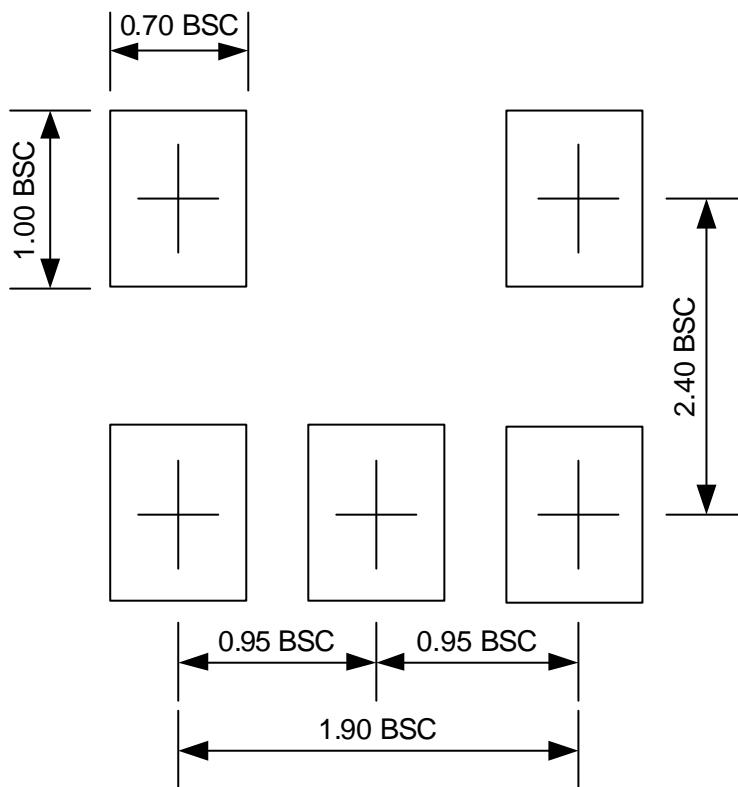
BSC: Basic. Represents theoretical exact dimension or dimension target.

2. Dimensions in Millimeters.

3. General tolerance  $\pm 0.05\text{mm}$  unless otherwise specified.

**AME8852A****■ Lead Pattern (Contd.)**

TSOT-25A



Note:

1. Lead pattern unit description:

BSC: Basic. Represents theoretical exact dimension or dimension target.

2. Dimensions in Millimeters.

3. General tolerance  $\pm 0.05\text{mm}$  unless otherwise specified.



**www.ame.com.tw**  
**E-Mail: sales@ame.com.tw**

Life Support Policy:

These products of AME, Inc. are not authorized for use as critical components in life-support devices or systems, without the express written approval of the president of AME, Inc.

AME, Inc. reserves the right to make changes in the circuitry and specifications of its devices and advises its customers to obtain the latest version of relevant information.

© AME, Inc. , May 2012

Document: TM001-DS8852A-A.01

**Corporate Headquarter**  
**AME, Inc.**

8F, 12, WenHu St., Nei Hu

Taipei, Taiwan. 114

Tel: 886 2 2627-8687

Fax: 886 2 2659-2989