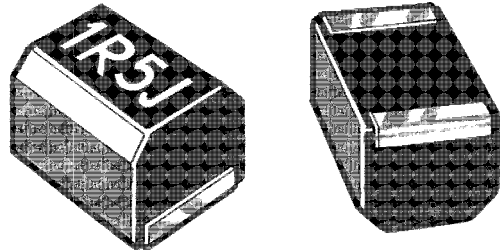


MEGGITT SIGMA
AXIAL INDUCTORS
SMD INDUCTORS
THIN FILM PRINTED INDUCTORS
POWER CHOKES IN
RADIAL AND AXIAL STYLE

SMD Chip Inductor

TYPE 3611 SERIES



The very latest miniature wound inductors with a wide inductance and temperature range are supplied on 8mm wide tape and reeled in 2000 pieces. They are 1008 size inductors for automatic placement. These tiny 10.08 size inductors are wound on a ferrite bobbin core and encapsulated in a moulded epoxy resin and can be soldered and cleaned using all popular methods.

MEGGITT CITEC KEY FEATURES

- HIGH RELIABILITY
 - ATTRACTIVELY PRICED
 - SMALL SIZE - 2.5 x 2.0MM (1008)
 - TEMPERATURE RANGE -20°C to +100°C
 - TAPED TO IEC 286 Pt3
 - SUITABLE FOR DIP AND WAVE SOLDER
 - INDUCTANCE OF 0.01 μ H to 100 μ H
 - SUPERIOR Q CHARACTERISTICS
-

ELECTRICAL ~ STYLE T (STANDARD)

Inductance Code	Inductance (μ H)	Tolerance (\pm %)	Q Min	LQ Test Freq. (MHz)	S.R.F. (MHz) Min.	Rdc Max (ohms)	Idc (mA) Max
R22	0.22	10	25	25.2	230	0.70	190
R27	0.27	10	25	25.2	210	0.75	180
R33	0.33	10	25	25.2	190	0.85	170
R39	0.39	10	25	25.2	175	0.95	160
R47	0.47	10	25	25.2	160	1.00	155
R56	0.56	10	25	25.2	150	1.10	150
R68	0.68	10	25	25.2	135	1.25	140
R82	0.82	10	25	25.2	125	1.40	130
1R0	1.0	5/10	25	7.96	115	0.65	195
1R2	1.2	5/10	25	7.96	100	0.75	180
1R5	1.5	5/10	25	7.96	90	0.85	170
1R8	1.8	5/10	25	7.96	85	0.95	160
2R2	2.2	5/10	25	7.96	80	1.05	155
2R7	2.7	5/10	25	7.96	75	1.20	145
3R3	3.3	5/10	25	7.96	65	1.30	130
3R9	3.9	5/10	25	7.96	60	1.40	130
4R7	4.7	5/10	25	7.96	55	1.55	125
5R6	5.6	5/10	25	7.96	50	1.75	120
6R8	6.8	5/10	25	7.96	45	0.95	115
8R2	8.2	5/10	25	7.96	40	2.20	105
100	10.0	5/10	25	2.52	32	3.50	80
120	12.0	5/10	25	2.52	30	3.80	75
150	15.0	5/10	25	2.52	28	4.40	70
180	18.0	5/10	25	2.52	25	5.00	65
220	22.0	5/10	25	2.52	22	5.80	60
270	27.0	5/10	20	2.52	21	6.30	115
330	33.0	5/10	20	2.52	20	7.10	110
390	39.0	5/10	20	2.52	18	9.50	90
470	47.0	5/10	20	2.52	17	11.00	80
560	56.0	5/10	20	2.52	16	12.10	75
680	68.0	5/10	20	2.52	15	16.60	70
820	82.0	5/10	20	2.52	13	19.00	65
101	100.0	5/10	15	0.796	12	21.00	60

ELECTRICAL ~ STYLE P (HIGH CURRENT)

Inductance Code	Inductance (μ H)	Tolerance (\pm %)	Q Min	LQ Test Freq. (MHz)	S.R.F. (MHz) Min.	Rdc Max (ohms)	Idc (mA) Max
1R0	1.0	20	10	7.96	95	0.45	475
1R5	1.5	20	10	7.96	85	0.55	435
2R2	2.2	20	10	7.96	65	0.65	390
3R3	3.3	20	8	7.96	55	0.85	340
4R7	4.7	20	8	7.96	43	1.20	285
6R8	6.8	10	8.5	7.96	44	1.30	170
100	10.0	10	20	2.52	32	2.20	210
120	12.0	10	20	2.52	25	2.70	195
150	15.0	10	20	2.52	21	3.20	175
220	22.0	10	20	2.52	18	4.00	160
330	33.0	10	20	2.52	16	6.50	120

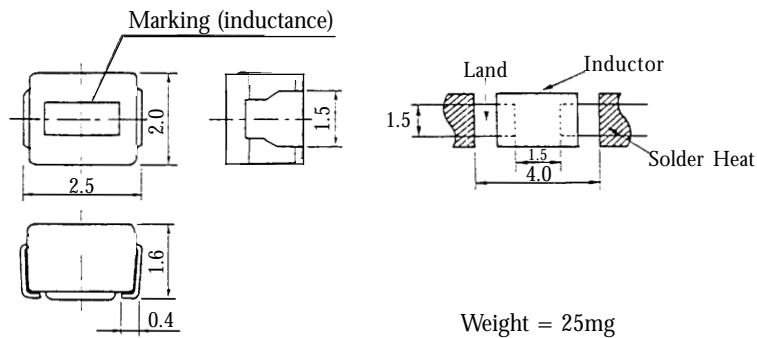
ELECTRICAL ~ STYLE L (LOW INDUCTANCE)

Inductance Code	Inductance (μH)	Tolerance (± %)	Q Min	LQ Test Freq. (MHz)	S.R.F. (MHz) Min.	Rdc Max (ohms)	Idc (mA) Max
R010	0.010	10	10	100	2500	0.32	280
R012	0.012	10	10	100	2200	0.34	270
R015	0.015	10	10	100	1800	0.38	255
R018	0.018	10	10	100	1550	0.40	250
R022	0.022	10	15	100	1350	0.43	240
R027	0.027	10	15	100	1150	0.47	230
R033	0.033	5/10	15	100	1000	0.51	220
R039	0.039	5/10	15	100	890	0.55	215
R047	0.047	5/10	15	100	770	0.59	205
R056	0.056	5/10	15	100	670	0.63	200
R068	0.068	5/10	15	100	590	0.68	190
R082	0.082	5/10	15	100	520	0.73	185
R10	0.10	5/10	10	25.2	460	0.80	175
R12	0.12	5/10	10	25.2	400	0.87	170
R15	0.15	5/10	10	25.2	340	0.98	160
R18	0.18	5/10	10	25.2	300	1.05	155
R22	0.22	5/10	10	25.2	260	1.15	145
R27	0.27	5/10	10	25.2	230	1.25	140
R33	0.33	5/10	10	25.2	200	1.37	135
R39	0.39	5/10	10	25.2	180	1.47	130
R47	0.47	5/10	10	25.2	160	1.58	125
R56	0.56	5/10	10	25.2	145	1.70	120
R68	0.68	5/10	10	25.2	130	1.85	110
R82	0.82	5/10	10	25.2	100	2.10	100

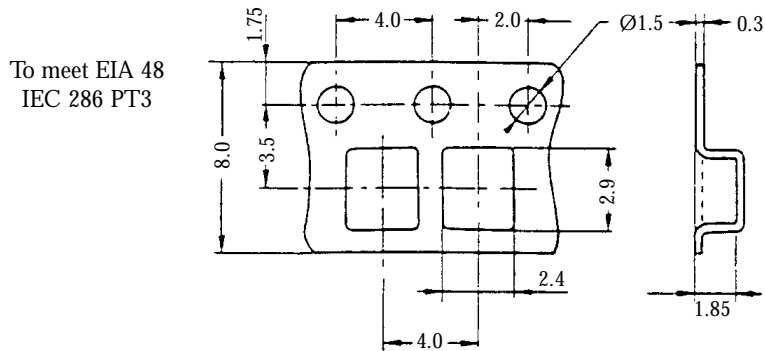
TEMPERATURE

Temperature Range (Storage): -40°C to +100°C
 Temperature Range (Operating): -20°C to +100°C
 Resistance to Soldering: 260°C for 10 secs.

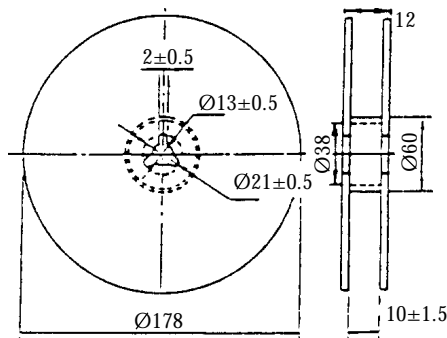
DIMENSIONS



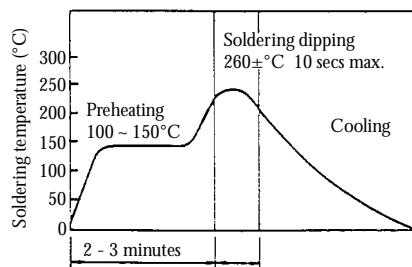
PACKAGING (TAPE)



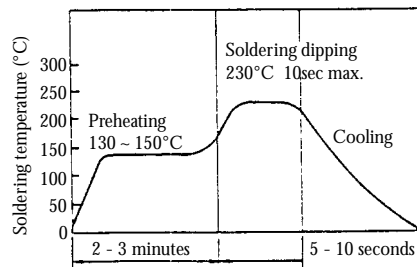
PACKAGING (REEL)



SOLDERING



FLOW SOLDERING



REFLOW SOLDERING

HOW TO ORDER

3611	T	1R5	K
Common Part	Style	Inductance	Tolerance
3611 - 1008 Size	L - Low Inductance P - High Current T - Standard	Value Code (See Table)	J - ±5% K - ±10% M - 20%



Meggitt Electronic Components Ltd. Ohmic House, Westmead Industrial Estate, Swindon, Wilts. SN5 7US
Telephone:(01793)487301(Admin.) (01793)611666 (Sales) Email:sales@megelec.co.uk Fax:(01793) 611777

This publication is issued to provide outline information only and (unless specifically agreed to the contrary by the Company in writing) is not to form part of any order or be regarded as a representation relating to the products or service concerned. We reserve the right to alter without notice the specification, design, price or conditions of supply of any product or service. Whilst Meggitt Electronic Components products are of the very highest quality and reliability, all electronic components can occasionally be subject to failure. Where failure of a Meggitt Electronic Components product could result in life threatening consequences, then the circuit and application must be discussed with the Company. Such areas might include ECG, respiratory, and other medical and nuclear applications and any non fail safe applications circuit.