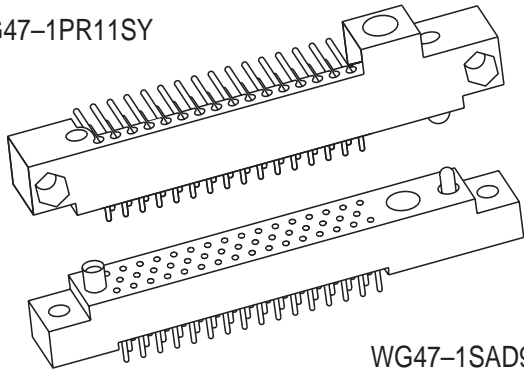


WG47-1PR11SY



WG47-1SAD9SY

COAX Connectors

PC Card to
Board or
Chassis

WG47-1

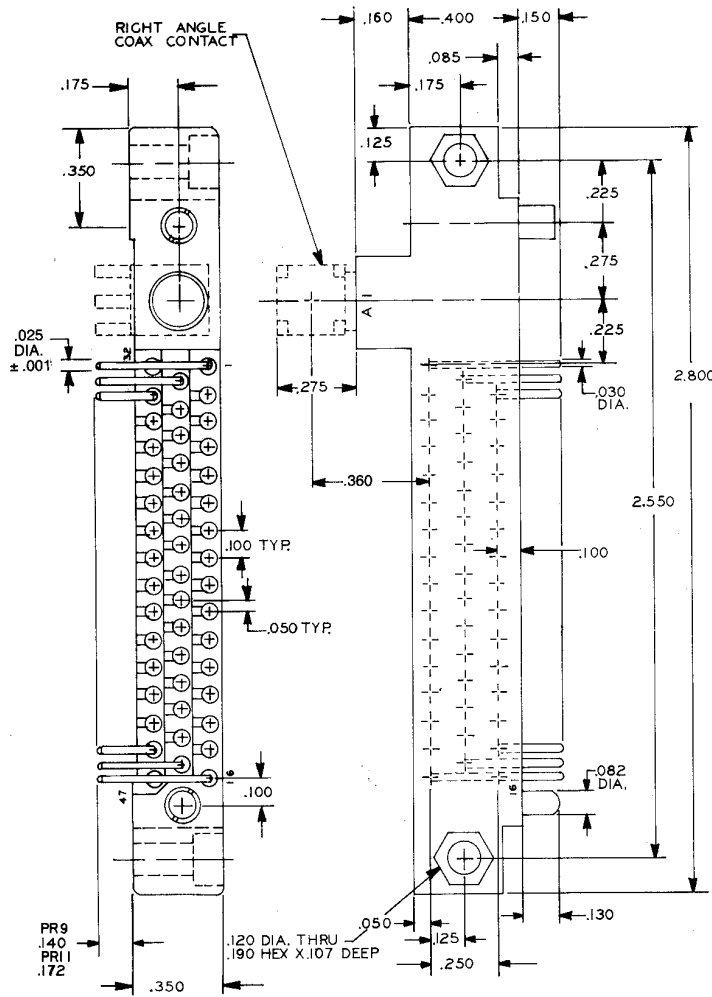
Examples:

PLUG: WG 47-1 PR11 SY
RECEPTACLE: WG 47-1 SAD9 SY

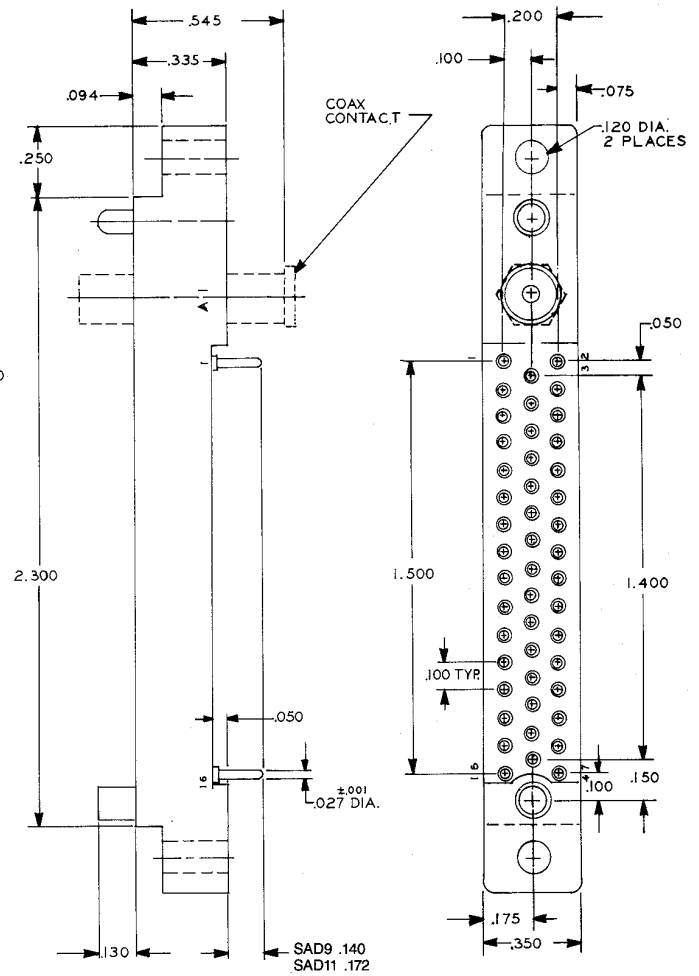
PLUG		RECEPTACLE	
SERIES			
WG	= 3-row, right-angle, plug, mounting ears	WG	= 3-row, straight, receptacle, mounting ears
NUMBER OF CONTACTS			
47-1	= 47 right-angle, signal, pins plus 1 right-angle, removable coax sockets (See "Options" below.)	47-1	= 47 straight, signal, pins plus 1 straight, removable coax pins (See "Options" below.)
TYPE OF CONTACTS			
PR7	= Pin, right-angle, dip solder, .109	SAC	= Socket, straight, solder cup
PR9	= Pin, right-angle, dip solder, .140	SAD9	= Socket, straight, dip solder, .140
PR11	= Pin, right-angle, dip solder, .172	SAD11	= Socket, straight, dip solder, .172
		SAD15	= Socket, straight, dip solder, .234
TYPE OF HARDWARE			
SY	= Guide set	SY	= Guide set
SY-#	= Guide set, polarized	SY-#	= Guide set, polarized
OPTIONS			

- Removable type coax contacts sold separately.
- Coax Contacts:

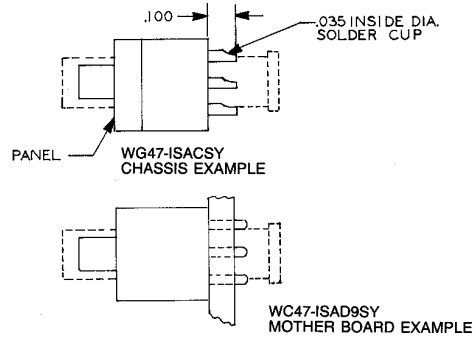
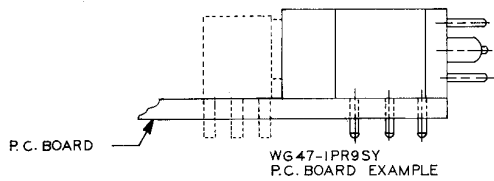
WTC188P = straight pin	WTC188S = Straight socket
WTC196P = straight pin	WTC196S = straight, socket
WTC085P = straight pin	WTC085 = straight, socket
	WTC10SRD9 = right-angle, socket
- OPTION CODES: Add to the end of the part number. Example: WG47-1SACSC-C34. Call factory for additional codes.
 - C34: Remove .225 standoff so connector is flush to board (receptacle only).
 - 342: Remove .250 long mounting ears.
 - G69: Solder cups are fixed in an outward orientation, otherwise contacts can rotate.



EXAMPLE: WG47-1PR11SY



EXAMPLE: WG47-1SAD9SY

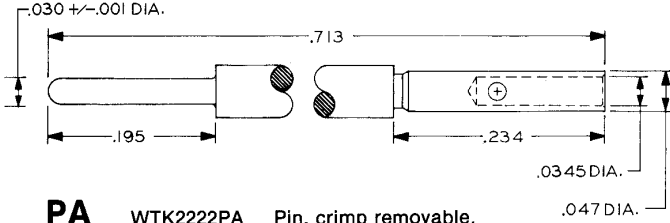


CONTACTS

CRIMP REMOVABLE

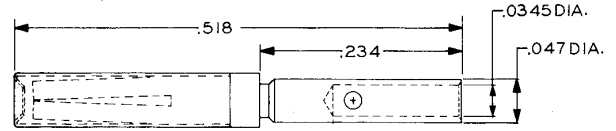
for WTDX, WTDXA, WTK, WTKA Series

CRIMP REMOVABLE PINS



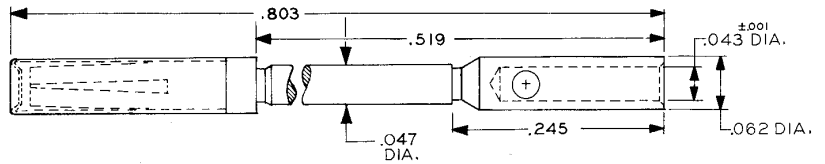
PA WTK2222PA Pin, crimp removable, 22 gage barrel

CRIMP REMOVABLE SOCKET



S WTK2222S Socket contact, crimp removable
SA WTK2222SA Low force socket, crimp removable, 22 gage barrel

NOTE: When using crimp contacts with 20 gage barrel, barrel must be cut off prior to removing contact from connector body.

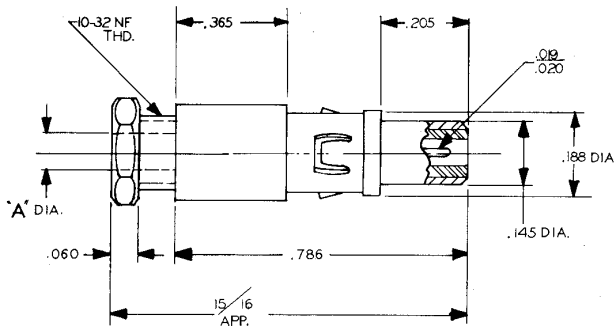


WTK2220S657 Socket, crimp removable, 20 gage barrel

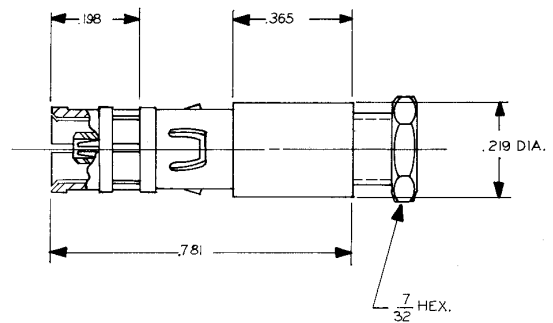
CONTACTS

COAX CONTACTS

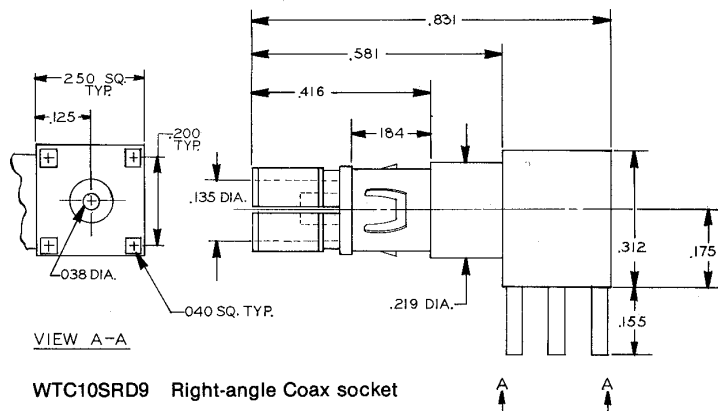
COAX MALE CONTACT



COAX FEMALE CONTACT



PART NUMBER		DIA "A"	TYPE CABLE	PART NUMBER	
WTC188P	Coax, straight, pin	.115	RG174, RG188, RG316	WTC188S	Coax, straight, socket
WTC196P	Coax, straight, pin	.089	RG178, RG196	WTC196S	Coax, straight, socket
WTC085P	Coax, straight, pin	.089	Semi-rigid, .085-50 ohm	WTC085S	Coax, straight, socket



WTC10SRD9 Right-angle Coax socket