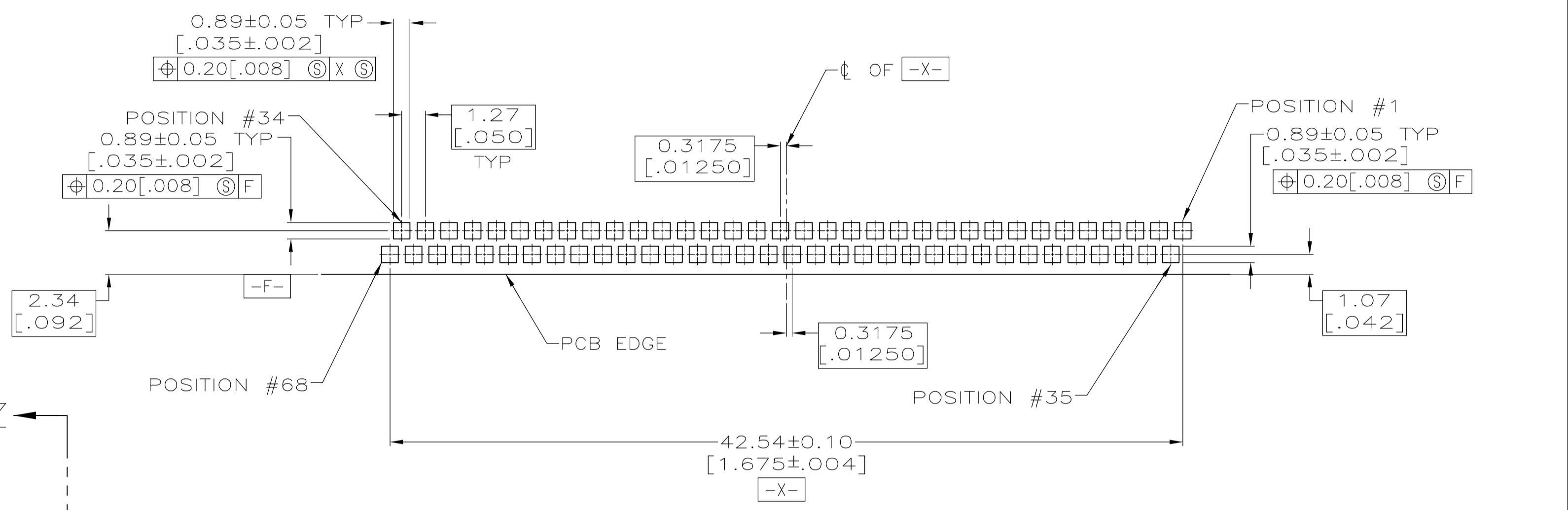
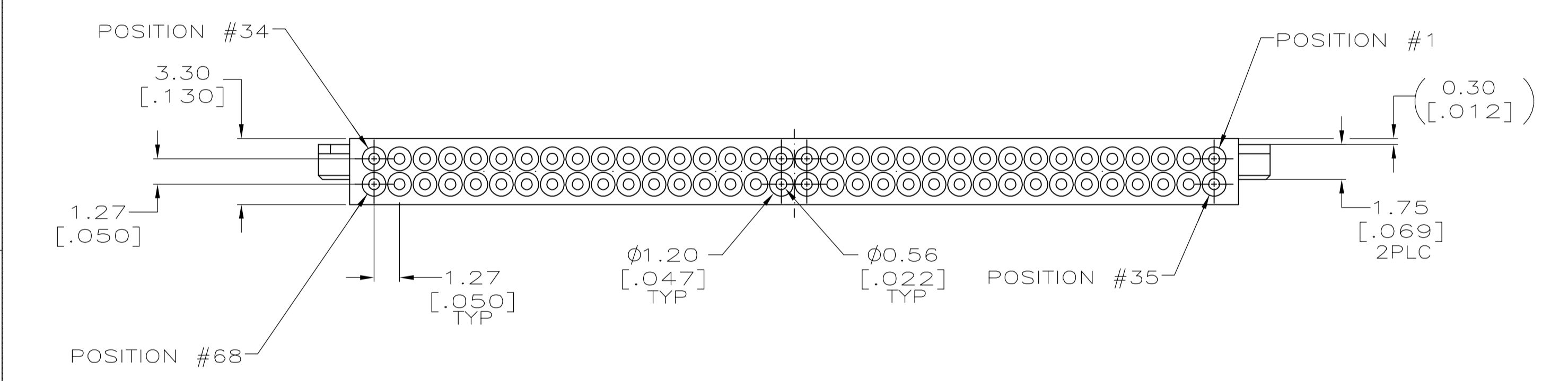
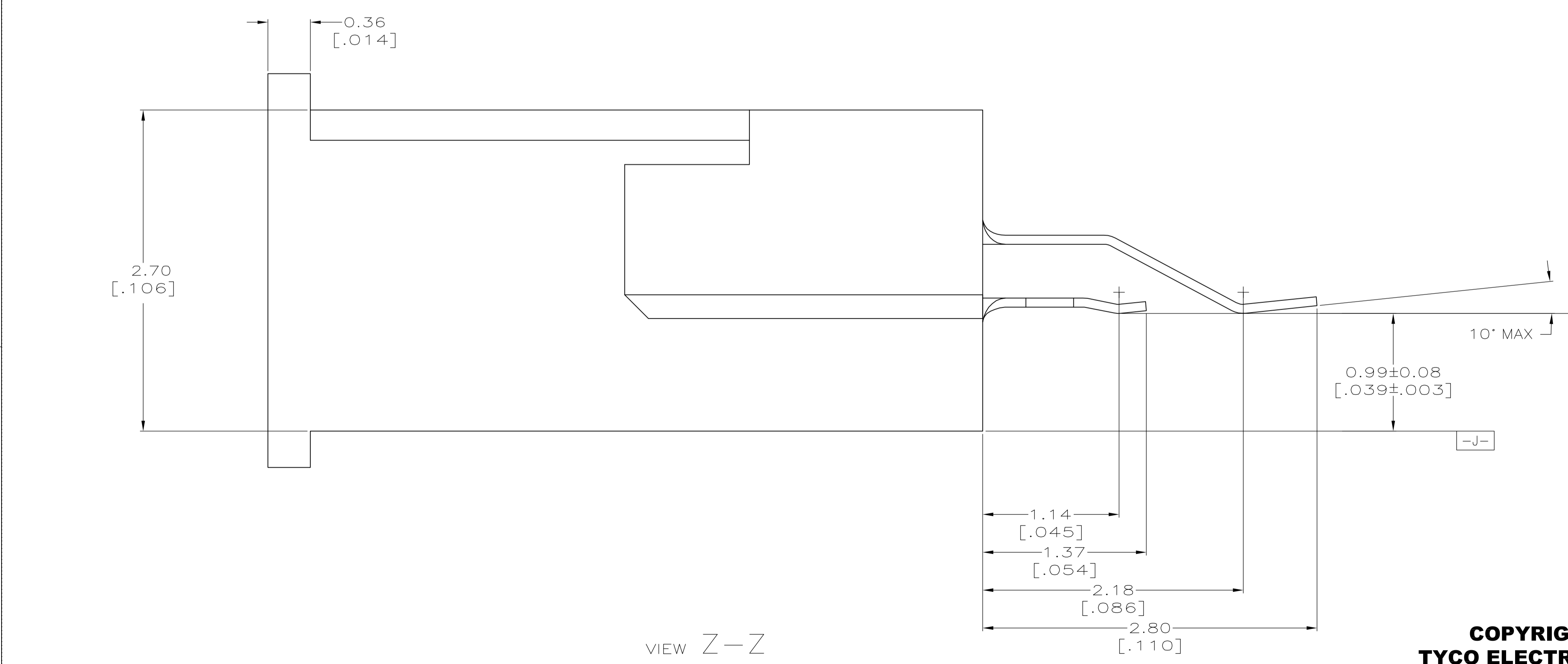


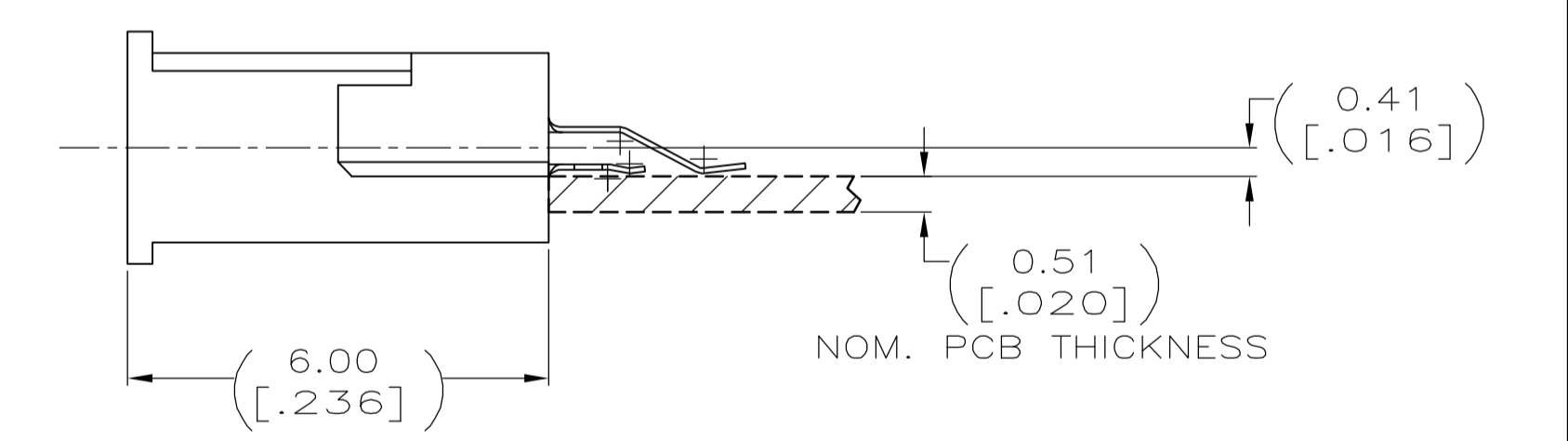
- △ HOUSING: LCP, GLASS FILLED, COLOR: BLACK.
- △ CONTACTS: BERYLLIUM COPPER.
- △ CONTACTS: 0.00076[.000030] MINIMUM GOLD ON MATING AREA, 0.00254[.000100] MINIMUM TIN ON SOLDER TAIL, ALL OVER 0.00127[.000050] MINIMUM NICKEL.
- △ DIMENSION IN REFERENCE TO LOWEST POINT OF EACH LEAD.
- 5. POINT OF CONTACT 2.3[.091] REF FROM MATING FACE.
- △ APPLIES TO ALL SOLDER TAILS.



RECOMMENDED PC BOARD LAYOUT



VIEW Z-Z
SCALE 40:1



PC BOARD LOCATION (REF)
SCALE: 10:1

68	5146229-1
POSITIONS	PART NUMBER

**COPYRIGHT 2005
 TYCO ELECTRONICS CORP
 ALL RIGHTS RESERVED**

THIS DRAWING IS A CONTROLLED DOCUMENT.		DWN A. FERNANDEZ-DOCK5 02-21-05	Tyco Electronics Corporation Harrisburg, PA 17105-3608
DIMENSIONS: mm[INCHES]		CHK D. GORENC 02-21-05	
TOLERANCES UNLESS OTHERWISE SPECIFIED:		APVD M. WALMSLEY 02-21-05	NAME RCPT ASSEMBLY, SURFACE MOUNT, 68 POS. 0.41mm/.016in OFFSET, AMP MEMORY CARD
0 PLC ± -		PRODUCT SPEC	APPLICATION SPEC
1 PLC ± -		APPLICATION SPEC	SIZE
2 PLC ± 0.13 [.005]		WEIGHT	CAGE CODE
3 PLC ± -		RESTRICTED TO	DRAWING NO.
4 PLC ± -		CUSTOMER DRAWING	5146229
ANGLES ± ± 30°		SCALE	5:1
MATERIAL		SHEET	1 of 1
FINISH		REV	0