

REV. R

TMT-1XX-XX-XX-X-XX-XXX

NO. OF POSITIONS  
-05 THRU -50

LEAD STYLE  
SEE TABLE 1

PLATING SPECIFICATION  
-G: GOLD- (USE T-1M6-XX-G-2)  
-T: TIN- (USE T-1M6-XX-T-2)  
-S: SELECTIVE- (USE T-1M6-XX-S-2)  
-SM: HEAVY GOLD SELECTIVE, MATTE TIN TAIL  
(SEE T-1M6-XX-S-2)  
-TM: MATTE TIN (SEE T-1M6-XX-T-2)

ROW SPECIFICATION  
-D: DOUBLE (USE TMT-XX-D)  
-S: SINGLE (USE TMT-XX-S)

OPTION #2  
-XXX: INDICATES POSITION OMITTED FOR POLARIZED ASSEMBLY  
-LC: LOCKING CLIP (AVAILABLE FOR DOUBLE ROW SURFACE MOUNT ONLY) (USE LC-07-TM)  
-P: PICK & PLACE PAD

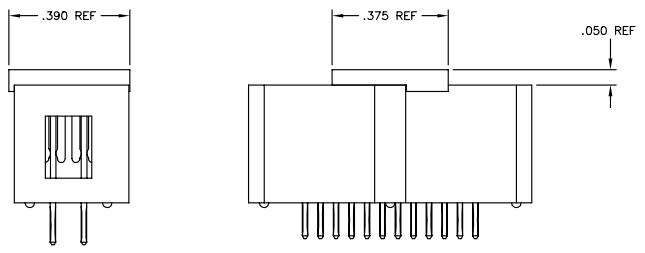
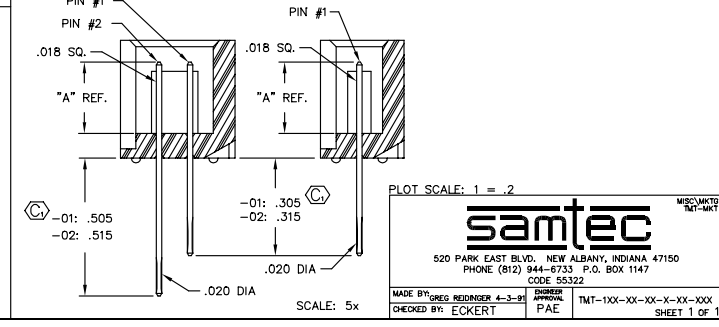
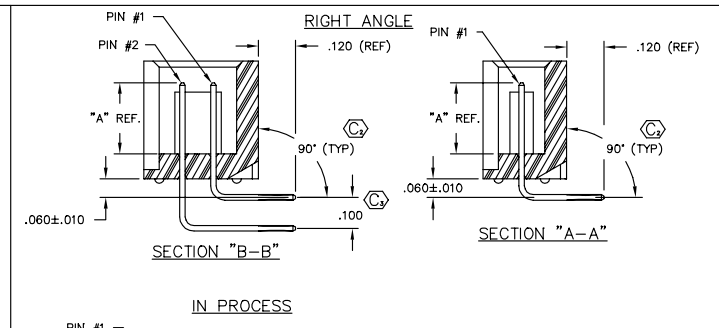
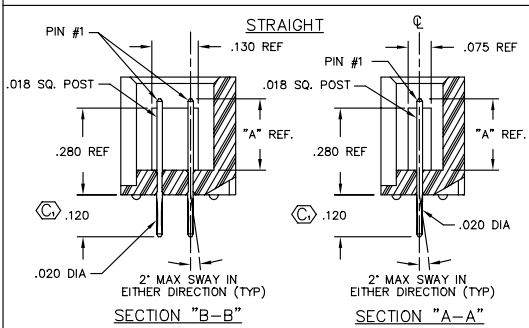
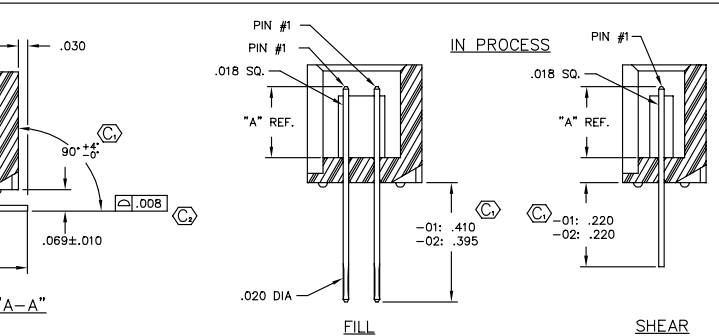
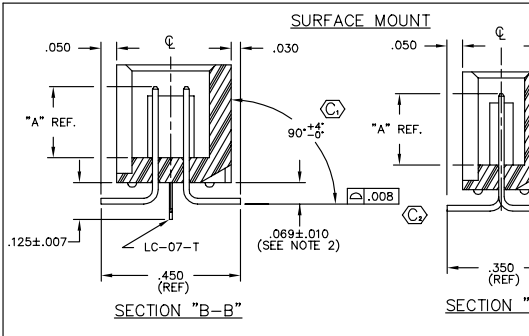
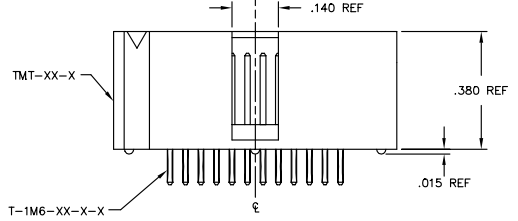
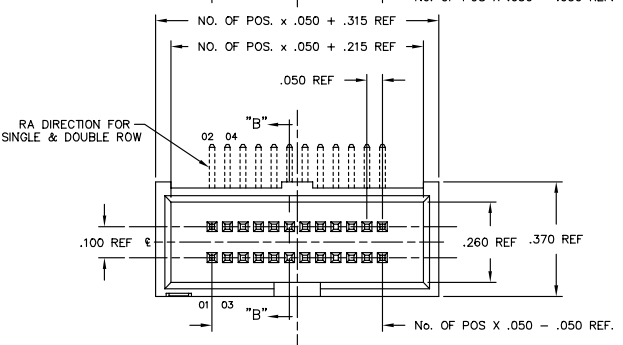
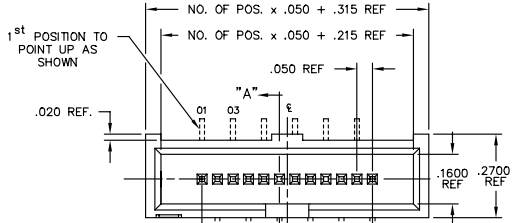
OPTION #1  
BLANK: STRAIGHT  
-RA: RIGHT ANGLE  
-SM: SURFACE MOUNT

NOTE:  
1.)  $\text{\textcircled{C}}$  REPRESENTS A CRITICAL DIMENSION.  
2.) CHECK DIMENSION AT THE BEND RADIUS.

DIMENSIONS ARE IN INCHES		UNLESS OTHERWISE NOTED		TOLERANCES ARE:		TITLE:	DWG NO:
ONE PLACE DECIMALS: $\pm .1$	THREE PLACE DECIMALS: $\pm .005$	ANGLES: $\pm 2^\circ$	TMT ASSEMBLY		TMT-1XX-XX-XX-X-XX-XXX	SHEET 1 OF 1	
TWO PLACE DECIMALS: $\pm .01$	FOUR PLACE DECIMALS: $\pm .0020$						

LEAD STYLE	"A"	RIGHT ANGLE		SURFACE MOUNT (SINGLE & DOUBLE ROW)
		PIN #1 (SINGLE ROW)	PIN #2	
-01	.120	T-1M6-17-X-2	T-1M6-04-X-2	T-1M6-05-X-2
-02	.230	T-1M6-12-X-2	T-1M6-13-X-2	T-1M6-05-X-2

OPTIONS	PACKAGING TUBE	PLUG
-D-SM	PT-1-24-01-08	TP-13
-D-SM-LC, -D-SM-LC-P	PT-1-24-02-08	TP-13



$\text{\textcircled{P}}$   
PICK & PLACE PAD  
(USE PPP-22)

NOTE: LOCATING NOTCH ON PAD TO BE PRESSED AGAINST MIDDLE STANDOFF ON BODY.

Do not scale from this print

**PROPRIETARY NOTE**  
THIS DOCUMENT CONTAINS INFORMATION OF A PROPRIETARY AND CONFIDENTIAL NATURE. IT IS THE PROPERTY OF SAMTEC INC. AND SHALL NOT BE REPRODUCED OR TRANSMITTED IN ANY FORM OR BY ANY MEANS, ELECTRONIC OR MECHANICAL, INCLUDING PHOTOCOPYING, RECORDING, OR BY ANY INFORMATION STORAGE AND RETRIEVAL SYSTEM, WITHOUT THE WRITTEN CONSENT OF SAMTEC INC.

PLOT SCALE: 1 = .2

**samtec**

520 PARK EAST BLVD., NEW ALBANY, INDIANA 47150  
PHONE: (812) 944-6733 F.O. BOX 1147  
CODE 55322

MADE BY: GREG REIDINGER 4-3-91  
CHECKED BY: ECKERT

DATE: 4-3-91  
APPROVAL: PAE

TMT-1XX-XX-XX-X-XX-XXX  
SHEET 1 OF 1