

List of "SFW\_\_R-3/4STE5" customer document

DOCUMENT NO.	LIST
10102948(SHEET1)	DOCUMENT LIST
10102948(SHEET2)	CAT. NO. TABLE FOR 1mm SPACING SMT CONNECTOR (SFW__R-3/4ST__)
10102948(SHEET3)	1mm SPACING SMT CONNECTOR (SFW__R-3ST__)
10102948(SHEET4)	1mm SPACING SMT CONNECTOR (SFW__R-4ST__)
10102948(SHEET5)	CAT. NO. TABLE FOR PLASTIC TAPE PACKAGED 1mm SPACING SMT CONNECTOR (SFW__R-3/4STE5)
10102948(SHEET6)	PLASTIC TAPE PACKAGED 1mm SPACING SMT CONNECTOR (SFW__R-3STE5)
10102948(SHEET7)	PLASTIC TAPE PACKAGED 1mm SPACING SMT CONNECTOR (SFW__R-4STE5)
10102948(SHEET8)	RECOMMENDED CABLE (FPC) (SFW__R-3/4ST__)
10102948(SHEET9)	RECOMMENDED CABLE (FFC) (SFW__R-3/4ST__)
SC-SFW05	PRODUCT SPECIFICATION



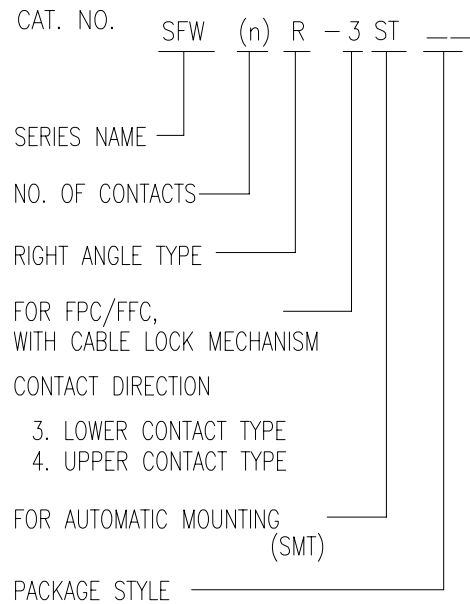
FCIconnect.com

Copyright FCI.

mat'l. code				surface 58 / tolerance ISO 1302 <input checked="" type="checkbox"/> ISO 406 <input type="checkbox"/> ISO 1101 <input type="checkbox"/>				projection		product family 58RF				CODE JP									
ltr A		ecn no S09-0194		dr DGOH		date 09-06-17		tolerances unless otherwise specified				title 1mm SPACING SMT CONNECTOR DOCUMENT LIST (Cat. No. : SFW__R-3/4STE5)											
								angles linear		mm													
										scale $\times$		dwg no 10102948 sheet 1 of 9 size A4											
												type Product Customer Drawing											
sheet index		revision sheet		A 1		A 2		A 3		A 4		A 5		A 6		A 7		A 8		A 9		Rev. A	

CAT. NO. & DIMENSIONS

NO. OF CONTACTS (n)	CAT. NO.	DIMENSIONS (NOTE2)			
		A ± 0.2	B ± 0.2	C ± 0.2	D ± 0.1
4	SFW4R-3/4ST__	9.8	8.6	3.0	3.92
5	SFW5R-3/4ST__	10.8	9.6	4.0	4.92
6	SFW6R-3/4ST__	11.8	10.6	5.0	5.92
7	SFW7R-3/4ST__	12.8	11.6	6.0	6.92
8	SFW8R-3/4ST__	13.8	12.6	7.0	7.92
9	SFW9R-3/4ST__	14.8	13.6	8.0	8.92
10	SFW10R-3/4ST__	15.8	14.6	9.0	9.92
11	SFW11R-3/4ST__	16.8	15.6	10.0	10.92
12	SFW12R-3/4ST__	17.8	16.6	11.0	11.92
13	SFW13R-3/4ST__	18.8	17.6	12.0	12.92
14	SFW14R-3/4ST__	19.8	18.6	13.0	13.92
15	SFW15R-3/4ST__	20.8	19.6	14.0	14.92
16	SFW16R-3/4ST__	21.8	20.6	15.0	15.92
17	SFW17R-3/4ST__	22.8	21.6	16.0	16.92
18	SFW18R-3/4ST__	23.8	22.6	17.0	17.92
19	SFW19R-3/4ST__	24.8	23.6	18.0	18.92
20	SFW20R-3/4ST__	25.8	24.6	19.0	19.92
21	SFW21R-3/4ST__	26.8	25.6	20.0	20.92
22	SFW22R-3/4ST__	27.8	26.6	21.0	21.92
23	SFW23R-3/4ST__	28.8	27.6	22.0	22.92
24	SFW24R-3/4ST__	29.8	28.6	23.0	23.92
25	SFW25R-3/4ST__	30.8	29.6	24.0	24.92
26	SFW26R-3/4ST__	31.8	30.6	25.0	25.92
27	SFW27R-3/4ST__	32.8	31.6	26.0	26.92
28	SFW28R-3/4ST__	33.8	32.6	27.0	27.92
29	SFW29R-3/4ST__	34.8	33.6	28.0	28.92
30	SFW30R-3/4ST__	35.8	34.6	29.0	29.92



NOTES

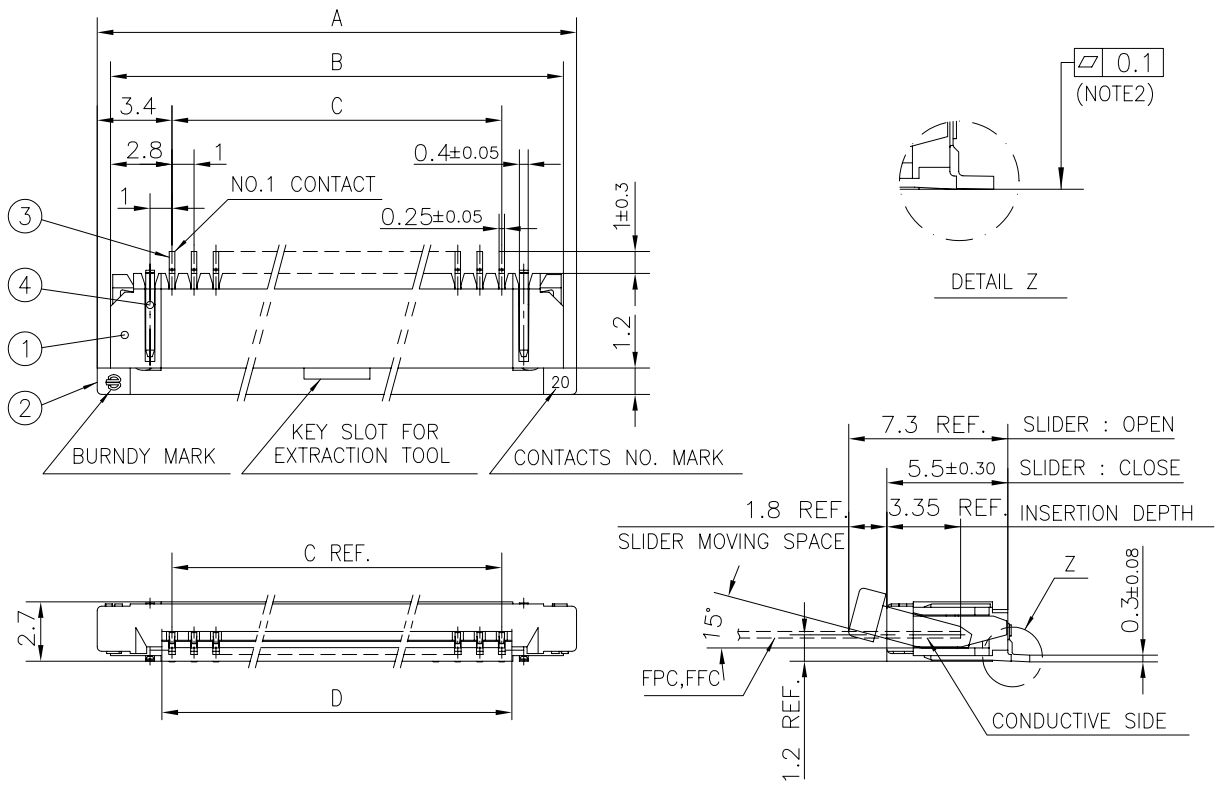
1. THIS PRODUCT IS THE CONNECTOR USED FOR FPC/FFC AND COPES WITH AUTOMATIC MOUNTING (SMT).
2. SEE PART DRAWINGS FOR DIMENSIONS A~D.
3. THIS PRODUCT IS THE CONNECTOR WITH CABLE LOCK MECHANISM.

mat'l. code				surface ISO 1302 <input checked="" type="checkbox"/>		tolerance ISO 406 ISO 1101		projection 		product family 58RF		CODE JP	
ltr A		ecn no		dr		date		tolerances unless otherwise specified		title CAT NO. TABLE FOR 1mm SPACING SMT CONNECTOR (Cat. No. SFW__R-3/4ST__)			
								angles linear		mm		scale $\times$	
				dr		DENNIS GOH 09-06-17				dwg no		sheet 2 of 9	
				enr		DENNIS GOH 09-06-17				10102948		size A4	
				chr		DENNIS GOH 09-06-17				type Product Customer Drawing			
				appd		JOEY NG 09-06-17							
sheet index		revision sheet										Rev. A	

This document is the property of and embodies CONFIDENTIAL and PROPRIETARY information of FCI. No part of the information shown on this document may be used in any way or disclosed to others without the written consent of FCI. Copyright FCI.



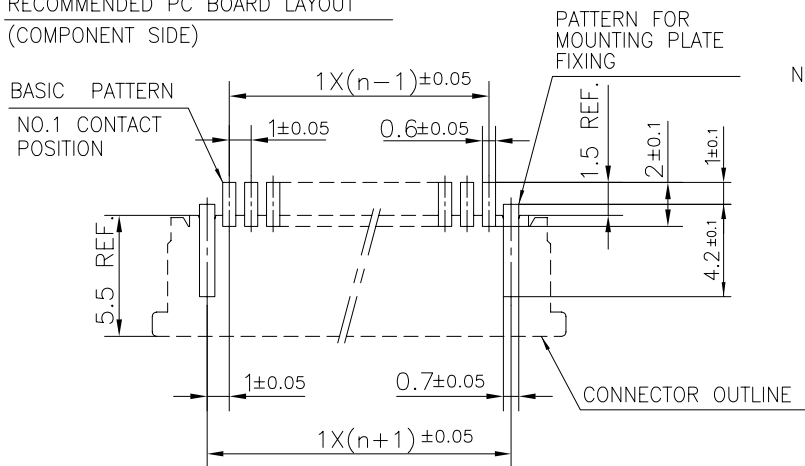
FCIconnect.com



PT. NO.	PARTS NAME	MATERIAL	Q'TY	NOTE
1	HOUSING	PPS RESIN GLASS REINFORCED (UL94V-0)	1	COLOR : BLACK
2	SLIDER		1	COLOR : BROWN
3	CONTACT	PHOSPHOR BRONZE	n	PLATING : TIN ALLOY
4	MOUNTING PLATE		2	

n : NO. OF CONTACTS

RECOMMENDED PC BOARD LAYOUT (COMPONENT SIDE)



NOTES

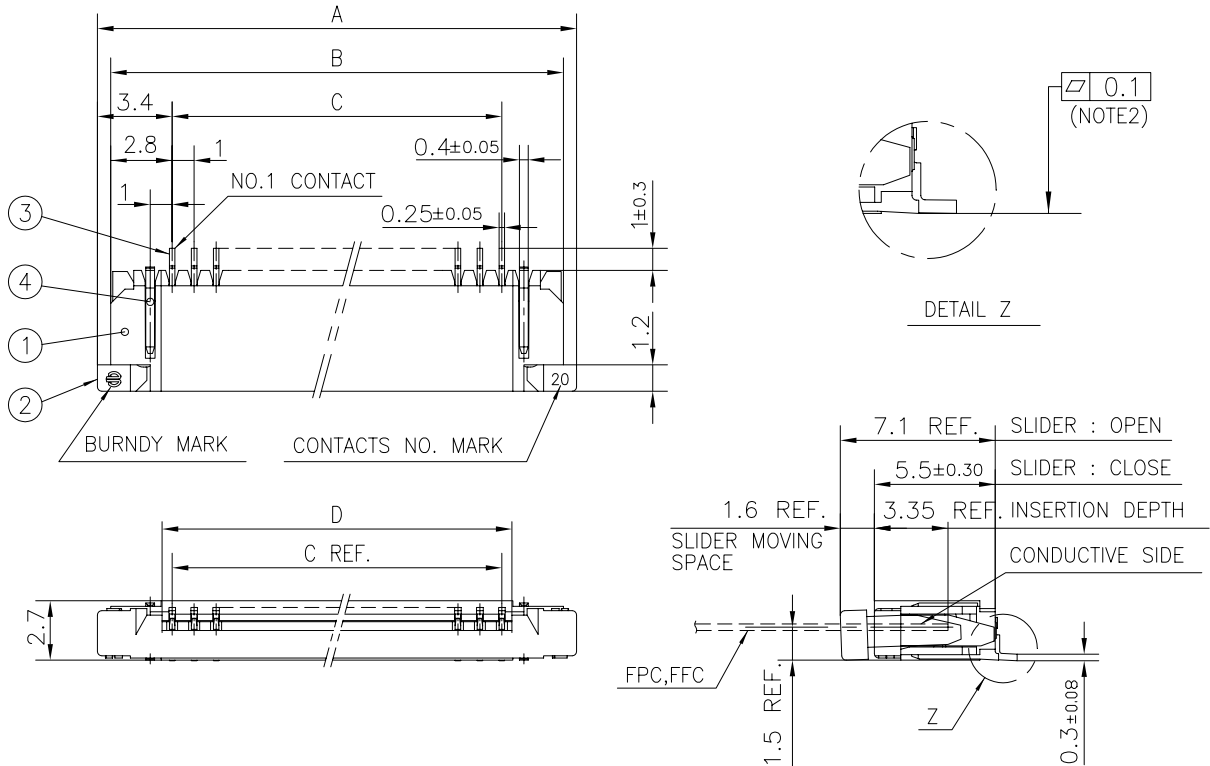
1. THIS PRODUCT IS THE CONNECTOR USED FOR FPC/FFC AND COPES WITH AUTOMATIC MOUNTING (SMT).
2. FLATNESS FOR CONTACT TERMINAL HOUSING MUST BE WITHIN TOLERANCE IN Z PORTION DETAILED DRAWING.
3. THIS PRODUCT IS LOWER CONTACT TYPE CONNECTOR WITH CABLE LOCK MECHANISM.

This document is the property of and embodies CONFIDENTIAL and PROPRIETARY information of FCI. No part of the information shown on this document may be used in any way or disclosed to others without the written consent of FCI. Copyright FCI.



FCIconnect.com

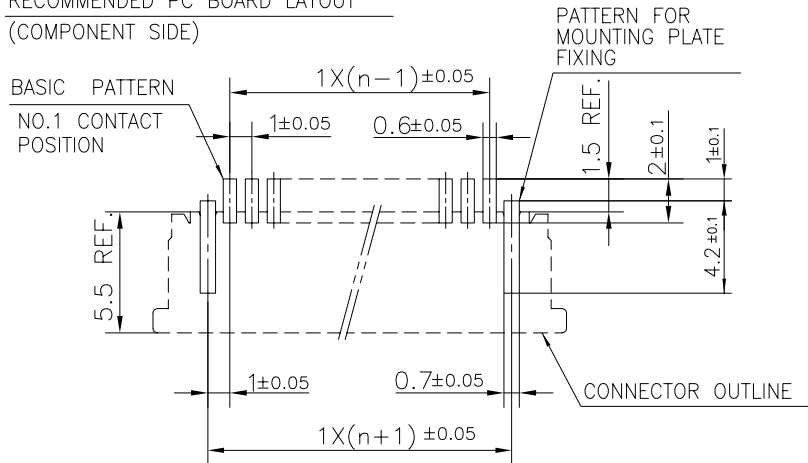
mat'l. code		surface ISO 1302 ✓		tolerance ISO 406 ISO 1101		projection		product family 58RF		CODE JP	
ltr A		ecn no		dr		date		title		1mm SPACING SMT CONNECTOR (Cat. No. SFW__R-3ST__)	
				angles linear		±0.2		mm		scale X	
				dr DENNIS GOH		09-06-17		dwg no		sheet 3 of 9 size	
				enr DENNIS GOH		09-06-17		10102948		A4	
				chr DENNIS GOH		09-06-17		type Product Customer Drawing			
				appd JOEY NG		09-06-17					
sheet index		revision sheet								Rev. A	



PT. NO.	PARTS NAME	MATERIAL	Q'TY	NOTE
1	HOUSING	PPS RESIN GLASS REINFORCED (UL94V-0)	1	COLOR : BLACK
2	SLIDER		1	COLOR : BROWN
3	CONTACT	PHOSPHOR BRONZE	n	PLATING : TIN ALLOY
4	MOUNTING PLATE		2	

n : NO. OF CONTACTS

RECOMMENDED PC BOARD LAYOUT (COMPONENT SIDE)



NOTES

1. THIS PRODUCT IS THE CONNECTOR USED FOR FPC/FFC AND COPES WITH AUTOMATIC MOUNTING (SMT).
2. FLATNESS FOR CONTACT TERMINAL HOUSING MUST BE WITHIN TOLERANCE IN Z PORTION DETAILED DRAWING.
3. THIS PRODUCT IS UPPER CONTACT TYPE CONNECTOR WITH CABLE LOCK MECHANISM.

mat'l. code				surface ISO 1302 ✓ tolerance ISO 406 ISO 1101		projection mm		product family 58RF		CODE JP	
ltr				ecn no		dr		date		title 1mm SPACING SMT CONNECTOR (Cat. No. SFW__R-4ST__)	
A											
sheet index				revision sheet		dr		DENNIS GOH		09-06-17	
						enr		DENNIS GOH		09-06-17	
						chr		DENNIS GOH		09-06-17	
						appd		JOEY NG		09-06-17	
										dwg no 10102948	
										sheet 4 of 9	
										size A4	
										type Product Customer Drawing	
										Rev. A	

CAT. NO. & DIMENSIONS

NO. OF CONTACTS (n)	CAT. NO. (NOTE2)	DIMENSIONS (NOTE3)		
		E MAX.	F ± 0.3	G ± 0.1
4	SFW4R-3/4STE5	22.4	16	—
5	SFW5R-3/4STE5	30.4	24	—
6	SFW6R-3/4STE5	30.4	24	—
7	SFW7R-3/4STE5	30.4	24	—
8	SFW8R-3/4STE5	30.4	24	—
9	SFW9R-3/4STE5	30.4	24	—
10	SFW10R-3/4STE5	30.4	24	—
11	SFW11R-3/4STE5	30.4	24	—
12	SFW12R-3/4STE5	30.4	24	—
13	SFW13R-3/4STE5	38.4	32	28.4
14	SFW14R-3/4STE5	38.4	32	28.4
15	SFW15R-3/4STE5	38.4	32	28.4
16	SFW16R-3/4STE5	38.4	32	28.4
17	SFW17R-3/4STE5	50.4	44	40.4
18	SFW18R-3/4STE5	50.4	44	40.4
19	SFW19R-3/4STE5	50.4	44	40.4
20	SFW20R-3/4STE5	50.4	44	40.4
21	SFW21R-3/4STE5	50.4	44	40.4
22	SFW22R-3/4STE5	50.4	44	40.4
23	SFW23R-3/4STE5	50.4	44	40.4
24	SFW24R-3/4STE5	50.4	44	40.4
25	SFW25R-3/4STE5	50.4	44	40.4
26	SFW26R-3/4STE5	50.4	44	40.4
27	SFW27R-3/4STE5	50.4	44	40.4
28	SFW28R-3/4STE5	62.4	56	52.4
29	SFW29R-3/4STE5	62.4	56	52.4
30	SFW30R-3/4STE5	62.4	56	52.4

CAT. NO. SFW (n) R - 3 ST E5

SERIES NAME

NO. OF CONTACTS

RIGHT ANGLE TYPE

FOR FPC/FFC, WITH CABLE LOCK MECHANISM

CONTACT DIRECTION

3. LOWER CONTACT TYPE  
4. UPPER CONTACT TYPE

FOR AUTOMATIC MOUNTING (SMT)

TAPE PACKAGING FOR E5 (1500pcs PER REEL)

NOTES

1. THIS PRODUCT IS THE CONNECTOR USED FOR FPC/FFC AND COPEES WITH AUTOMATIC MOUNTING (SMT).
2. THIS CATALOG NO. INDICATES PLASTIC TAPE PACKAGED CONNECTOR.
3. SEE PART DRAWINGS FOR DIMENSIONS E~G.
4. THIS PRODUCT IS THE CONNECTOR WITH CABLE LOCK MECHANISM.

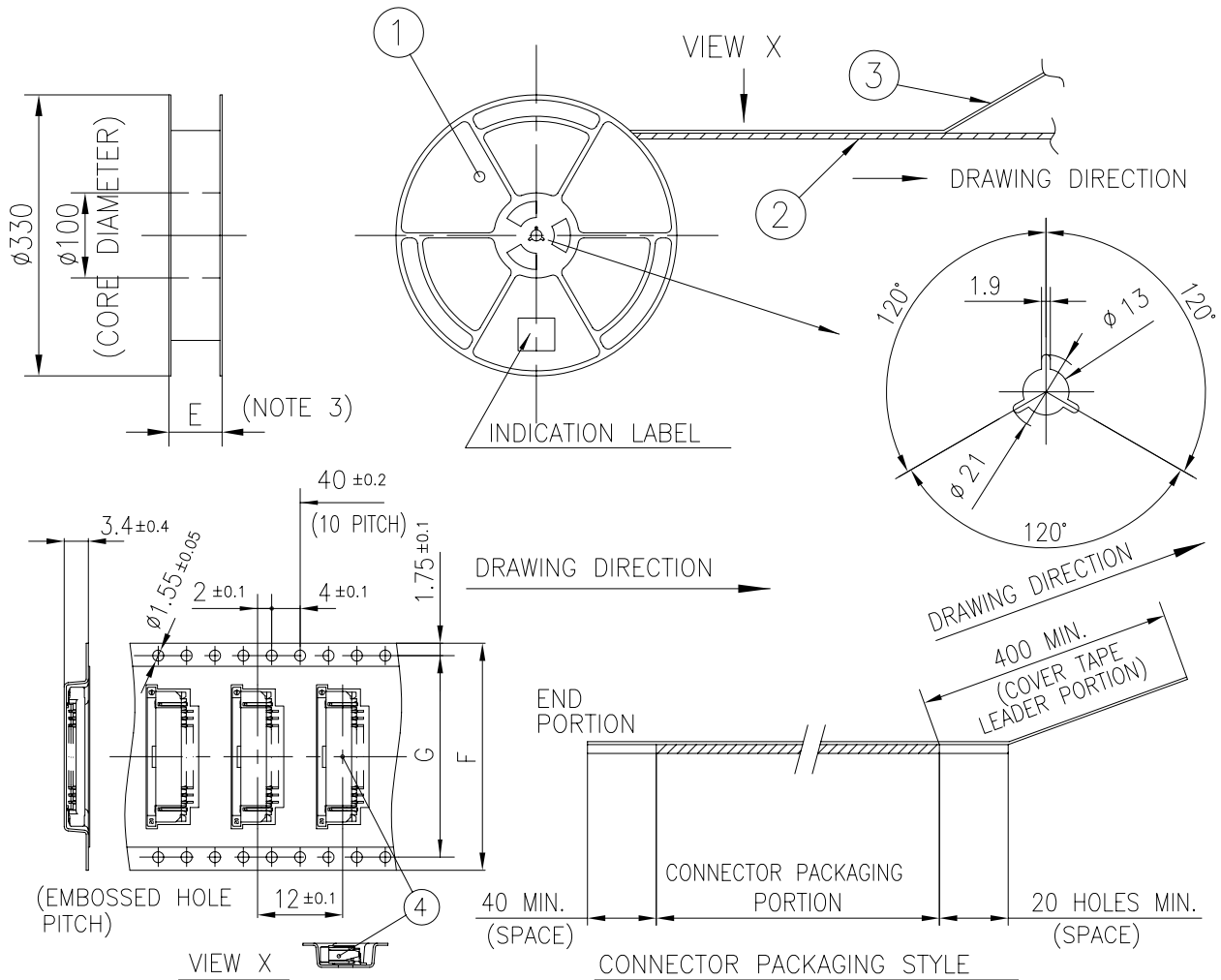
mat'l. code				surface 58 / tolerance ISO 1302 / ISO 406 / ISO 1101		projection		product family 58RF		CODE JP	
ltr A				tolerances unless otherwise specified		mm		title CAT NO. TABLE FOR PLASTIC TAPE PACKAGED 1mm SPACING SMT CONNECTOR (Cat. No. SFW__R-3/4STE5)			
ecn no				angles linear		scale		dwg no 10102948		sheet 5 of 9 size A4	
dr				DENNIS GOH		09-06-17		type Product Customer Drawing			
date				DENNIS GOH		09-06-17					
				chr		DENNIS GOH		09-06-17			
				appd		JOEY NG		09-06-17			
sheet index		revision sheet								Rev. A	



FCIconnect.com

Copyright FCI.





PT. NO.	PARTS NAME	CAT. NO.	MATERIAL	Q'TY	NOTE
1	REEL	_____	POLYSTYRENE	1	COLOR : WHITE/BLACK
2	PLASTIC (EMBOSS) TAPE	_____	PET	_____	COLOR : TRANSPARENCY (CLEAR)
3	COVER	_____	POLYESTER	_____	COLOR : TRANSPARENCY (CLEAR)
4	CONNECTOR	SFW__R-3ST__	SEE ATTACHED DWG.	1500	LOWER CONTACT TYPE

NOTES

1. THIS IS PLASTIC TAPE PACKAGED CONNECTOR WITH CABLE LOCK MECHANISM USED FOR FPC/FFC AND COPES WITH AUTOMATIC MOUNTING (SMT).
2. SEE JIS C 0806 (PACKING OF ELECTRONIC COMPONENTS ON CONTINUOUS TAPES (SURFACE MOUNTING DEVICES)) FOR SHAPE AND DIMENSIONS OF PLASTIC (EMBOSS) TAPE AND REEL.
3. E DIMENSION IS PORTION OF THE CORE.

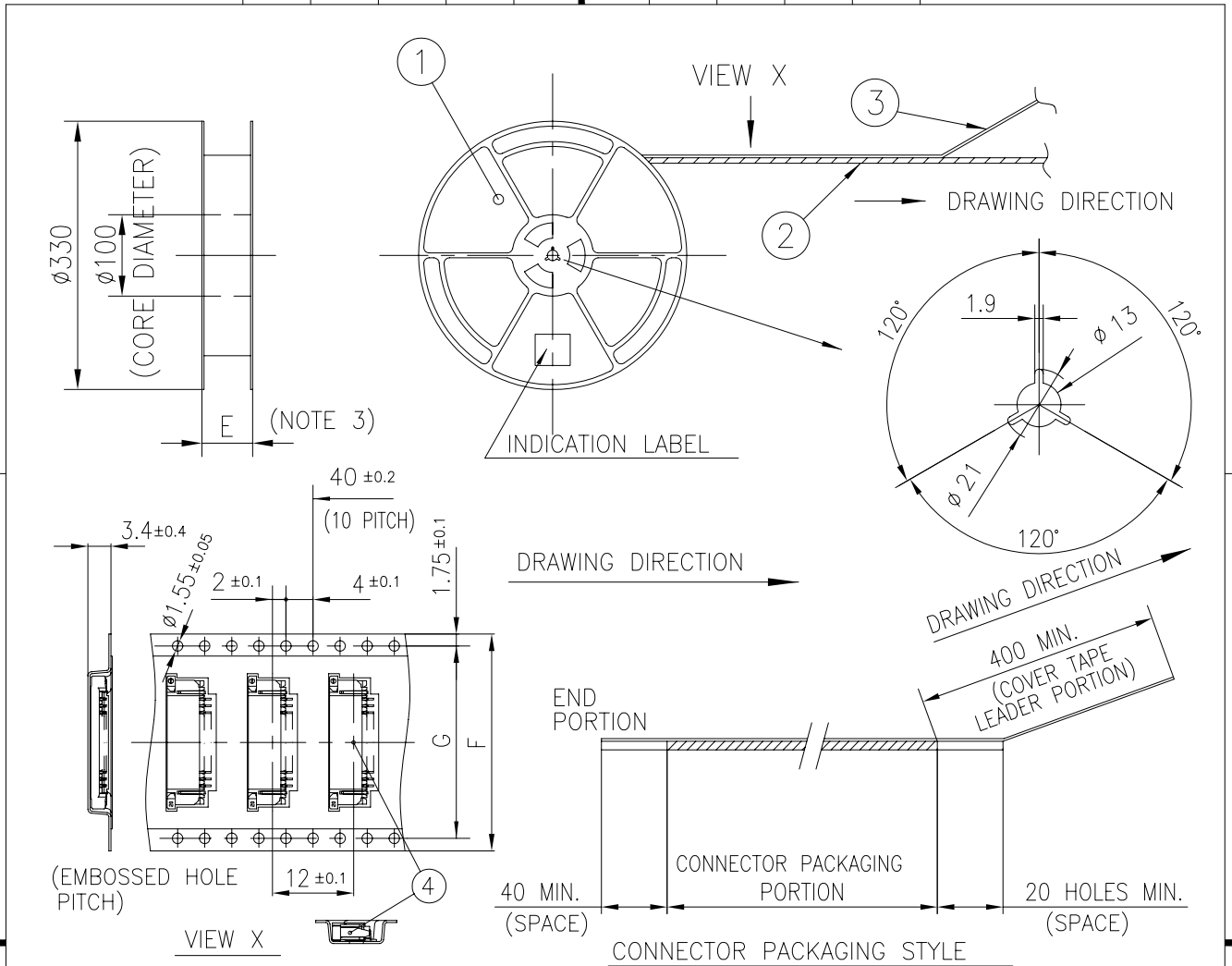
mat'l. code		surface ISO 1302 <input checked="" type="checkbox"/>		tolerance ISO 406 <input checked="" type="checkbox"/>		projection		product family 58RF		CODE JP	
ltr A		ecn no		dr		date		title PLASTIC TAPE PACKAGED 1mm SPACING SMT CONNECTOR (Cat. No. SFW__R-3STE5)		sheet 6 of 9	
angles ±5°		linear		±5		mm		scale $\times$		size A4	
dr DENNIS GOH		09-06-17		enr DENNIS GOH		09-06-17		dwg no 10102948		type Product Customer Drawing	
chr DENNIS GOH		09-06-17		appd JOEY NG		09-06-17		sheet 6 of 9		Rev. A	
sheet index		revision sheet									



FCIconnect.com

Copyright FCI.





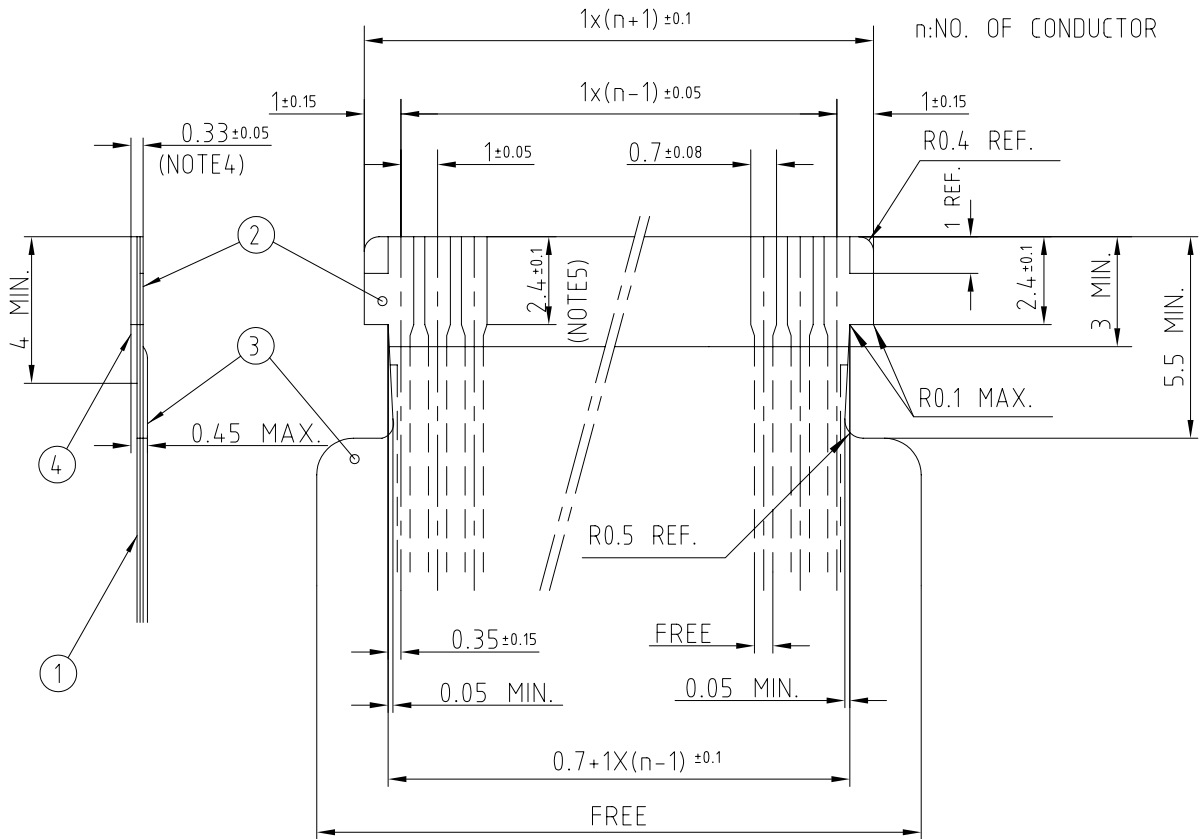
PT. NO.	PARTS NAME	CAT. NO.	MATERIAL	Q'TY	NOTE
1	REEL	_____	POLYSTYRENE	1	COLOR : WHITE/BLACK
2	PLASTIC (EMBOSS) TAPE	_____	PET	_____	COLOR : TRANSPARENCY (CLEAR)
3	COVER	_____	POLYESTER	_____	COLOR : TRANSPARENCY (CLEAR)
4	CONNECTOR	SFW__R-4ST__	SEE ATTACHED DWG.	1500	UPPER CONTACT TYPE

NOTES

- THIS IS PLASTIC TAPE PACKAGED CONNECTOR WITH CABLE LOCK MECHANISM USED FOR FPC/FFC AND COPES WITH AUTOMATIC MOUNTING (SMT).
- SEE JIS C 0806 (PACKING OF ELECTRONIC COMPONENTS ON CONTINUOUS TAPES (SURFACE MOUNTING DEVICES)) FOR SHAPE AND DIMENSIONS OF PLASTIC (EMBOSS) TAPE AND REEL.
- E DIMENSION IS PORTION OF THE CORE.

mat'l. code		surface ISO 1302 <input checked="" type="checkbox"/>		tolerance ISO 406 <input checked="" type="checkbox"/>		projection		product family 58RF		CODE JP	
ltr		ecn no		dr		date		title		PLASTIC TAPE PACKAGED 1mm SPACING SMT CONNECTOR (Cat. No. SFW__R-4STE5)	
A								mm			
				angles ±5°		linear		scale $\times$			
				dr		DENNIS GOH 09-06-17		dwg no		sheet 7 of 9	
				enr		DENNIS GOH 09-06-17		10102948		size A4	
				chr		DENNIS GOH 09-06-17		FCJ			
				appd		JOEY NG 09-06-17		type		Product Customer Drawing	
sheet index		revision sheet								Rev. A	

RECOMMENDED CABLE (FPC)



PT. NO.	PARTS NAME	MATERIAL	THICKNESS (um)
1	BASE FILM	POLYIMIDE OR POLYESTER OR EQUAL	25
2	CONDUCTOR	COPPER FOIL(PLATING : SOLDER 1um MIN.)	35
3	OVERLAY	POLYIMIDE OR POLYESTER OR EQUAL	—
4	SUPPORTING TAPE	POLYESTER OR POLYIMIDE OR EQUAL	188

- NOTES
1. THIS DRAWING INDICATES THE FPC USED THE CONNECTOR WITH CABLE LOCK MECHANISM.
  2. NO BURR AT EACH PORTION.
  3. NO PEELING IN COMMON USE.
  4. TOTAL THICKNESS LIMIT OF EACH MATERIAL (INCLUDING ADHESIVE AGENT) IS SPECIFIED.
  5. THIS DIMENSION INDICATES THE RANGE FOR 0.7 ±0.08 CONDUCTOR WIDTH.

mat'l. code		surface 58 / tolerance ISO 1302 ISO 406 ISO 1101		projection		product family 58RF		CODE JP	
ltr A		ecn no		dr		date		title	
								RECOMMENDED CABLE (Cat. No. SFW_R-3/4_)	
				angles linear		mm		scale X	
		dr DENNIS GOH		09-06-17		dwg no		sheet 8 of 9 size	
		enr DENNIS GOH		09-06-17		10102948		A4	
		chr DENNIS GOH		09-06-17					
		appd JOEY NG		09-06-17					
sheet index		revision sheet						Rev. A	

This document is the property of and embodies CONFIDENTIAL and PROPRIETARY information of FCI. No part of the information shown on this document may be used in any way or disclosed to others without the written consent of FCI. Copyright FCI.



FCIconnect.com

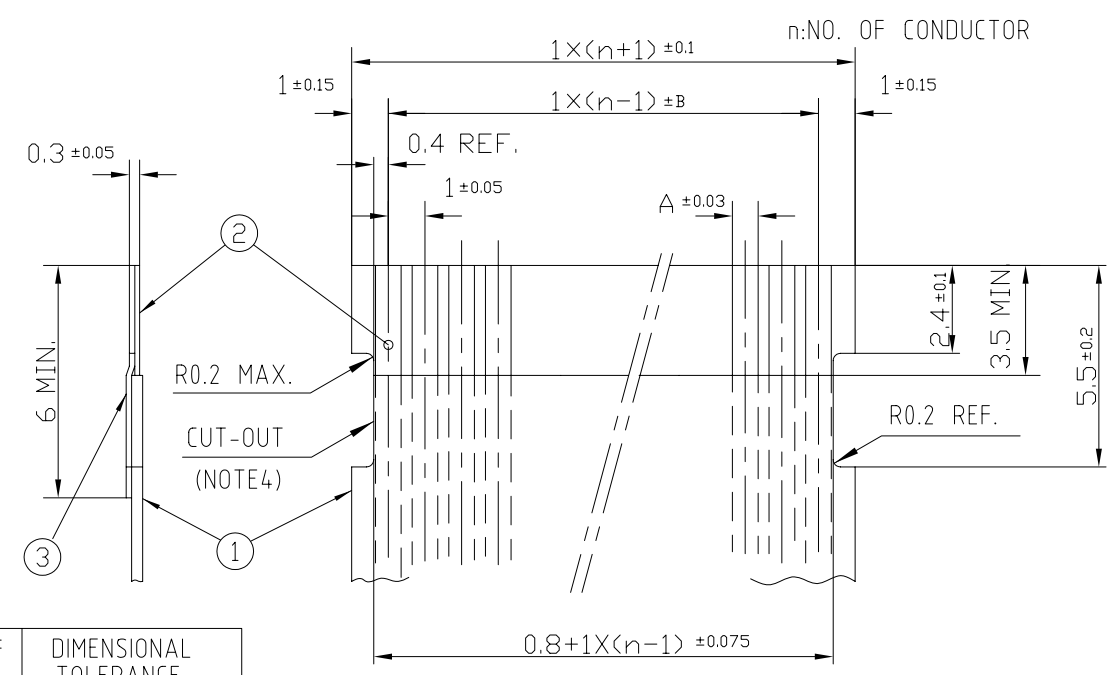


This document is the property of and embodies CONFIDENTIAL and PROPRIETARY information of FCI. No part of the information shown on this document may be used in any way or disclosed to others without the written consent of FCI. Copyright FCI.



FCIconnect.com

RECOMMENDED CABLE (FFC)



KIND OF FFC (NOTES5)	DIMENSIONAL TOLERANCE	
	A	B
1	0.7	0.1
2	0.6	0.07

PT. NO.	PARTS NAME	MATERIAL	NOTE
1	INSULATOR	FLAME RESISTING POLYESTER OR EQUAL	
2	CONDUCTOR	COPPER FOIL	PLATING: TIN OR SOLDER 1um MIN.
3	SUPPORTING TAPE	FLAME RESISTING POLYESTER OR EQUAL	

- NOTES
- THIS DRAWING INDICATES THE FFC USED THE CONNECTOR WITH CABLE LOCK MECHANISM.
  - NO BURR AT EACH PORTION.
  - NO PEELING IN COMMON USE.
  - THERE IS A POSSIBILITY THAT THE CUT-OUT CROSSES THE CONDUCTOR BECAUSE OF DIMENSIONAL TOLERANCE.
  - EITHER KIND1 OR KIND2 OF FFC CAN ACCEPT DIMENSIONAL TOLERANCE a AND b.

mat'l. code		surface 58 / tolerance ISO 1302 / ISO 406 / ISO 1101		projection		product family 58RF		CODE JP	
ltr A		ecn no		dr		date		title	
								RECOMMENDED CABLE (Cat. No. SFW_R-3/4_)	
		angles		linear		mm		scale	
		dr		DENNIS GOH		09-06-17		dwg no sheet 9 of 9 size	
		enr		DENNIS GOH		09-06-17		10102948 A4	
		chr		DENNIS GOH		09-06-17			
		appd		JOEY NG		09-06-17		type Product Customer Drawing	
sheet index		revision sheet						Rev. A	