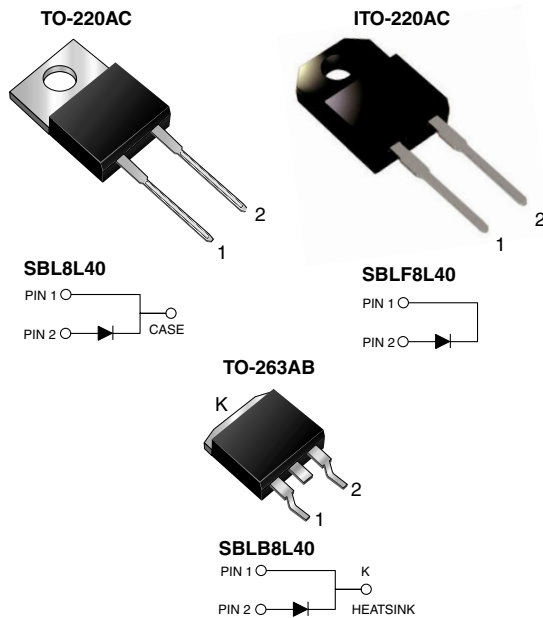


Schottky Barrier Rectifier



FEATURES

- Guardring for overvoltage protection
- Lower power losses, high efficiency
- Low forward voltage drop
- High forward surge capability
- High frequency operation
- Meets MSL level 1, per J-STD-020C, LF max peak of 245 °C (for TO-263AB package)
- Solder Dip 260 °C, 40 seconds (for TO-220AC & ITO-220AC package)
- Component in accordance to RoHS 2002/95/EC and WEEE 2002/96/EC



TYPICAL APPLICATIONS

For use in low voltage, high frequency rectifier of switching mode power supplies, freewheeling diodes, dc-to-dc converters and polarity protection application.

MECHANICAL DATA

Case: TO-220AC, ITO-220AC, TO-263AB

Epoxy meets UL 94V-0 flammability rating

Terminals: Matte tin plated leads, solderable per J-STD-002B and JESD22-B102D

E3 suffix for commercial grade, HE3 suffix for high reliability grade (AEC Q101 qualified)

Polarity: As marked

Mounting Torque: 10 in-lbs maximum

MAJOR RATINGS AND CHARACTERISTICS

$I_{F(AV)}$	8 A
V_{RRM}	40 V
I_{FSM}	250 A
V_F	0.41 V
$T_J \text{ max}$	125 °C

MAXIMUM RATINGS ($T_C = 25 \text{ °C}$ unless otherwise noted)

PARAMETER	SYMBOL	VALUE	UNIT
Maximum repetitive peak reverse voltage	V_{RRM}	40	V
Working peak reverse voltage	V_{RWM}	28	V
Maximum DC blocking voltage	V_{DC}	40	V
Maximum average forward rectified current (see Fig. 1)	$I_{F(AV)}$	8	A
Peak forward surge current 8.3 ms single half sine-wave superimposed on rated load per leg	I_{FSM}	250	A
Peak repetitive reverse current at $t_p = 2 \text{ } \mu\text{s}$, 1 kHz	I_{RRM}	1.0	A
Voltage rate of change (rated V_R)	dv / dt	10000	V / μs
Operating junction and storage temperature range	T_J, T_{STG}	- 65 to + 125	°C
Isolation voltage (ITO-220AC only) From terminal to heatsink $t = 1 \text{ minute}$	V_{AC}	1500	V

ELECTRICAL CHARACTERISTICS ($T_C = 25\text{ }^\circ\text{C}$ unless otherwise noted)				
PARAMETER	TEST CONDITIONS	SYMBOL	VALUE	UNIT
Maximum instantaneous forward voltage ⁽¹⁾	at $I_F = 4\text{ A}$, $T_j = 25\text{ }^\circ\text{C}$	V_F	0.44	V
	at $I_F = 4\text{ A}$, $T_j = 125\text{ }^\circ\text{C}$		0.35	
	at $I_F = 8\text{ A}$, $T_j = 25\text{ }^\circ\text{C}$		0.50	
	at $I_F = 8\text{ A}$, $T_j = 125\text{ }^\circ\text{C}$		0.41	
Maximum instantaneous reverse current at DC blocking voltage ⁽¹⁾	$T_j = 25\text{ }^\circ\text{C}$ $T_j = 100\text{ }^\circ\text{C}$	I_R	1.0 75	mA

Note:

(1) Pulse test: 300 μs pulse width, 2 % duty cycle

THERMAL CHARACTERISTICS ($T_C = 25\text{ }^\circ\text{C}$ unless otherwise noted)					
PARAMETER	SYMBOL	SBL	SBLF	SBLB	UNIT
Typical thermal resistance from junction to case per leg	$R_{\theta JC}$	3.2	4.0	3.2	$^\circ\text{C/W}$

ORDERING INFORMATION (Example)					
PACKAGE	PREFERRED P/N	UNIT WEIGHT (g)	PACKAGE CODE	BASE QUANTITY	DELIVERY MODE
TO-220AC	SBL8L40-E3/45	1.80	45	50/Tube	Tube
ITO-220AC	SBLF8L40-E3/45	1.94	45	50/Tube	Tube
TO-263AB	SBLB8L40-E3/45	1.33	45	50/Tube	Tube
TO-263AB	SBLB8L40-E3/81	1.33	81	800/Reel	Tape Reel
TO-220AC	SBL8L40HE3/45 ⁽¹⁾	1.80	45	50/Tube	Tube
ITO-220AC	SBLF8L40HE3/45 ⁽¹⁾	1.94	45	50/Tube	Tube
TO-263AB	SBLB8L40HE3/45 ⁽¹⁾	1.33	45	50/Tube	Tube
TO-263AB	SBLB8L40HE3/81 ⁽¹⁾	1.33	81	800/Reel	Tape Reel

Note:

(1) Automotive grade AEC Q101 qualified

RATINGS AND CHARACTERISTICS CURVES

($T_A = 25\text{ }^\circ\text{C}$ unless otherwise noted)

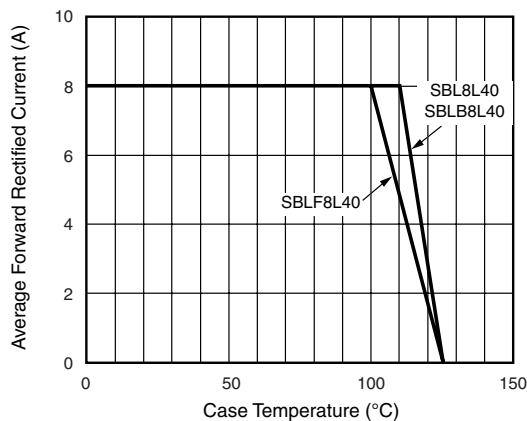


Figure 1. Maximum Forward Current Derating Curve

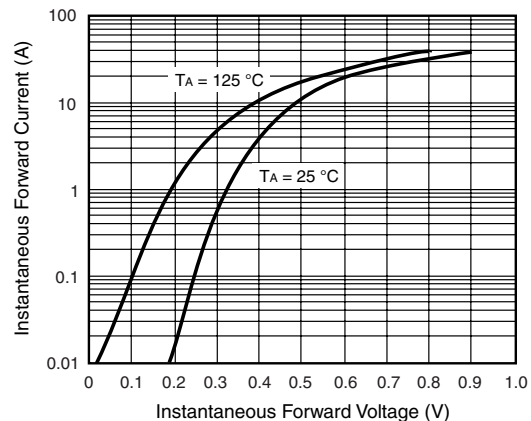


Figure 2. Typical Instantaneous Forward Characteristics

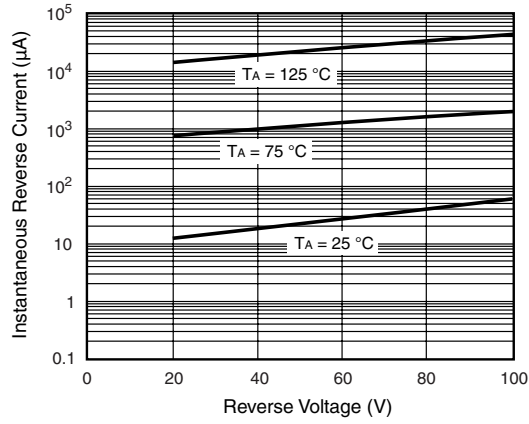


Figure 3. Typical Reverse Characteristics

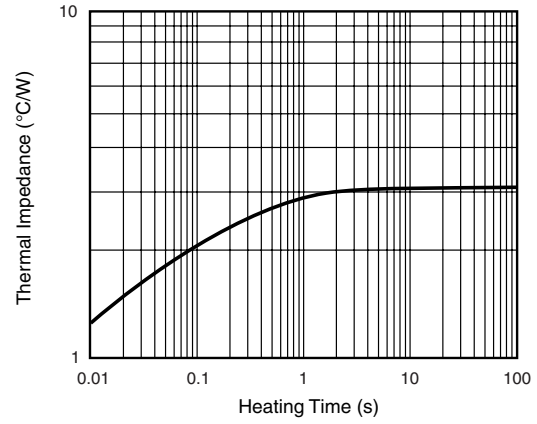


Figure 5. Transient Thermal Impedance

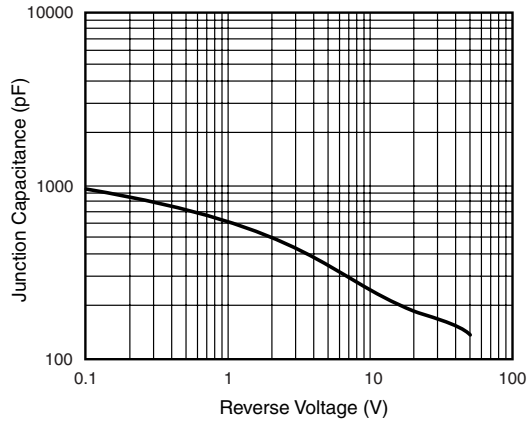


Figure 4. Typical Junction Capacitance

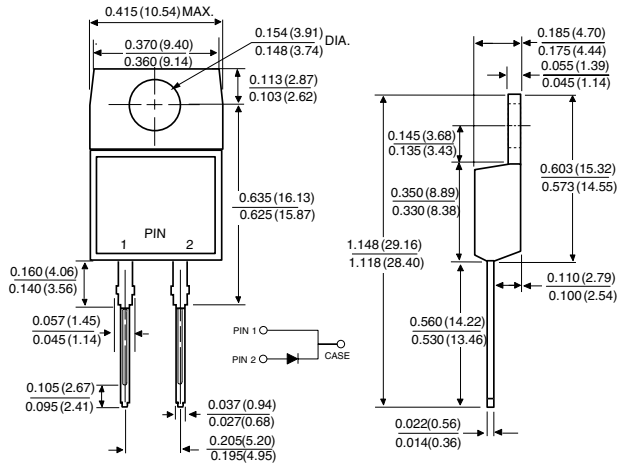
SBL8L40, SBLF8L40 & SBLB8L40

Vishay General Semiconductor

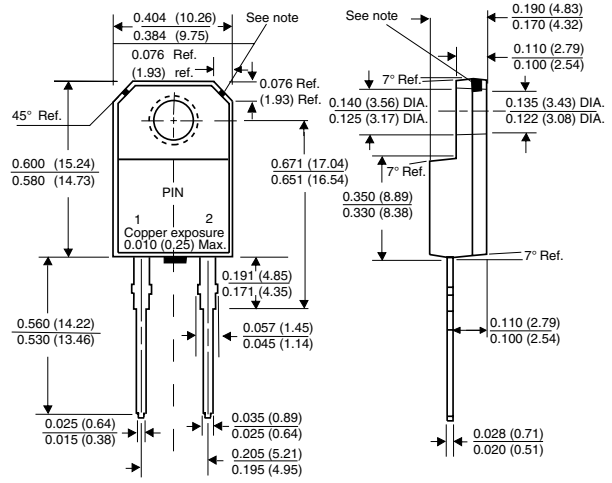


PACKAGE OUTLINE DIMENSIONS in inches (millimeters)

TO-220AC

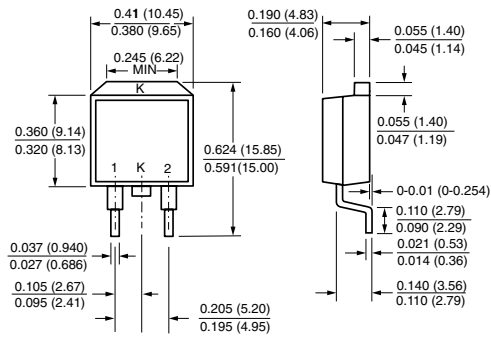


ITO-220AC

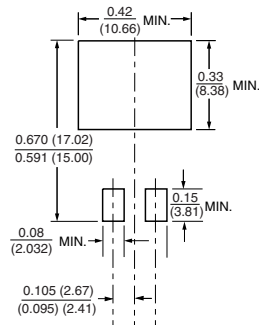


Note: Copper exposure is allowable for 0.005 (0.13) Max. from the body

TO-263AB



Mounting Pad Layout





Disclaimer

All product specifications and data are subject to change without notice.

Vishay Intertechnology, Inc., its affiliates, agents, and employees, and all persons acting on its or their behalf (collectively, "Vishay"), disclaim any and all liability for any errors, inaccuracies or incompleteness contained herein or in any other disclosure relating to any product.

Vishay disclaims any and all liability arising out of the use or application of any product described herein or of any information provided herein to the maximum extent permitted by law. The product specifications do not expand or otherwise modify Vishay's terms and conditions of purchase, including but not limited to the warranty expressed therein, which apply to these products.

No license, express or implied, by estoppel or otherwise, to any intellectual property rights is granted by this document or by any conduct of Vishay.

The products shown herein are not designed for use in medical, life-saving, or life-sustaining applications unless otherwise expressly indicated. Customers using or selling Vishay products not expressly indicated for use in such applications do so entirely at their own risk and agree to fully indemnify Vishay for any damages arising or resulting from such use or sale. Please contact authorized Vishay personnel to obtain written terms and conditions regarding products designed for such applications.

Product names and markings noted herein may be trademarks of their respective owners.