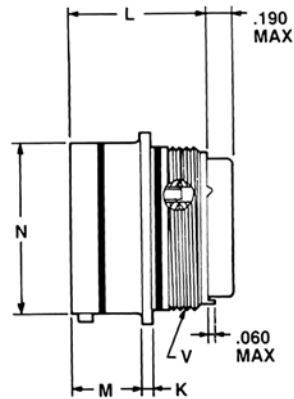
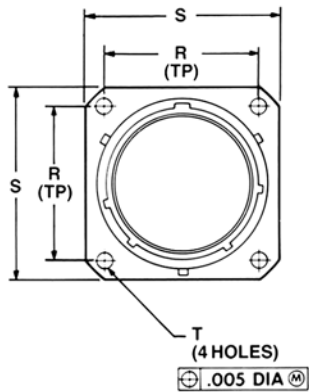


PTS00 DR (MS3470), (MS3472)* wall mounting receptacle



PTS00DRL -XX-XXX
 * PTPS00DRL-XX-XXX
 MS3470XX-XXX
 * MS3472XX-XXX

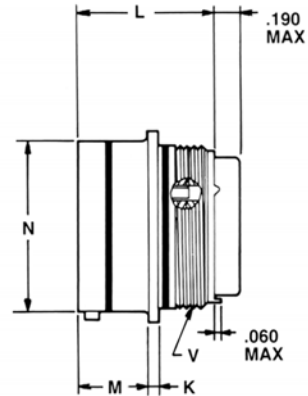
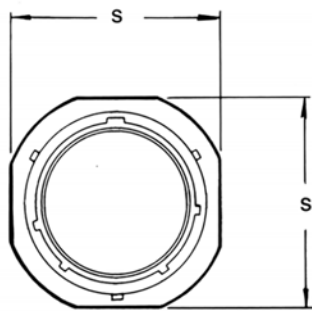
To complete part number see how to order on page 12.
 * Wide flange version

Shell Size	Receptacle Front View						Receptacle Side View					
	MS3470 (PTS00)			MS3472 (PTPS00)			K +.011 -.010	L Max.	MS3470 (PTS00)	MS3472 (PTPS00)	N Dia +.001 -.005	V Thread Class 2A UNEF (Plated)
	R (TP)	S +.011 -.010	T Dia ±.005	R (TP)	S +.011 -.010	T Dia. ±.005			M +.005 -.000	M +.010 -.000		
8	.594	.812	.120	.734	1.047	.150	.062	1.156	.453	.462	.473	.5000-20
10	.719	.938	.120	.812	1.125	.150	.062	1.156	.453	.462	.590	.6250-24
12	.812	1.031	.120	.938	1.250	.150	.062	1.156	.453	.462	.750	.7500-20
14	.906	1.125	.120	1.031	1.344	.150	.062	1.156	.453	.462	.875	.8750-20
16	.969	1.219	.120	1.125	1.438	.150	.062	1.156	.453	.462	1.000	1.0000-20
18	1.062	1.312	.120	1.203	1.516	.150	.062	1.156	.453	.462	1.125	1.0625-18
20	1.156	1.438	.120	1.297	1.672	.150	.094	1.219	.556	.556	1.250	1.1875-18
22	1.250	1.562	.120	1.375	1.750	.150	.094	1.219	.556	.556	1.375	1.3125-18
24	1.375	1.688	.147	1.500	1.875	.150	.094	1.219	.589	.589	1.500	1.4375-18

All dimensions for reference only.

PTS01 DR (MS3471)

cable connecting receptacle



PTS01DRL-XX-XXX
MS3471XX-XXX

PTS01DRL-XX-XXX
MS3471XX-XXX

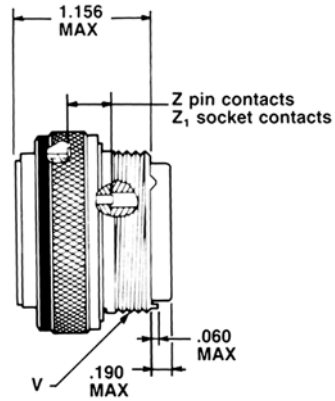
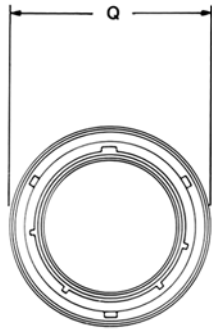
Note: This connector style is sometimes referred to as a cable connecting "plug". It does, however, mate with either a straight or 90 degree plug.
To complete part number see how to order on page 12.

Shell Size	Receptacle Front View	Receptacle Side View				
	S +.011 -.010	K +.011 -.010	L Max.	M +.005 -.000	N Dia +.001 -.005	V Thread Class 2A UNEF (Plated)
8	.812	.062	1.156	.453	.473	.5000-20
10	.938	.062	1.156	.453	.590	.6250-24
12	1.031	.062	1.156	.453	.750	.7500-20
14	1.125	.062	1.156	.453	.875	.8750-20
16	1.219	.062	1.156	.453	1.000	1.0000-20
18	1.312	.062	1.156	.453	1.125	1.0625-18
20	1.438	.094	1.219	.556	1.250	1.1875-18
22	1.562	.094	1.219	.556	1.375	1.3125-18
24	1.688	.094	1.219	.589	1.500	1.4375-18

All dimensions for reference only.

PTS06 DR (MS3475)*, (MS3476) straight plug

www.DataSheet4U.com



PTS06DRL-XX-XXX
* PTGS06DRL-XX-XXX
MS3476XX-XXX
* MS3475XX-XXX

To complete part number see how to order on page 12.
*With grounding fingers

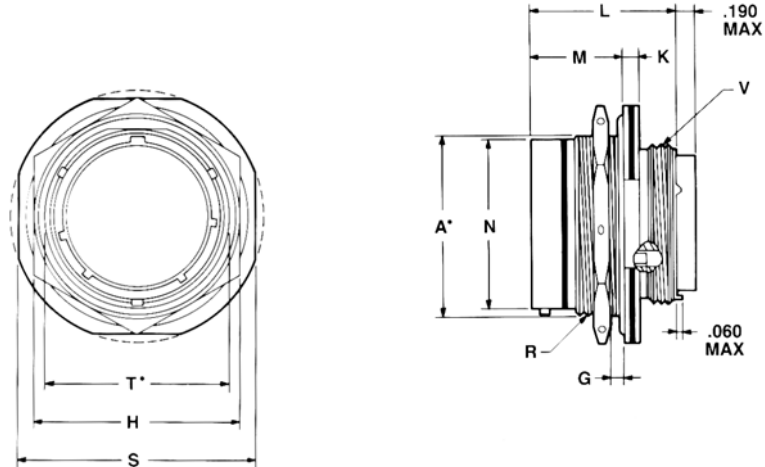
Shell Size	Plug Front View		Plug Side View				
	Q Dia. Max.	Modified Major Dia.	V Thread Class 2A UNEF (Plated)	Z ±.031 Contact Size		Z ¹ ±.031 Contact Size	
				20	16	20	16
8	.782	.476 – .470	.5000-20	.430	.511	.384	.475
10	.926	.604 – .600	.6250-24	.430	.511	.384	.475
12	1.043	.728 – .724	.7500-20	.430	.511	.384	.475
14	1.183	.853 – .849	.8750-20	.430	.511	.384	.475
16	1.305	.978 – .974	1.0000-20	.430	.511	.384	.475
18	1.391	1.034 – 1.030	1.0625-18	.430	.511	.384	.475
20	1.531	1.158 – 1.154	1.1875-18	.369	.460	.323	.414
22	1.656	1.283 – 1.279	1.3125-18	.369	.460	.323	.414
24	1.777	1.408 – 1.404	1.4375-18	.369	.460	.323	.414

All dimensions for reference only.

PTS07 DR (MS3474)

jam nut receptacle

www.DataSheet4U.com



PTS07DRL-XX-XXX
MS3474XX-XXX

To complete part number see how to order on page 12.
• "D" shaped mounting hole dimensions

Shell Size	Receptacle Front View			Receptacle Side View							
	H +.017 -.016	S +.011 -.010	T* Dia. +.010 -.000	A* +.000 -.010	G Max.	K +.006 -.010	L Max.	M +.005 -.000	N Dia. +.001 -.005	R Thread Class 2A UNEF (Plated)	V Thread Class 2A UNEF (Plated)
8	.750	.938	.572	.542	.187	.107	1.141	.691	.473	.5625-24	.5000-20
10	.875	1.062	.697	.669	.187	.107	1.141	.691	.590	.6875-24	.6250-24
12	1.062	1.250	.884	.830	.187	.107	1.141	.691	.750	.8750-20	.7500-20
14	1.188	1.375	1.009	.955	.187	.107	1.141	.691	.875	1.0000-20	.8750-20
16	1.312	1.500	1.134	1.084	.187	.107	1.141	.691	1.000	1.1250-18	1.0000-20
18	1.438	1.625	1.259	1.208	.187	.107	1.141	.691	1.125	1.2500-18	1.0625-18
20	1.562	1.812	1.384	1.333	.250	.107	1.203	.754	1.250	1.3750-18	1.1875-18
22	1.688	1.938	1.509	1.459	.250	.107	1.203	.754	1.375	1.5000-18	1.3125-18
24	1.812	2.062	1.634	1.580	.219	.107	1.203	.754	1.500	1.6250-18	1.4375-18

All dimensions for reference only.