

300 MHz ONE-PORT SAW RESONATOR

ASR300.00A01-SD02



RoHS
Compliant



9.5 x ϕ 3.0mm

FEATURES:

- Low loss
- ϕ 3.0mm leaded package
- 50ohms termination

APPLICATIONS:

- Wireless remote controller
- Mobile communication

STANDARD SPECIFICATIONS:

MAXIMUM RATINGS

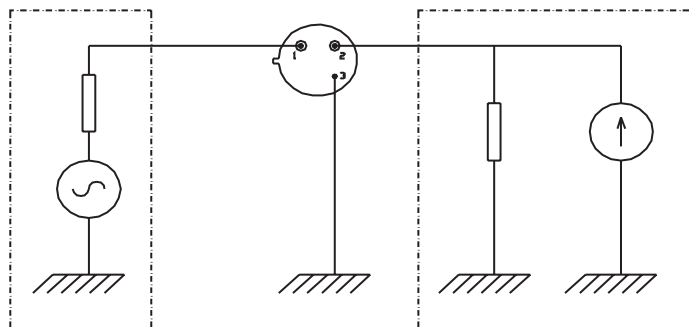
Item	Value
Operating Temperature Range	-40C to +85C
Storage Temperature Range	-45C to +85C
DC Voltage	10V
AC	10V (50Hz / 60Hz)
RF Power Dissipation	0 dBm

ELECTRICAL CHARACTERISTICS

Item	Units	Minimum	Typical	Maximum
Center Frequency Fo	MHz	299.925	300.00	300.075
Insertion Loss	dB	--	1.5	2.5
Quality Factor				
Unloaded Q		--	11,000	--
50 Ω Loaded Q		--	2,000	--
Temperature Stability				
Turnover Temperature	$^{\circ}$ C	10	25	40.0
Freq. Temp.Coefficient	ppm/ $^{\circ}$ C ²	--	0.032	--
Frequency Aging	ppm/yr	--	< \pm 10	--
DC Insulation Resistance	M Ω	1.0	--	--
RF Equivalent RLC model				
Motional Resistance R1	Ω	--	12	19
Motional Inductance L1	μ H	--	94	--
Motional Capacitance C1	fF	--	2.90	--
Shunt Static Capacitance C0	pF	2.7	3.0	3.3

Test Temperature: 22 $^{\circ}$ C \pm 2 $^{\circ}$ C
 Terminating source impedance: 50 Ω
 Terminating load impedance: 50 Ω

TEST CIRCUIT



303 MHz ONE-PORT SMD SAW RESONATOR

ASR300.00A01-SD02

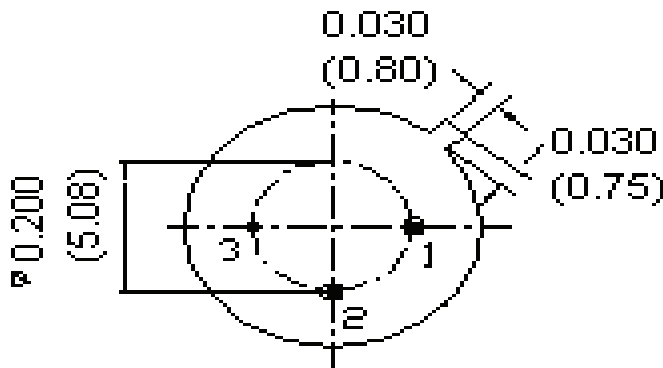
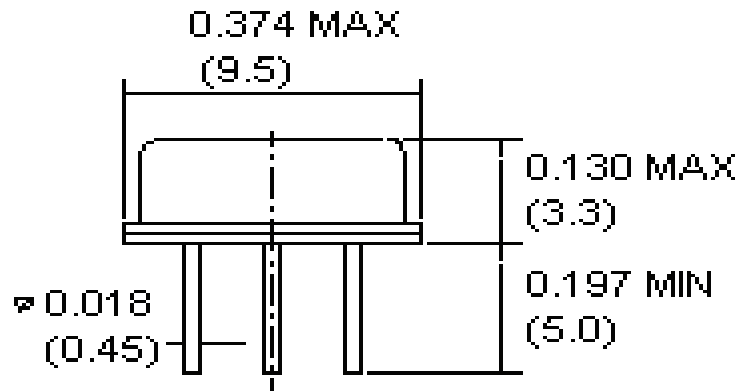


RoHS
Compliant



9.5 x ϕ 3.0mm

OUTLINE DIMENSIONS:



Pin No.	Function
1	Input
2	Output
3	Ground

Dimension : mm

NOTE: Abracon manufactured products are intended for general commercial and industrial use. For applications requiring high reliability and/or presenting extreme operating environment, written consent & authorization from Abracon is required.

ABRACON IS
ISO9001:2008
CERTIFIED



Visit www.abracon.com for Terms & Conditions of Sale **Revised: 04.22.10**
30332 Esperanza, Rancho Santa Margarita, California 92688
tel 949-546-8000 | fax 949-546-8001 | www.abracon.com