

IEC Appliance Inlet C14, Snap-in Mounting, Front Side, Solder or Quick-connect Terminal



C14

 70 °C

**Description**

- Panel Mount:
Snap-in version, from front side
- Appliance Inlet, Pin temperature 70 °C Protection class I
- Solder terminals

Approvals

- UL File Number: E132270
- CSA File Number: 73690

Characteristics

- Designed for standard applications
- Qualified for use in equipment according IEC/EN 60950

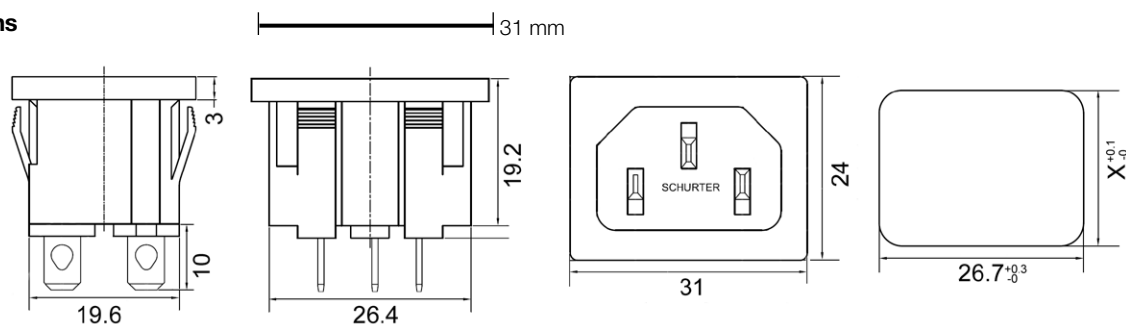
References**Weblinks**

[pdf](#), [General Product Information](#), [Approvals](#), [RoHS](#), [CHINA-RoHS](#), [Mating Connectors](#), [e-Store](#), [SCHURTER-Stock-Check](#), [Distributor-Stock-Check](#), [Accessories](#)

Technical Data

Ratings IEC	10A / 250VAC; 50Hz
Ratings UL/CSA	15A / 250VAC; 60Hz
Dielectric Strength	> 2kVAC between L-N > 2kVAC between L/N-PE (1 min/50Hz)
Allowable Operation Temp.	-25 °C to +70 °C
Degree of Protection	from front side IP 30 acc. to IEC 60529
Protection Class	Suitable for appliances with protection class 1 acc. to IEC 61140
Terminal	Solder
Panel Thickness s	Snap-in from 0.8mm to 2mm universal
Material: Housing	Thermoplastic, black, UL 94V-0

Appliance Inlet	C14 acc. to IEC/EN 60320-1 UL 498, CSA C22.2 no. 42 (for cold conditions) pin-temperature 70 °C, 10A, Protection Class 1
-----------------	---

Dimensions

Terminals: 4.8x0.8
 X=20.3: 0.8-1.2
 X=20.5: 1.3-2.0

Variants

Terminal	Order Number
Solder	4300.0704

Packaging unit 50 Pcs

Mating Outlets/Connectors

Category / Description

Datasheet

Connectors (Inlets/Outlets)
0711



[Appliance Inlet Overview complete](#)

IEC Appliance inlet C16	0169
-------------------------	------

[Appliance Inlet further types to 0711](#)



[Appliance Outlet Overview complete](#)

IEC Appliance Outlet F, Screw-on Mounting, Front Side, Solder Terminal	4787
--	------

IEC Appliance Outlet F, Snap-in Mounting, Front Side, Solder or Quick-connect Terminal	4788
--	------

IEC Appliance Outlet F or H, Screw-on Mounting, Front Side, Solder, PCB or Quick-connect Terminal	5091
---	------

IEC Appliance Outlet F or H, Screw-on Mounting, Front Side, Solder or Quick-connect Terminal	5092
--	------

[Appliance Outlet further types to 0711](#)

[Connector Overview complete](#)



IEC Connector C15, Rewireable, Straight	0101
---	------

IEC Connector C15A, Rewireable, Straight	0102
--	------

IEC Connector C15A, Rewireable, Straight	0102-G
--	--------

IEC Connector C15A, Rewireable, Angled	0112
--	------

IEC Connector C13, Rewireable, Angled	4012
---------------------------------------	------

[Connector further types to 0711](#) ...

[Power Cord Overview complete](#)



Power Cord with IEC Connector C13, Angled	0311
---	------

Power Cord with IEC Connector C13, Angled	3011
---	------

Power Cord with IEC Connector C13, Angled	3012
---	------

Power Cord with IEC Connector C13, Angled	3013
---	------

Power Cord with IEC Connector C13	3020
-----------------------------------	------

[Power Cord further types to 0711](#) ...

[Power Supply or Interconnection Cord Overview complete](#)

Divers Power Supply and Interconnection Cords 10 A	Kabelverbindung/10 A
--	----------------------

[Power Supply or Interconnection Cord further types to 0711](#)

IEC Appliance Inlet C14, Snap-in Mounting, Front Side, Solder or Quick-connect Terminal



C14

 70 °C

**Description**

- Panel Mount:
Snap-in version, from front side
- Appliance Inlet, Pin temperature 70 °C Protection class I
- Solder terminals

Approvals

- UL File Number: E132270
- CSA File Number: 73690

Characteristics

- Designed for standard applications
- Qualified for use in equipment according IEC/EN 60950

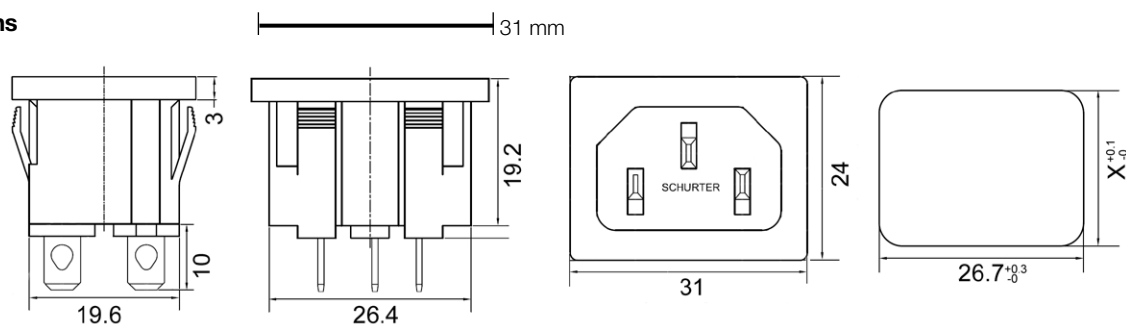
References**Weblinks**

[pdf](#), [General Product Information](#), [Approvals](#), [RoHS](#), [CHINA-RoHS](#), [Mating Connectors](#), [e-Store](#), [SCHURTER-Stock-Check](#), [Distributor-Stock-Check](#), [Accessories](#)

Technical Data

Ratings IEC	10A / 250VAC; 50Hz
Ratings UL/CSA	15A / 250VAC; 60Hz
Dielectric Strength	> 2kVAC between L-N > 2kVAC between L/N-PE (1 min/50Hz)
Allowable Operation Temp.	-25 °C to +70 °C
Degree of Protection	from front side IP 30 acc. to IEC 60529
Protection Class	Suitable for appliances with protection class 1 acc. to IEC 61140
Terminal	Solder
Panel Thickness s	Snap-in from 0.8mm to 2mm universal
Material: Housing	Thermoplastic, black, UL 94V-0

Appliance Inlet	C14 acc. to IEC/EN 60320-1 UL 498, CSA C22.2 no. 42 (for cold conditions) pin-temperature 70 °C, 10A, Protection Class 1
-----------------	---

Dimensions

Terminals: 4.8x0.8
 X=20.3: 0.8-1.2
 X=20.5: 1.3-2.0

Variants

Terminal	Order Number
Solder	4300.0704

Packaging unit 50 Pcs

Mating Outlets/Connectors

Category / Description



[Appliance Inlet Overview complete](#)

IEC Appliance inlet C16 0169

[Appliance Inlet further types to 0711](#)



[Appliance Outlet Overview complete](#)

IEC Appliance Outlet F, Screw-on Mounting, Front Side, Solder Terminal 4787

IEC Appliance Outlet F, Snap-in Mounting, Front Side, Solder or Quick-connect Terminal 4788

IEC Appliance Outlet F or H, Screw-on Mounting, Front Side, Solder, PCB or Quick-connect Terminal 5091

IEC Appliance Outlet F or H, Screw-on Mounting, Front Side, Solder or Quick-connect Terminal 5092

[Appliance Outlet further types to 0711](#)



[Connector Overview complete](#)

IEC Connector C15, Rewireable, Straight 0101

IEC Connector C15A, Rewireable, Straight 0102

IEC Connector C15A, Rewireable, Straight 0102-G

IEC Connector C15A, Rewireable, Angled 0112

IEC Connector C13, Rewireable, Angled 4012

[Connector further types to 0711](#)

...

[Power Cord Overview complete](#)



Power Cord with IEC Connector C13, Angled 0311

Power Cord with IEC Connector C13, Angled 3011

Power Cord with IEC Connector C13, Angled 3012

Power Cord with IEC Connector C13, Angled 3013

Power Cord with IEC Connector C13 3020

[Power Cord further types to 0711](#)

...

[Power Supply or Interconnection Cord Overview complete](#)

Divers Power Supply and Interconnection Cords 10 A Kabelverbindung/10 A

[Power Supply or Interconnection Cord further types to 0711](#)