

ST 18/4 – Crimp version

To the versions with screw terminals mentioned so far, which allow the customer to mount the cables, there is an alternative: the crimp version.

It is available in two variations: with single contacts to be mounted with a crimping tool and in a belted version to be used with crimping machines.

crimp contacts 0.75–1.5 mm² (strip form)

male contact

strip form 0.75–1.5 mm²

05.544.2000.0

minimum order no. (1 coil) 4000 pcs

loose piece

05.544.2029.0 1000 pcs

female contact

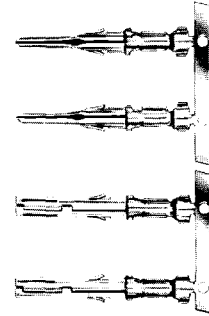
strip form 0.75–1.5 mm²

02.124.2000.0

minimum order no. (1 coil) 4000 pcs

loose piece

02.124.2029.0 1000 pcs



insulating length = 5 mm

crimping tool for contacts 0.5–2.5 mm²

punching tool

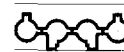
crimping machine see page 6/39

order no. **95.101.0500.0**

order no. **05.502.0300.0**

order no. **95.000.0005.0**

coding: female part male part colour



black

white

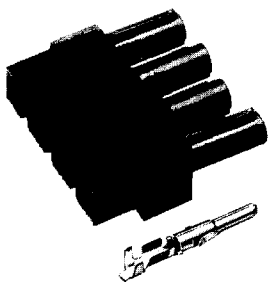
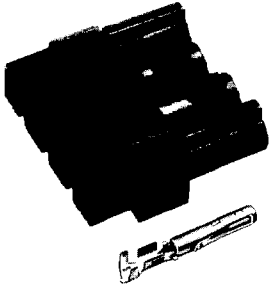
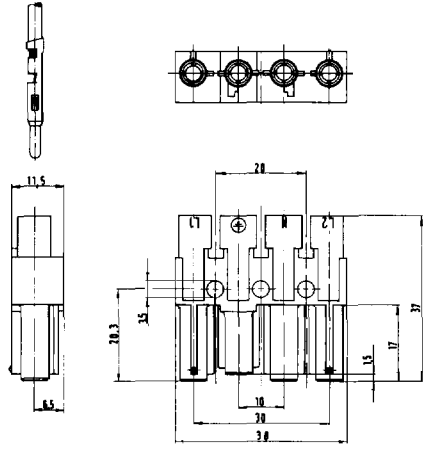
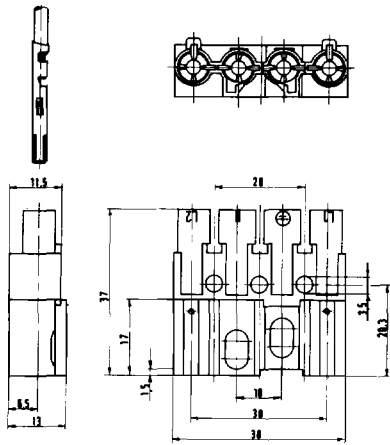


green

**ST 18/4poles
Female part**

**ST 18/4poles
Male part**

230/400 V~, 16 A



female part

black	01.098.3558.1	100
white	01.098.3558.0	100
green	01.098.2058.0	100

male part

black	01.098.3658.1	100
white	01.098.3658.0	100
green	01.098.1958.0	100

crimp contact 0.75–1.5 mm²

female contact: strip form	02.124.2000.0	4000
loose piece	02.124.2029.0	1000

crimp contact 0.75–1.5 mm²

male contact: strip form	05.544.2000.0	4000
loose piece	05.544.2029.0	1000

strain relief with locking device

black	Z7.410.6653.0	100
-------	----------------------	-----

strain relief with locking device

black	Z7.410.6453.0	100
-------	----------------------	-----

ST18/4