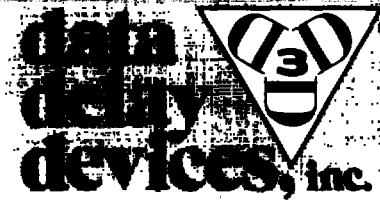


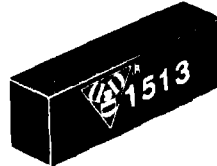
Fixed-SIP Delay Lines

1513 SERIES (HIGH FREQUENCY)



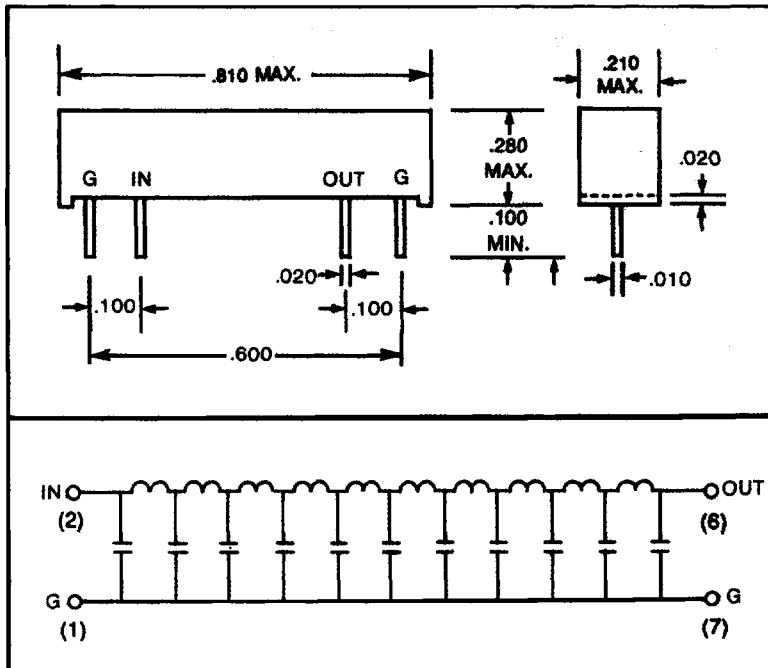
Features:

- Fast rise-time.
- 4-pins single-in-line.
- Clean signal.
- Low profile.
- Thin package.



Specifications:

- Meets or exceeds: MIL-D-23859C.
- Operating temperature: 55°C to +125°C.
- Storage temperature: 55°C to +125°C.
- Temperature coefficient: 100 PPM/°C.
- Dielectric breakdown: 50 Vdc.
- Epoxy encapsulated.
- Distortion (α output: 10% max).
- Rise-time: 1 ns or 20% of T_D (whichever is greater)
- Delay tolerance: 5% or 1 ns whichever is greater



Part No.	Delay (ns)	Impedance Ω
1513-2.5A	2.5	50
1513-5A	5	50
1513-10A	10	50
1513-15A	15	50
1513-20A	20	50
1513-25A	25	50
1513-30A	30	50
1513-40A	40	50
1513-50A	50	50
1513-60A	60	50
1513-70A	70	50
1513-80A	80	50
1513-90A	90	50
1513-100A	100	50
<hr/>		
1513-3.5Y	3.5	75
1513-7.5Y	7.5	75
1513-15Y	15	75
1513-22.5Y	22.5	75
1513-30Y	30	75
1513-37.5Y	37.5	75
1513-45Y	45	75
1513-60Y	60	75
1513-75Y	75	75
1513-90Y	90	75
1513-105Y	105	75
1513-120Y	120	75
1513-135Y	135	75
1513-150Y	150	75
<hr/>		
1513-5B	5	100
1513-10B	10	100
1513-20B	20	100
1513-30B	30	100
1513-40B	40	100
1513-50B	50	100
1513-60B	60	100
1513-80B	80	100
1513-100B	100	100
1513-120B	120	100
1513-140B	140	100
1513-150B	150	100