

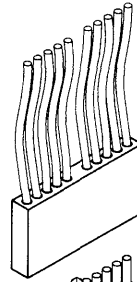
# 1 • ROW Strip Connectors Cable to Cable

.050"

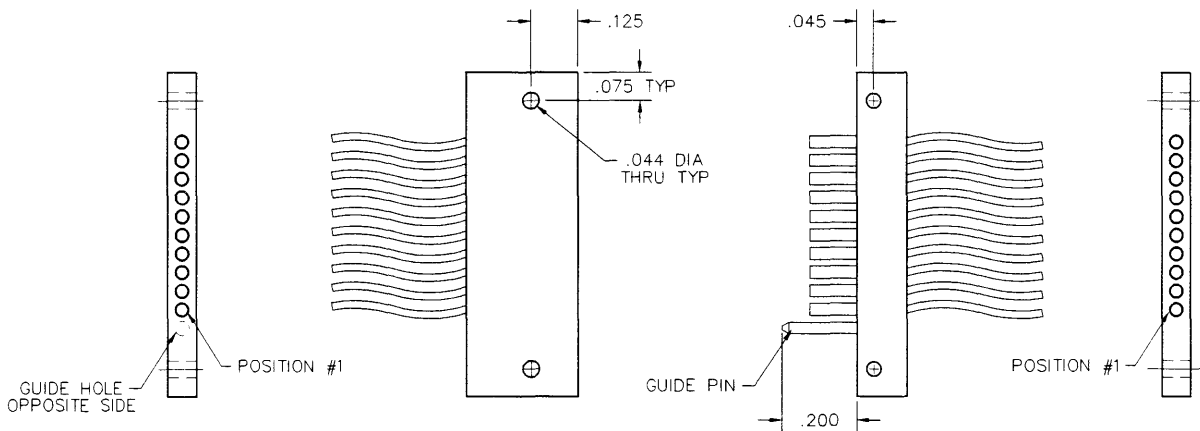
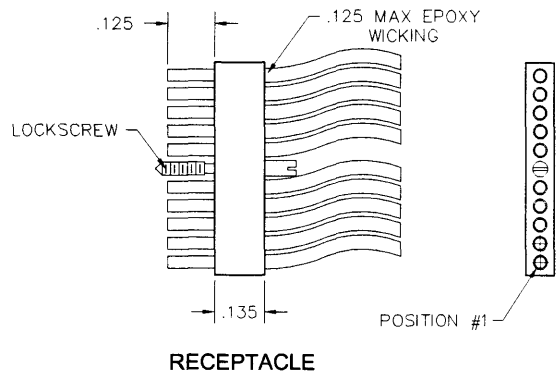
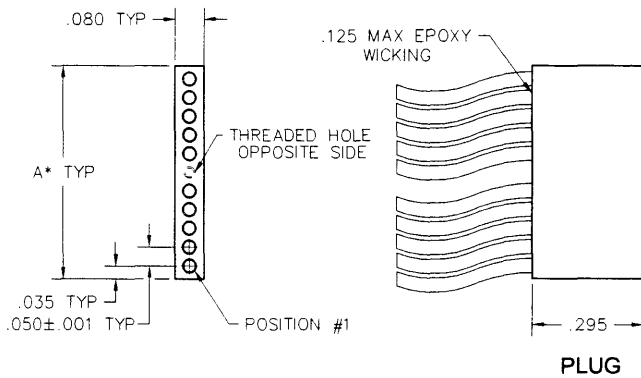
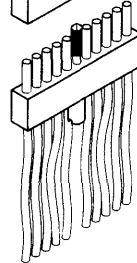
**MA-1**

1 thru 60 Contacts

MA-131-010-161-69WQ



MA-141-010-261-72WQ



**OPTIONAL MOUNTING HOLES & GUIDE PIN**

**DIMENSIONS**

To determine connector length (Dim "A"):

Multiply the number of contact cavities in one row by .050"	_____	"
Add fixed end lengths (constant)	_____	0.02"
Add .150" for each mounting hole	_____	"
Total Length:	_____	"

Notes:  
Length over 2" may require support to insure alignment.  
When using one lock screw, use centermost available hole.  
\* = Maximum length is 3.020". Maximum number of contacts must be reduced to accommodate hardware and mounting holes.

PLUG: MA-131-010-161-69WQ  
 RECEPTACLE: MA-141-010-261-72WQ  
 XX-XXX-XXX-XXX-XXXX

PLUG		RECEPTACLE	
<b>SERIES</b>			
MA .050" Microminiature Strip Connector		MA .050" Microminiature Strip Connector	
<b>BODY</b>			
1 1-Row		1 1-Row	
BODY STYLE: (Material: Polyphenylene sulfide)		BODY STYLE: (Material: Polyphenylene sulfide)	
11 Plug, straight, with mounting holes		21 Receptacle, straight, with mounting holes	
31 Plug, straight, without mounting holes		41 Receptacle, straight, without mounting holes	
<b>SIZE</b>			
XXX Number of contacts (001 - 060)		XXX Number of contacts (001 - 060)	
Note: Maximum number of contacts is reduced when using hardware or mounting holes. See dimension chart on M-11.			
<b>CONTACTS</b>			
TYPE CONTACTS/TERMINATIONS:		TYPE CONTACTS/TERMINATIONS:	
11 Pin, straight, solder cup		21 Socket, straight, solder cup	
14 Pin, straight, .500" pigtails (.018 dia)		24 Socket, straight, .500" pigtails (.018 dia)	
15 Pin, straight, 1.000" pigtails (.018 dia)		25 Socket, straight, 1.000" pigtails (.018 dia)	
16 Pin, straight, crimped wire		26 Socket, straight, crimped wire	
PLATING OPTIONS:		PLATING OPTIONS:	
1 50 $\mu$ " Au contacts (crimp wire)		1 50 $\mu$ " Au contacts (crimp wire)	
3 50 $\mu$ " Au contacts: 10 $\mu$ " Au terminations (solder cup, pigtail)		3 50 $\mu$ " Au contacts: 10 $\mu$ " Au terminations (solder cup, pigtail)	
5 50 $\mu$ " Au contacts; 100 $\mu$ " Sn terminations (pigtail)		5 50 $\mu$ " Au contacts; 100 $\mu$ " Sn terminations (pigtail)	
<b>HARDWARE</b>			
STYLE OF HARDWARE:		STYLE OF HARDWARE:	
00 None		00 None	
01-49 Latch box, side mounted (cavity number location) See page M-19		01-49 Latch spring, side mounted (cavity number location) See page M-19	
50 Latch boxes (two end cavities). See page M-19		51 Latch springs (two end cavities). See page M-19	
64 One guide hole (centered)*		61 One guide pin (centered)*	
65 One guide hole (position #1)		62 One guide pin (position #1)	
66 One guide hole (end cavity opposite position #1)		63 One guide pin (end cavity opposite position #1)	
68 Two guide holes (two end cavities)		67 Two guide pins (two end cavities)	
69 One threaded hole (centered)*		72 One lockscrew (centered)*	
HX One guide hole (cavity #2 - #9)		PX One guide pin (cavity #2 - #9)	
TX One threaded hole (cavity #2 - #9)		LX One lockscrew (cavity #2 - #9)	
POLARIZATION / WIRING:		POLARIZATION / WIRING:	
00 None		00 None	
WX For wiring codes, see pages M-73 & M-74		WX For wiring codes, see pages M-73 & M-74	

\* = To determine location, divide the total number of contact cavities by two and round to the next whole number.