

Inductors

High Current, Surface Mount



FEATURES

- High energy storage.
- Low resistance.
- Tape and reel packaging for automatic handling.

ELECTRICAL SPECIFICATIONS

Inductance Range: 10 μ H to 220 μ H.
Inductance Tolerance: 20%, 10%.
Operating Temperature: - 20°C to + 80°C.
Storage Temperature: - 25°C to 85°C.
Resistance to Solder Heat: 260°C for 10 seconds.

MATERIALS

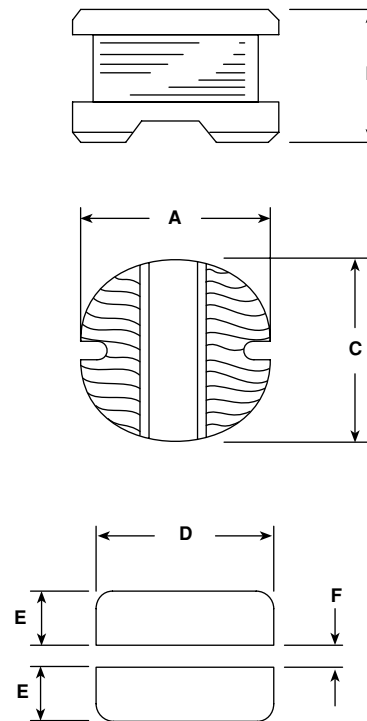
Core: Ferrite.
Wire: Enamelled copper wire.
Terminal: Ag + Ni + Sn/Pb.

STANDARD ELECTRICAL SPECIFICATIONS

INDUCTANCE (μ H)	TEST FREQUENCY L	DCR MAXIMUM (Ohms)	RATED DC CURRENT* (A)
10.0	2.52MHz	0.10	1.44
12.0	2.52MHz	0.12	1.40
15.0	2.52MHz	0.14	1.30
18.0	2.52MHz	0.15	1.23
22.0	2.52MHz	0.18	1.11
27.0	2.52MHz	0.20	0.97
33.0	2.52MHz	0.23	0.88
39.0	2.52MHz	0.32	0.80
47.0	2.52MHz	0.37	0.72
56.0	2.52MHz	0.42	0.68
68.0	2.52MHz	0.46	0.61
82.0	2.52MHz	0.60	0.58
100.0	1KHz	0.70	0.52
120.0	1KHz	0.93	0.48
150.0	1KHz	1.10	0.40
180.0	1KHz	1.38	0.38
220.0	1KHz	1.57	0.35

*Rated Current: Value obtained when current flows and the temperature has risen 40°C or when DC current flows and the initial value of inductance has fallen by 10%, whichever is smaller.

DIMENSIONS in inches (millimeters)



ORDERING INFORMATION

IDCP-2218	10μH	\pm20%
MODEL	INDUCTANCE VALUE	INDUCTANCE TOLERANCE

A	B	C
0.229 \pm 0.01 [5.8 \pm 0.3]	0.177 \pm 0.01 [4.5 \pm 0.35]	0.205 \pm 0.01 [5.2 \pm 0.3]
D	E	F
0.217 [5.5]	0.085 [2.15]	0.067 [1.7]