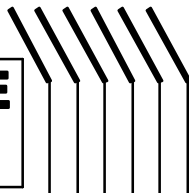


**FOR REFERENCE
ONLY**



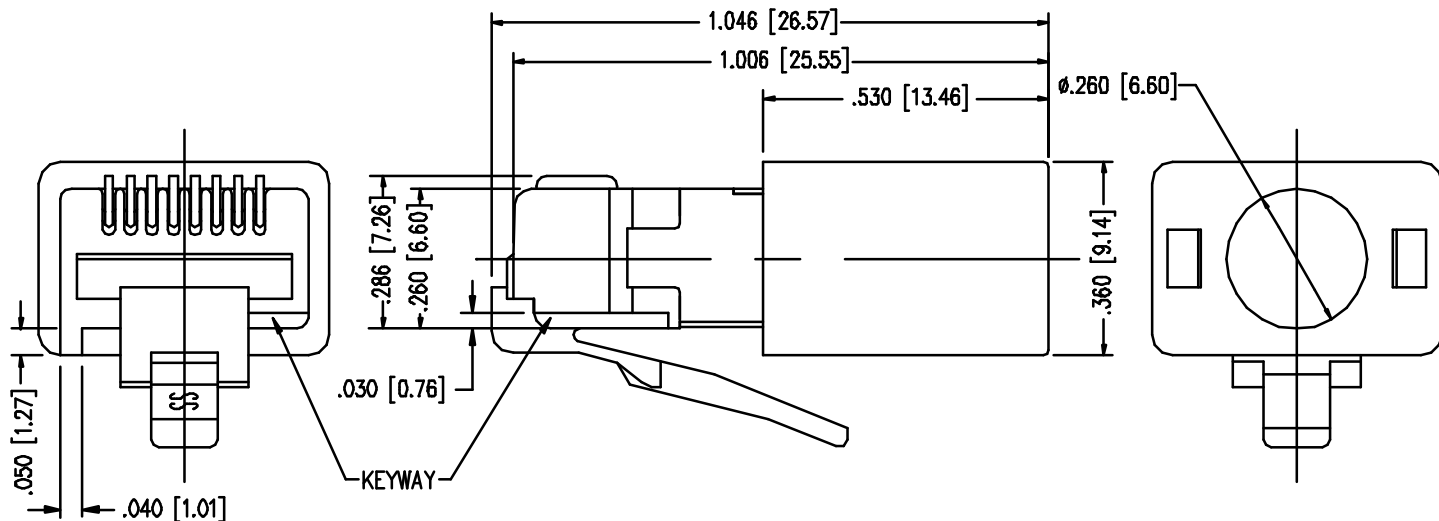
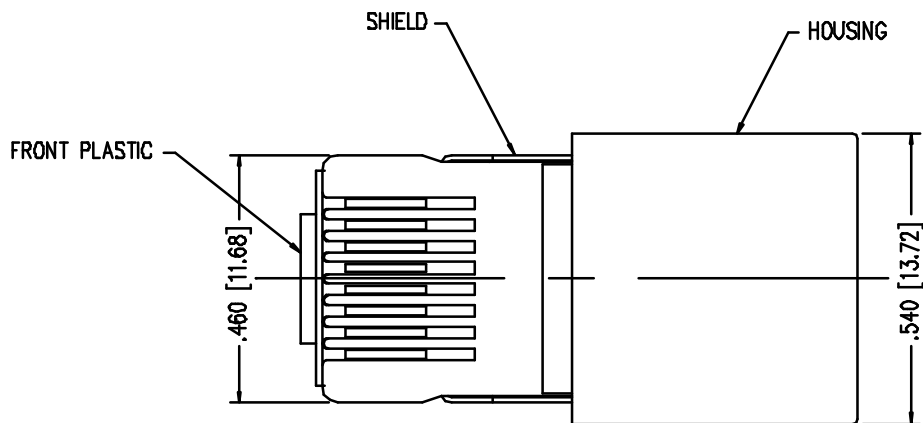
**STEWART
CONNECTOR
SYSTEMS, INC.**

R.D. 2, BOX 2020 GLEN ROCK, PENNSYLVANIA 17327

P.N. 937-SP-360808-RMK4
8 X 8 SHIELDED PLUG

CONSISTING OF:

PRE-INSERTED FRONT & SHIELD ASSY.- P.N. 937-SP-360808-RMK4-FS
HOUSING- P.N. 361010-H
LOAD BAR- P.N. 360808-LB
FERRULE- P.N. F-235-205-L
CONTACT-SEE NOTE



NOTES:

- TOLERANCES COMPLY WITH F.C.C. DIMENSION REQUIREMENTS.
ALL OTHERS $\pm.003 [0.08]$ UNLESS OTHERWISE SPECIFIED.
- DIMENSIONS NOT SHOWN COMPLY WITH F.C.C. REQUIREMENTS
- 937 FOR TINSEL CONDUCTOR