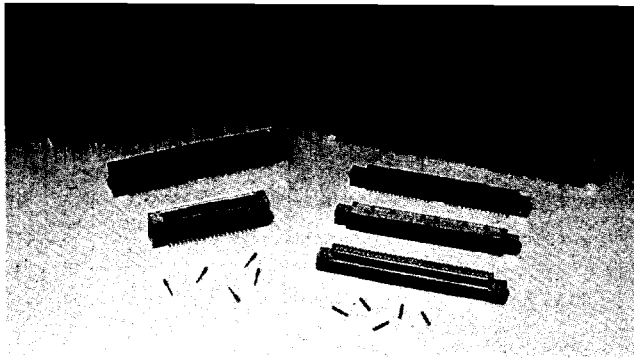


MIL-C-55302

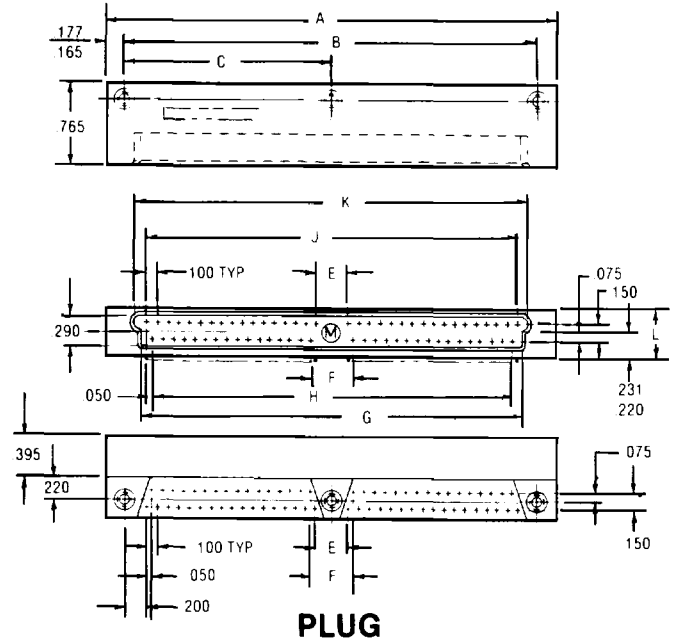
Part Numbers and Dimensions

SERIES 191/192 HI-REL MIL-C-55302 TYPE 2-PIECE CONNECTORS

These two-piece printed circuit board connectors are specifically designed for aerospace, military, high density - high reliability applications. The connectors are available with 41, 66, and 114 positions and are polarized both visually and with pins. Optional keying is provided in the socket insulator and the connectors are supplied with right angle dip solder tails.



Dimensions:



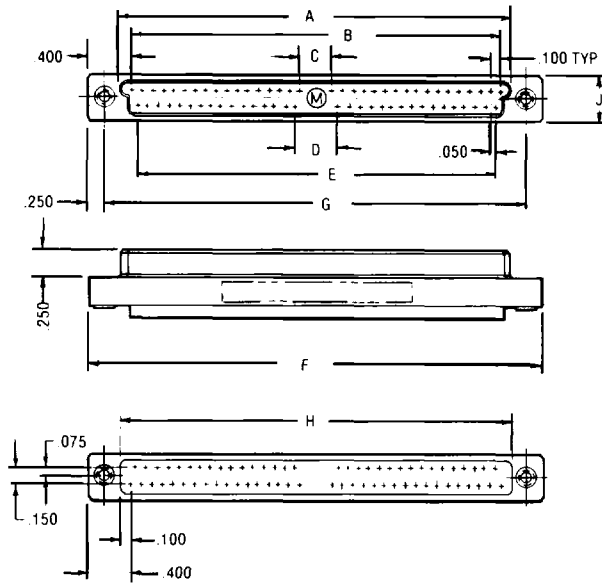
192 SERIES RECEPTACLES

MIL TYPE 55302/82 -	METHODE NO.	NO. OF CONTACTS	TYPE OF TERMINATION	TERMINAL	CONTACTS SUPPLIED	GROMMET STYLE	
						NEO- PRENE	SILF- CONE
N/A	192 - 366 - 0004	66	CRIMP REMOVABLE	141 - 150 - 02	NO	B	
- 10	192 - 366 - 0006	66	WRAP POST	141 - 154 - 01	YES	N/A	
- 19	192 - 314 - 0001	114	CRIMP REMOVABLE	141 - 150 - 02	NO	A	
- 28	192 - 314 - 0002	114	WRAP POST	141 - 154 - 01	YES	N/A	
- 11	192 - 341 - 0001	41	CRIMP REMOVABLE	141 - 150 - 02	NO	A	
- 17	192 - 341 - 0003	41	DIP SOLDER	141 - 152 - 01	YES	N/A	
- 01	192 - 366 - 0009	66	↓	↓	↓		A
- 19	192 - 314 - 0004	114					A
- 11	192 - 341 - 0004	41					A

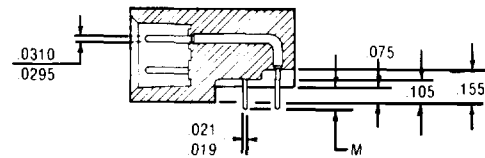
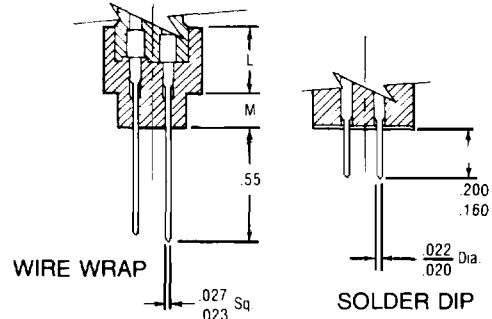
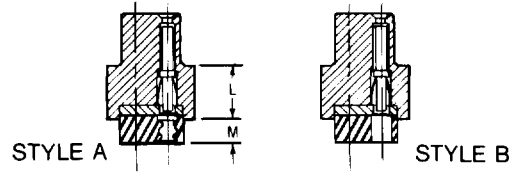
191 SERIES PLUGS

MIL TYPE 55302/83	METHODE NO.	NO. OF CONTACTS	TYPE OF TERMINATION	BOARD TERMINAL FINISH	CONTACTS SUPPLIED	GROMMET STYLE
- 02	191 - 366 - 0004	66	DIP SOLDER	PLATED	YES	N/A
- 01	191 - 366 - 0005	66	↓	SOLDERED	↓	↓
- 11	191 - 314 - 0004	114		PLATED		
- 10	191 - 314 - 0005	114		SOLDERED		
- 7	191 - 341 - 0001	41		PLATED		
- 6	191 - 341 - 0002	41		SOLDERED		

RECEPTACLE CROSS SECTIONS



RECEPTACLE



PLUG CROSS SECTION

DIMENSIONS (Inches)											
A	B	C	D	E	F	G	H	J	K	L	M
3.700	3.500	.300	.400	3.400	4.300	4.000	3.700	.415	.044	.250	.110
↓	↓	↓	↓	↓	↓	↓	↓	↓	↓	↓	.170
6.200	6.000	.400	.500	5.900	6.800	6.500	6.200	.450		.280	.165
↓	↓	↓	↓	↓	↓	↓	↓	↓	↓	↓	N/A
2.200	2.000	N/A	N/A	1.900	2.800	2.500	2.200	.415		.250	.170
↓	↓	↓	↓	↓	↓	↓	↓	↓	↓	↓	.165
3.700	3.500	.300	.400	3.400	4.300	4.000	3.700				N/A
↓	↓	↓	↓	↓	↓	↓	↓	↓	↓	↓	.110
3.700	3.500	.300	.400	3.400	4.300	4.000	3.700				.170
↓	↓	↓	↓	↓	↓	↓	↓	↓	↓	↓	
6.200	6.000	.400	.500	5.900	6.800	6.500	6.200	.450		.280	
↓	↓	↓	↓	↓	↓	↓	↓	↓	↓	↓	
2.200	2.000	N/A	N/A	1.900	2.800	2.500	2.200	.415		.250	
↓	↓	↓	↓	↓	↓	↓	↓	↓	↓	↓	

DIMENSIONS (Inches)											
A	B	C	D	E	F	G	H	J	K	L	M
4.24	3.900	1.950	N/A	.300	.400	3.585	3.400	3.500	3.712	.436	.105
↓	↓	↓	↓	↓	↓	↓	↓	↓	↓	↓	
4.24	3.900	1.950		.300	.400	3.585	3.400	3.500	3.712	.436	
↓	↓	↓	↓	↓	↓	↓	↓	↓	↓	↓	
6.74	6.400	3.200		.400	.500	6.085	5.900	6.000	6.215	.452	
↓	↓	↓	↓	↓	↓	↓	↓	↓	↓	↓	
6.74	6.400	3.200		.400	.500	6.085	5.900	6.000	6.215	.452	
↓	↓	↓	↓	↓	↓	↓	↓	↓	↓	↓	
2.74	2.400	2.400		N/A	N/A	2.085	1.900	2.000	2.212	.436	
↓	↓	↓	↓	↓	↓	↓	↓	↓	↓	↓	
2.74	2.400	2.400		N/A	N/A	2.085	1.900	2.000	2.212	.436	
↓	↓	↓	↓	↓	↓	↓	↓	↓	↓	↓	